

[54] CONCRETE BLOCK

[76] Inventor: Edward L. Hardin, 355 Laverne, Mill Valley, Calif. 94941

[**] Term: 14 Years

[21] Appl. No.: 632,523

[22] Filed: Nov. 17, 1975

[51] Int. Cl. D25-01

[52] U.S. Cl. D25/97

[58] Field of Search 47/33; 256/19; D25/73, D25/74, 75, 76, 77, 78, 79, 80, 81, 84, 85, 86, 87, 88, 89, 90, 91, 92, 93, 94, 95, 97, 98

[56] References Cited

U.S. PATENT DOCUMENTS

D. 2,826,393 3/1958 Miller 47/33

FOREIGN PATENT DOCUMENTS

54,538 10/1949 France D25/97

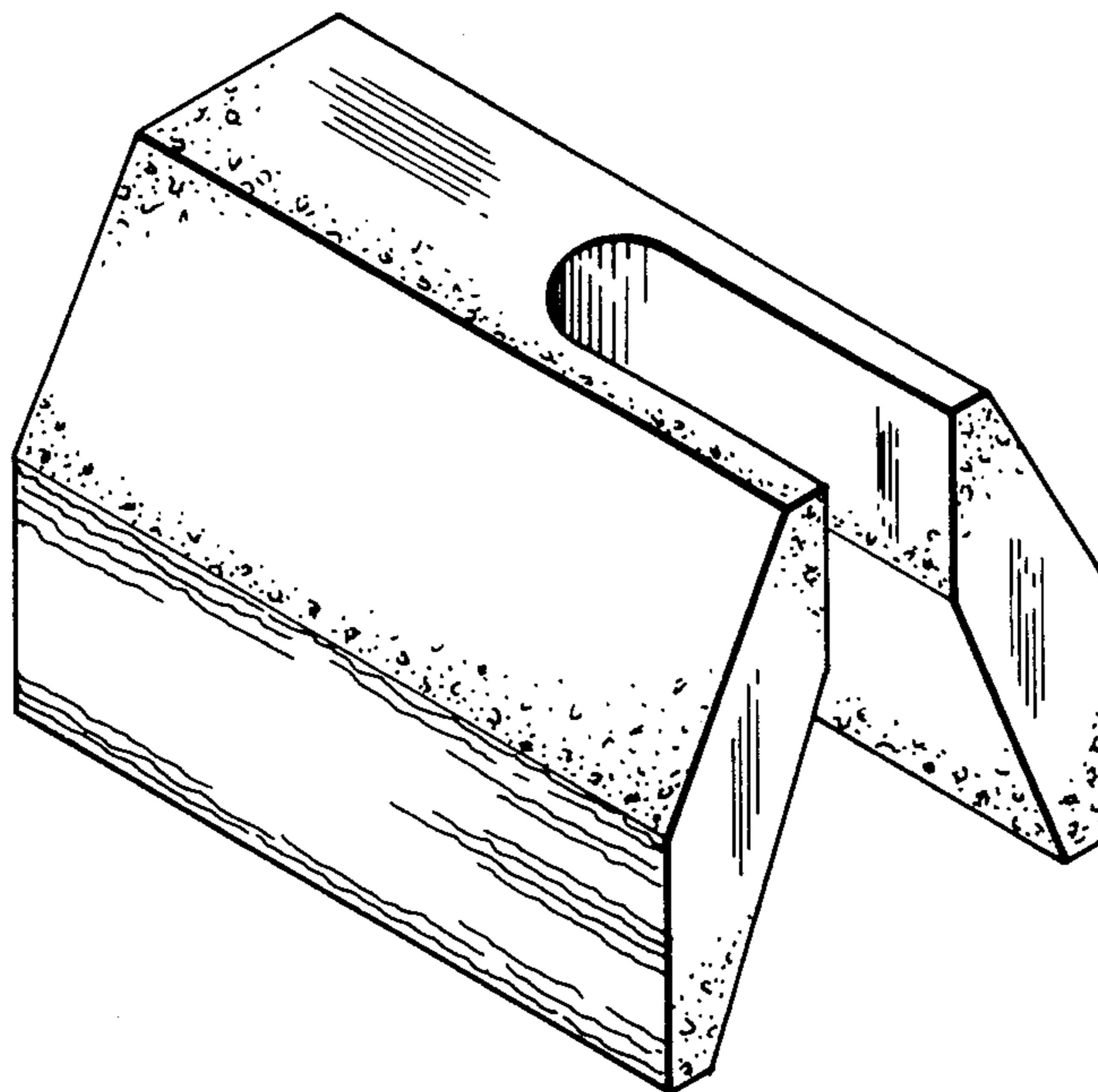
Primary Examiner—A. Hugo Word
Attorney, Agent, or Firm—Manfred M. Warren

[57] CLAIM

The ornamental design for a concrete block, as shown and described.

DESCRIPTION

FIG. 1 is a top perspective view of a concrete block showing my new design;
FIG. 2 is an end elevational view thereof;
FIG. 3 is an opposite end elevational view thereof;
FIG. 4 is a side elevational view thereof, the opposite side being a mirror image thereof;
FIG. 5 is a top plan view thereof; and
FIG. 6 is a bottom plan view thereof.



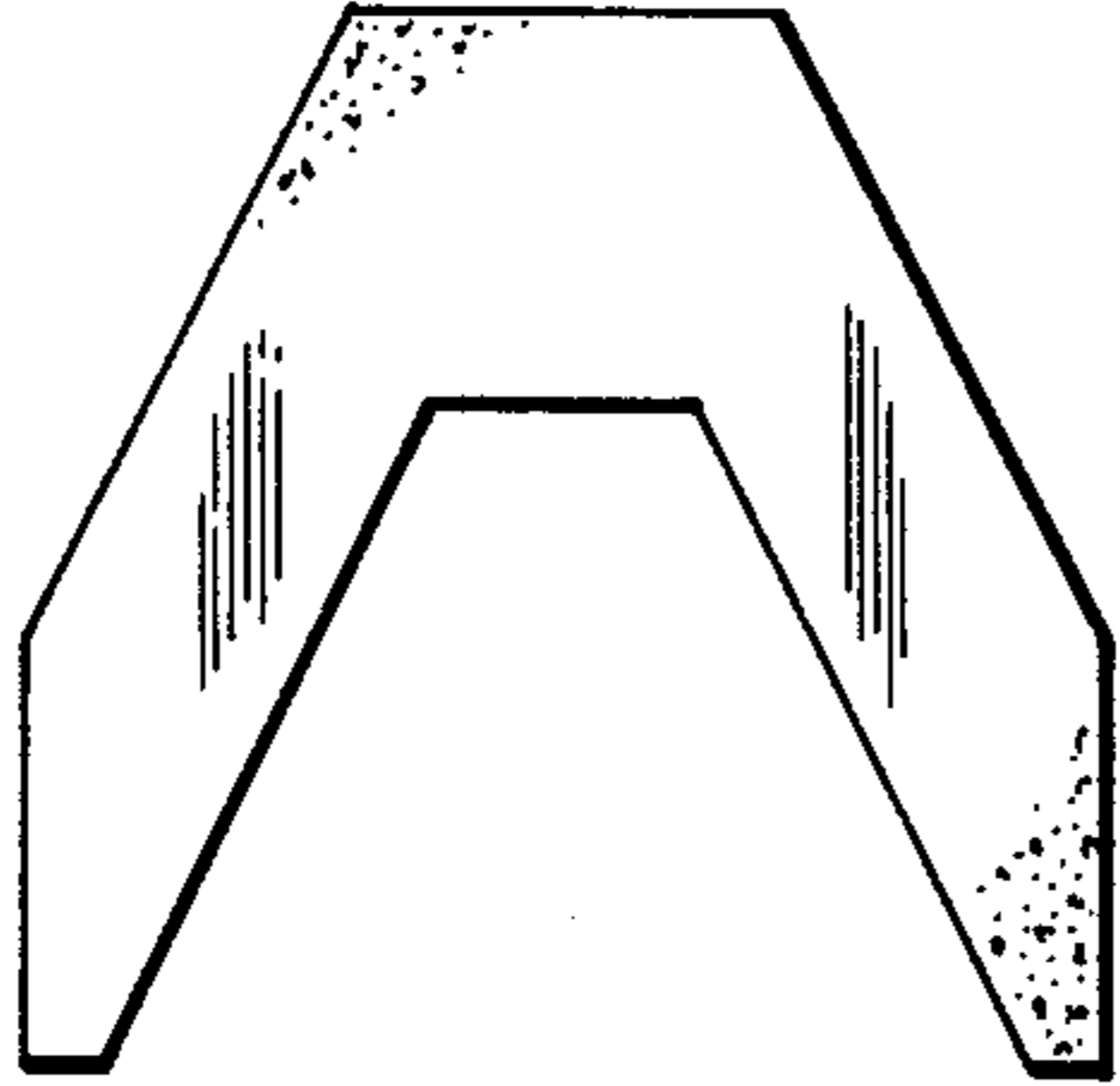


Fig. 3

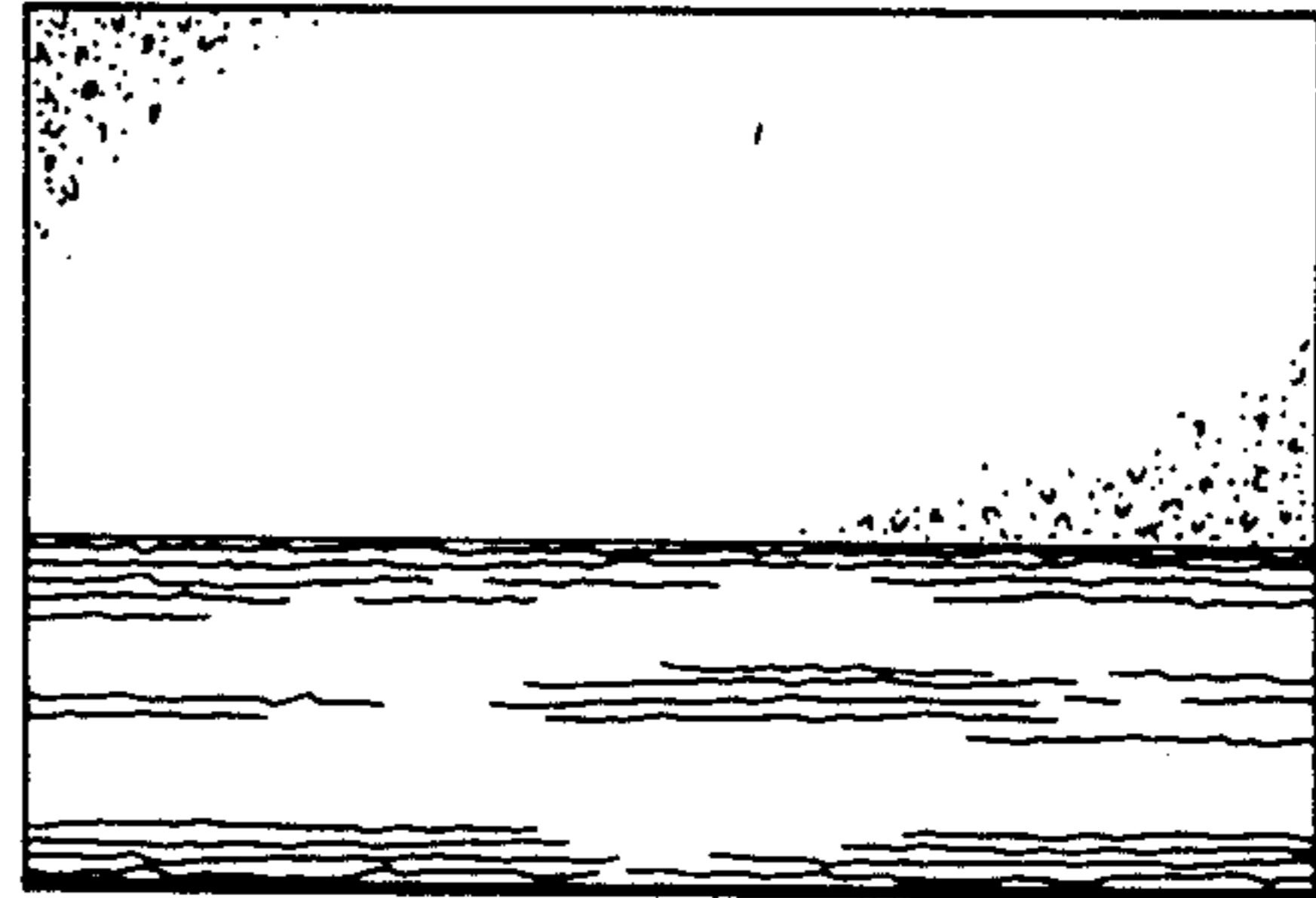


Fig. 4

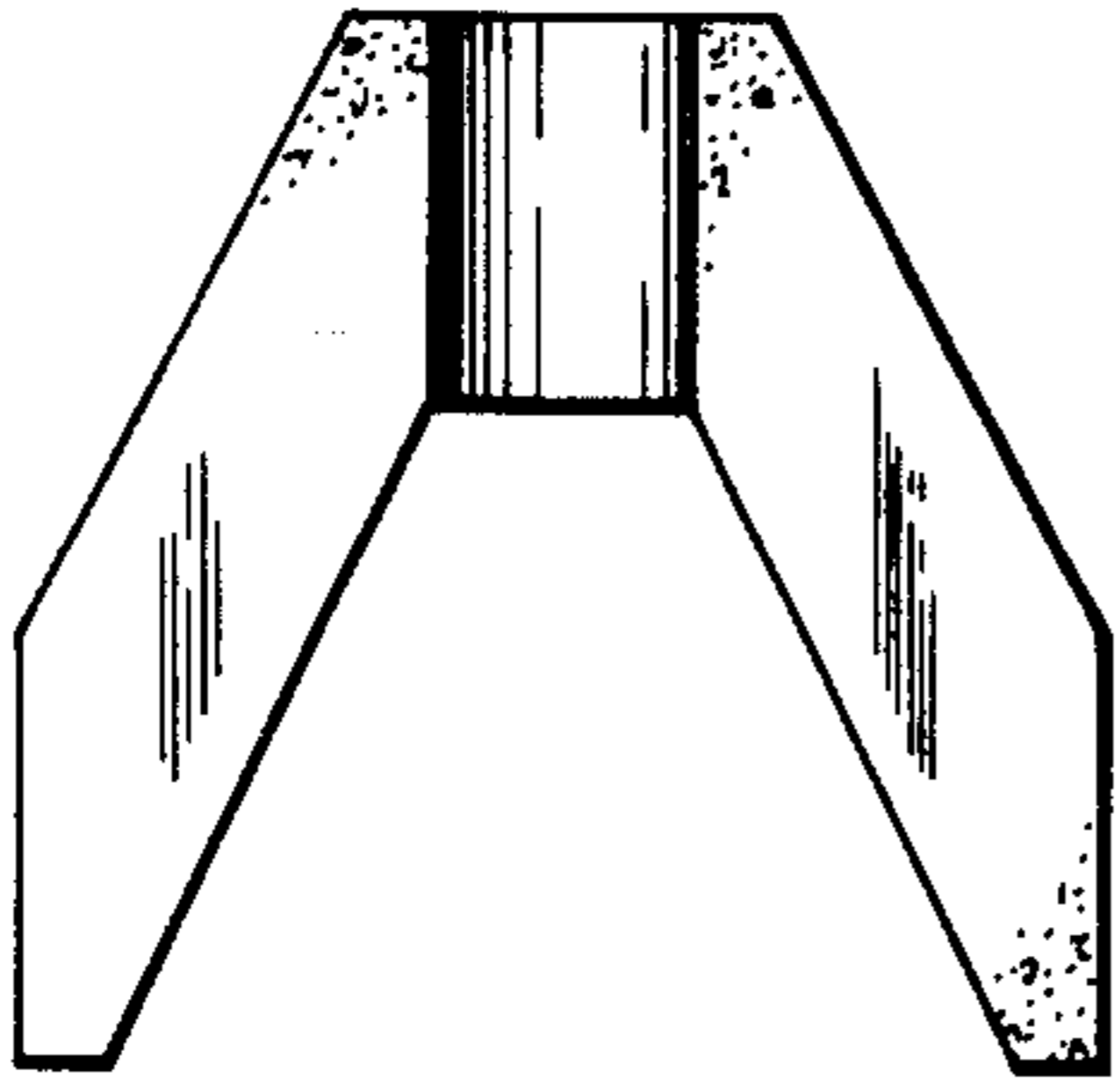


Fig. 2

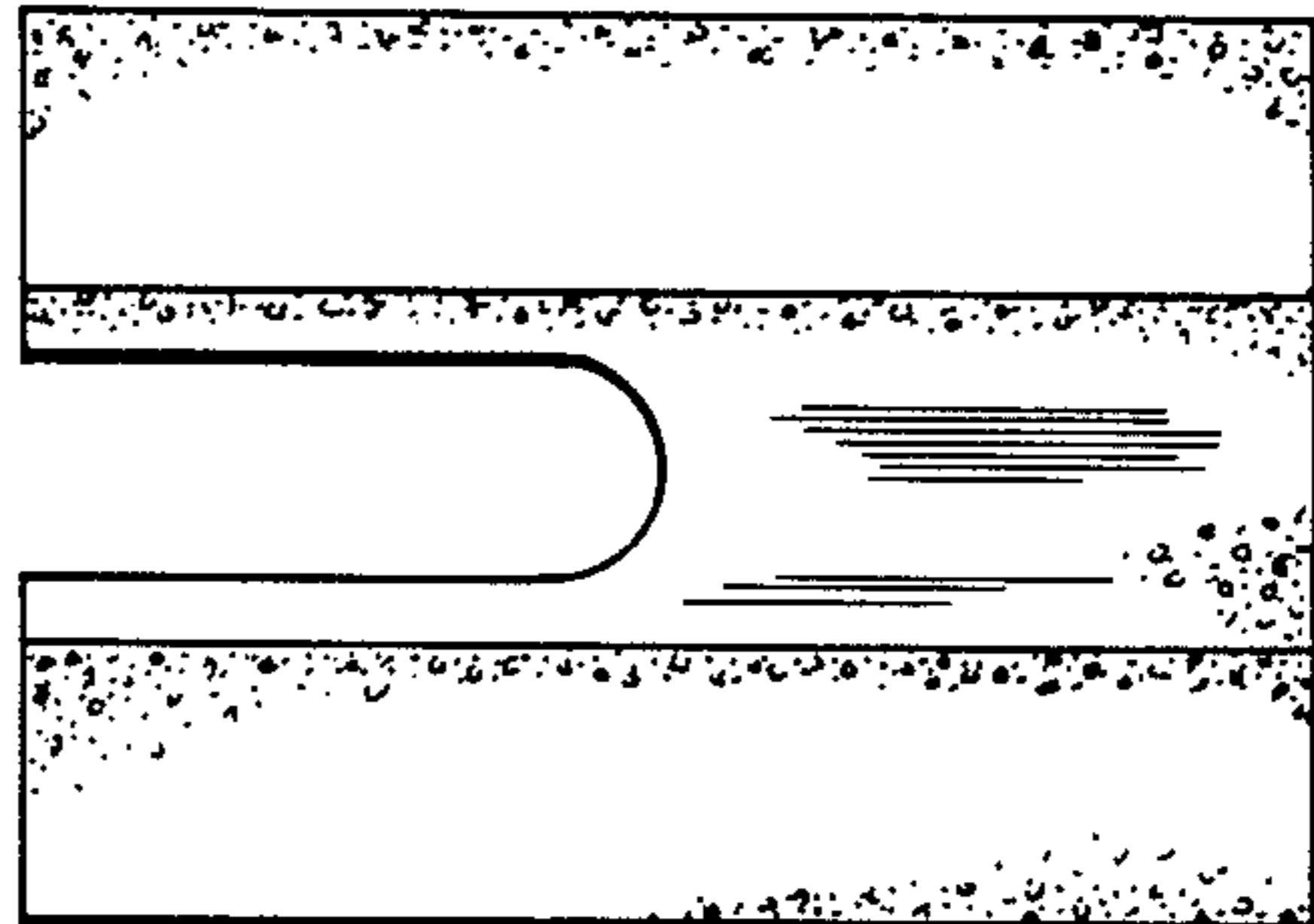


Fig. 5

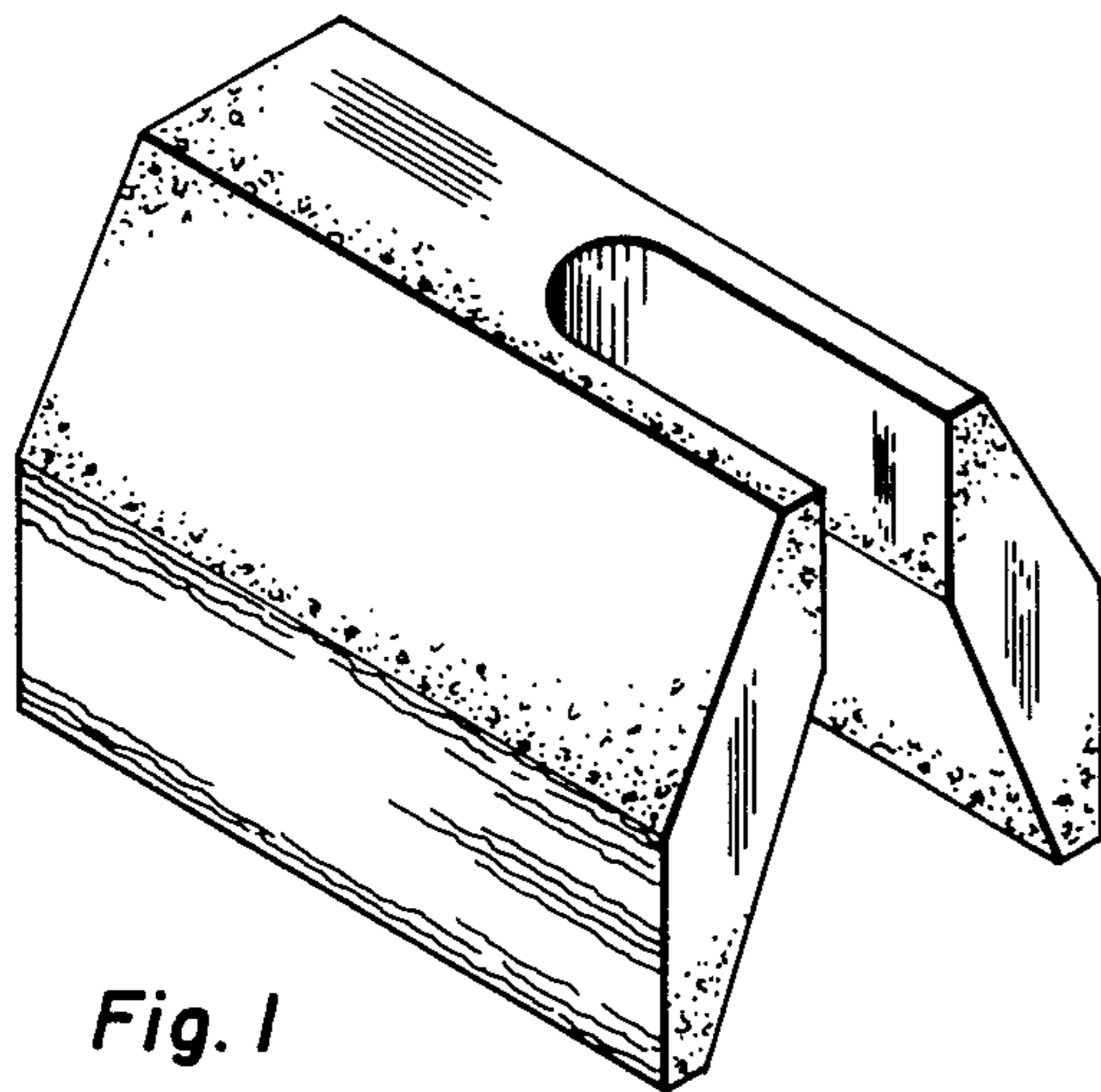


Fig. 1

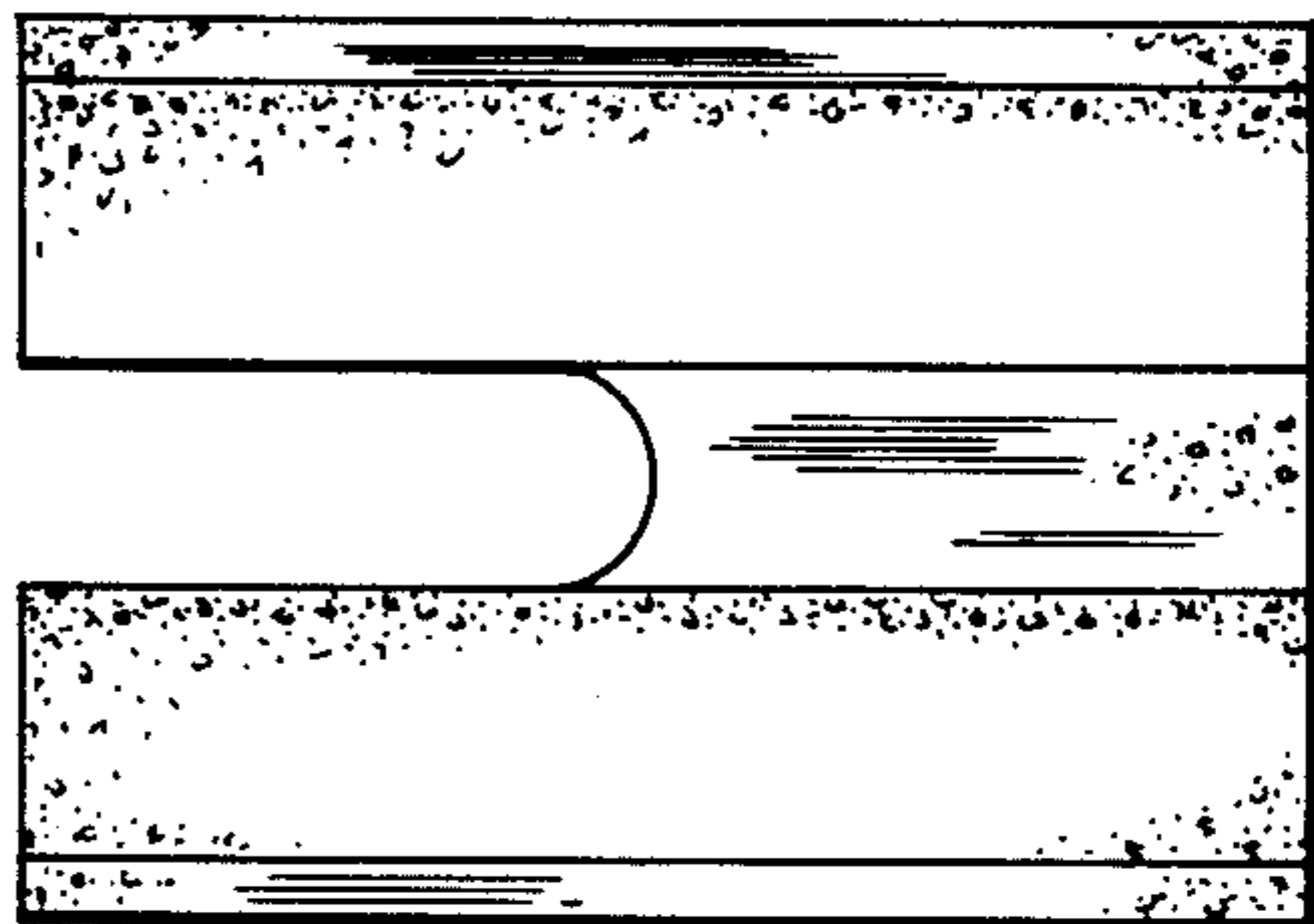


Fig. 6