

[54] CONCRETE STATION

[75] Inventor: Sture Bostrom, Umea, Sweden

[73] Assignee: Aktiebolaget Robacks Mekaniska, Umea, Sweden

[**] Term: 14 Years

[21] Appl. No.: 626,202

[22] Filed: Oct. 28, 1975

[30] Foreign Application Priority Data

Apr. 28, 1975 Sweden 898/75

[51] Int. Cl. D25-03

[52] U.S. Cl. D25/3

[58] Field of Search 425/88; D25/3

[56] References Cited

U.S. PATENT DOCUMENTS

3,999,069 3/1970 Sergle 425/88 X
D. 239,527 4/1976 Bostrom et al. D25/3

OTHER PUBLICATIONS

German Printed Application: Applicant, Compagnia Italiana Forme Acciaio, 2,064,413, Date: July 1971.

Beton- und Stahlbetonbau, Aug. 1972, p. 184, Figure 2 at top left.

Beton- Und Stahlbetonbau, Nov. 1974, p. A-9, plant illustration.

Primary Examiner—A. Hugo Word

Attorney, Agent, or Firm—Eric H. Waters

[57] CLAIM

The ornamental design for a concrete station, as shown.

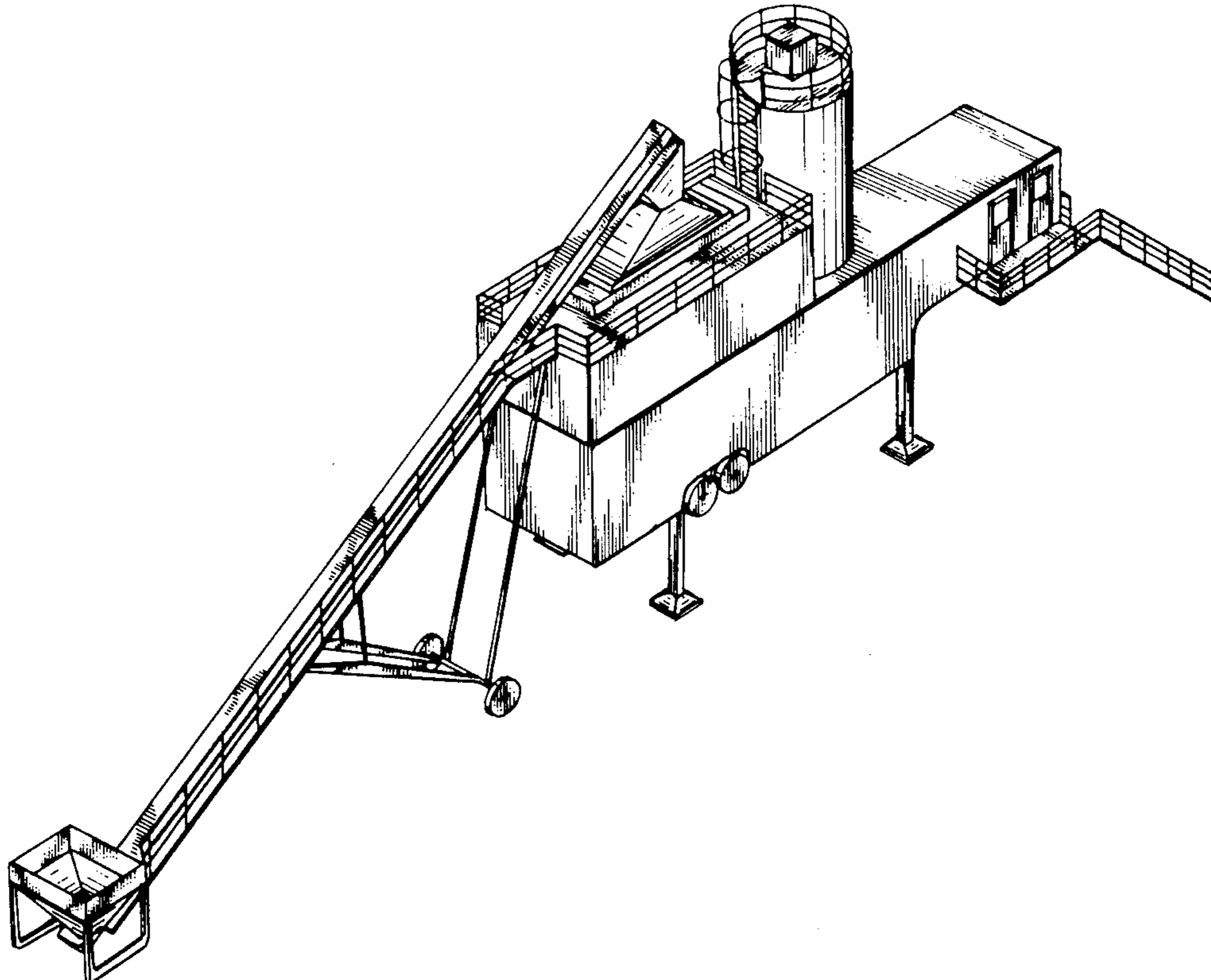
DESCRIPTION

FIG. 1 is a perspective view of the concrete station looking from one side;

FIG. 2 is a perspective view looking from the other side;

FIG. 3 is a perspective view looking from the rear end; and

FIG. 4 is a perspective view looking from the front end.



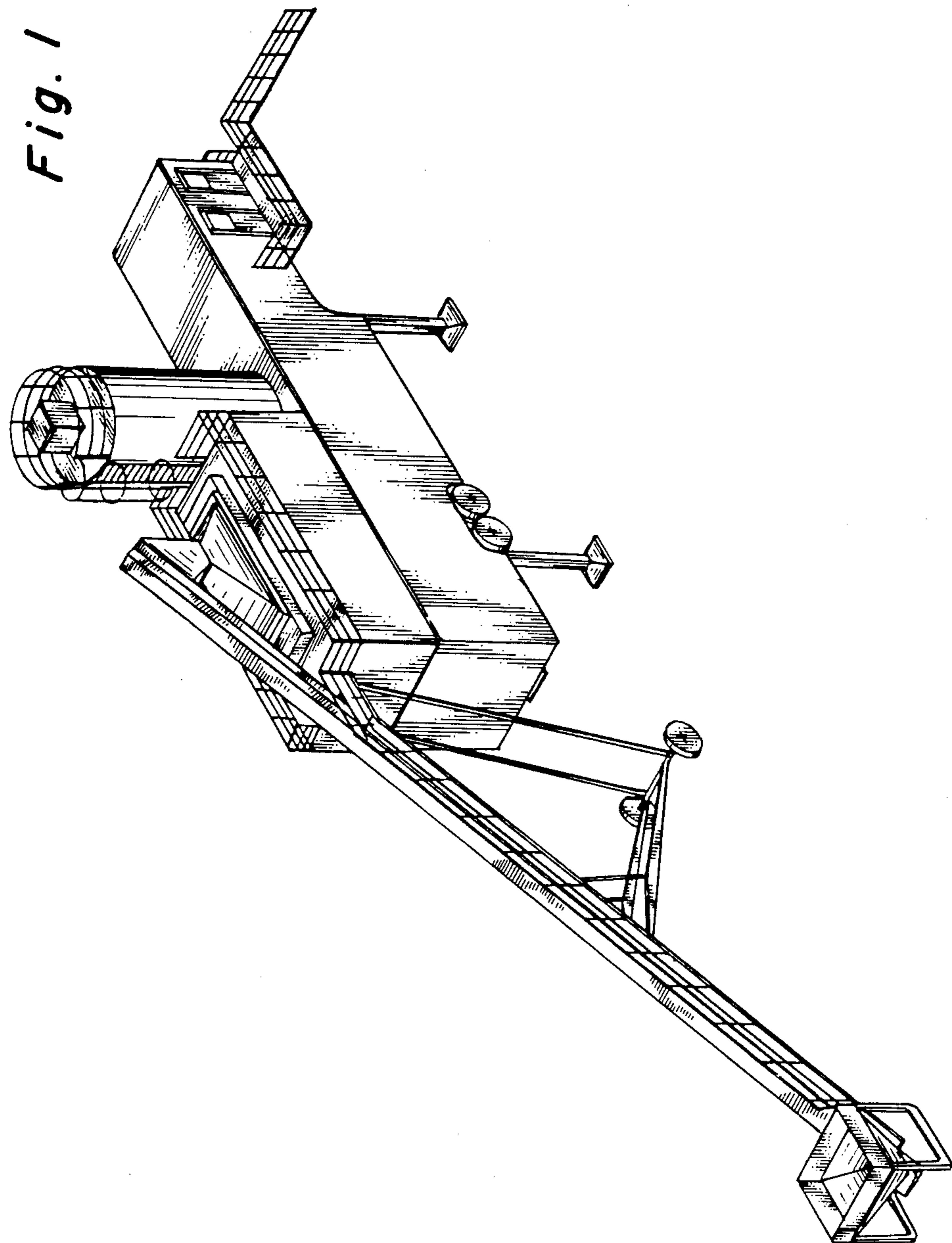


Fig. 2

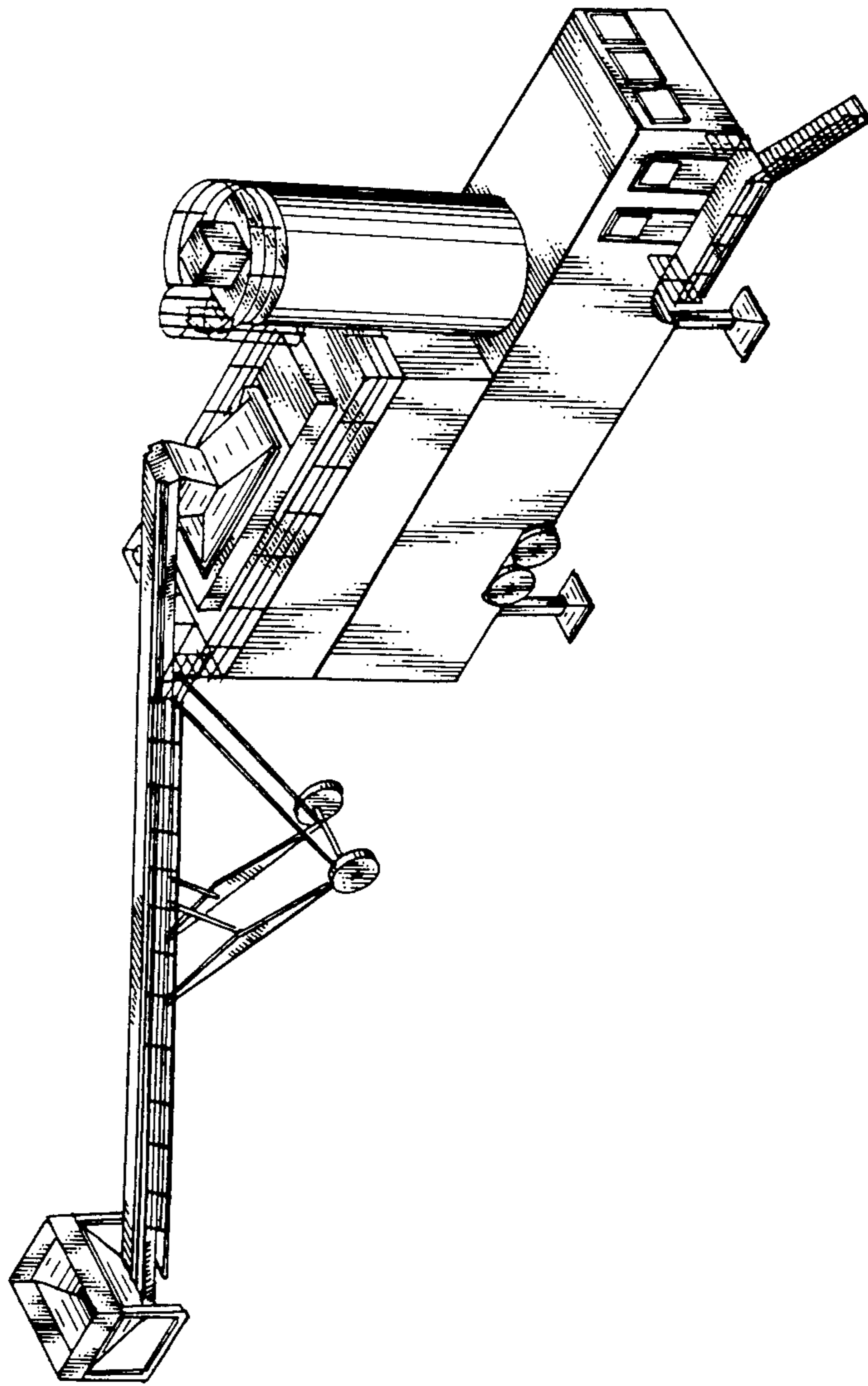


Fig. 3

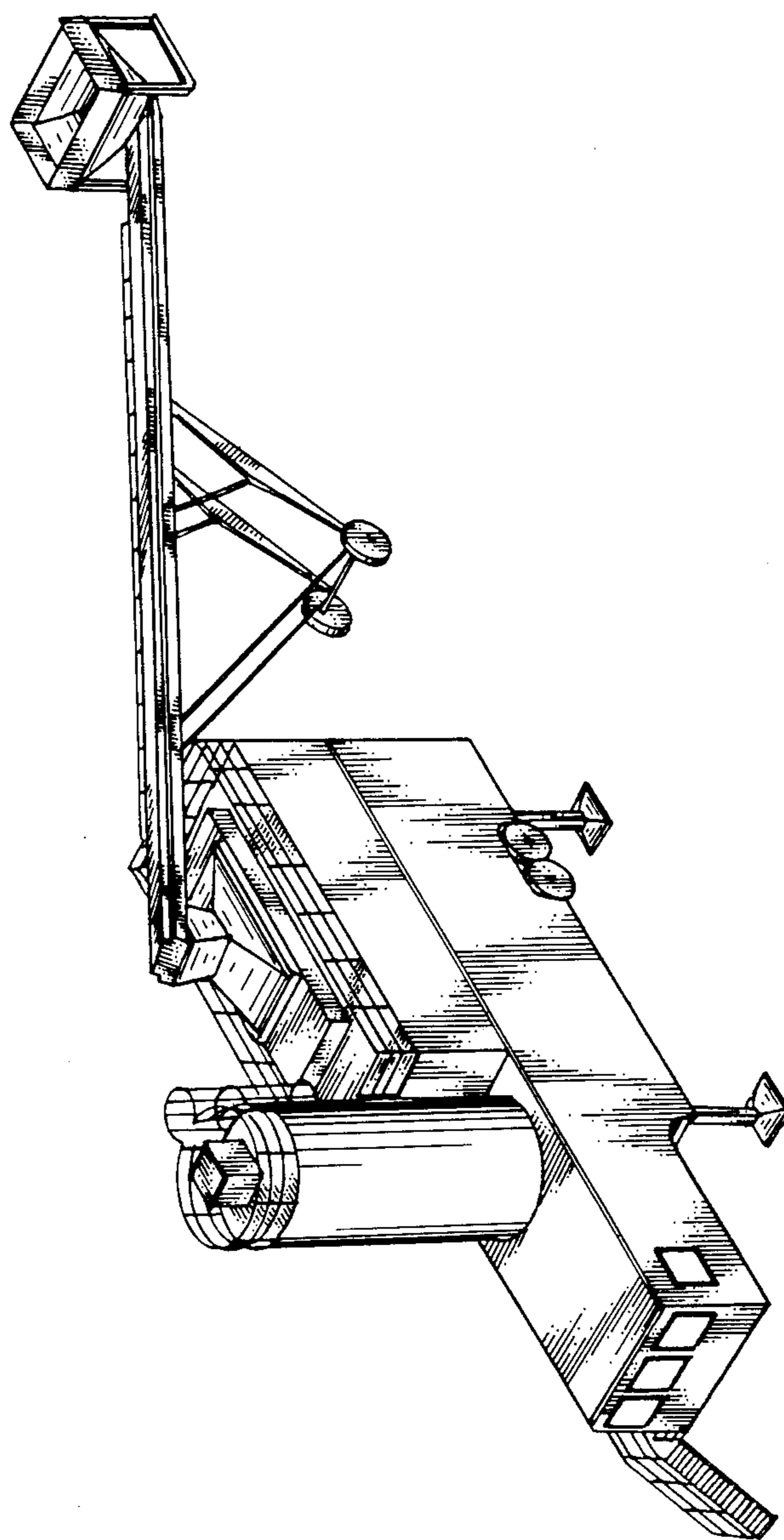


Fig. 4

