

[54] AIR CONDITIONER COVER

[76] Inventor: Walter Mueller, 2275 7th St., East Meadow, N.Y. 11554

[\*\*] Term: 14 Years

[21] Appl. No.: 766,916

[22] Filed: Feb. 9, 1977

[51] Int. Cl. .... D23-04

[52] U.S. Cl. .... D23/141

[58] Field of Search ..... D23/139-167; 98/94 AC; 62/244, 262

[56] References Cited

U.S. PATENT DOCUMENTS

2,780,982	2/1957	Malone et al. ....	98/94 AC
2,826,472	3/1958	Humphner .....	98/94 AC X

2,917,128	12/1959	Tatay .....	98/94 AC X
3,011,424	12/1961	Kohnen .....	98/94 AC
D. 200,678	3/1965	Minick .....	D23/141
D. 206,103	10/1966	Bodett .....	D23/141
D. 224,011	6/1972	Goettl .....	D23/139

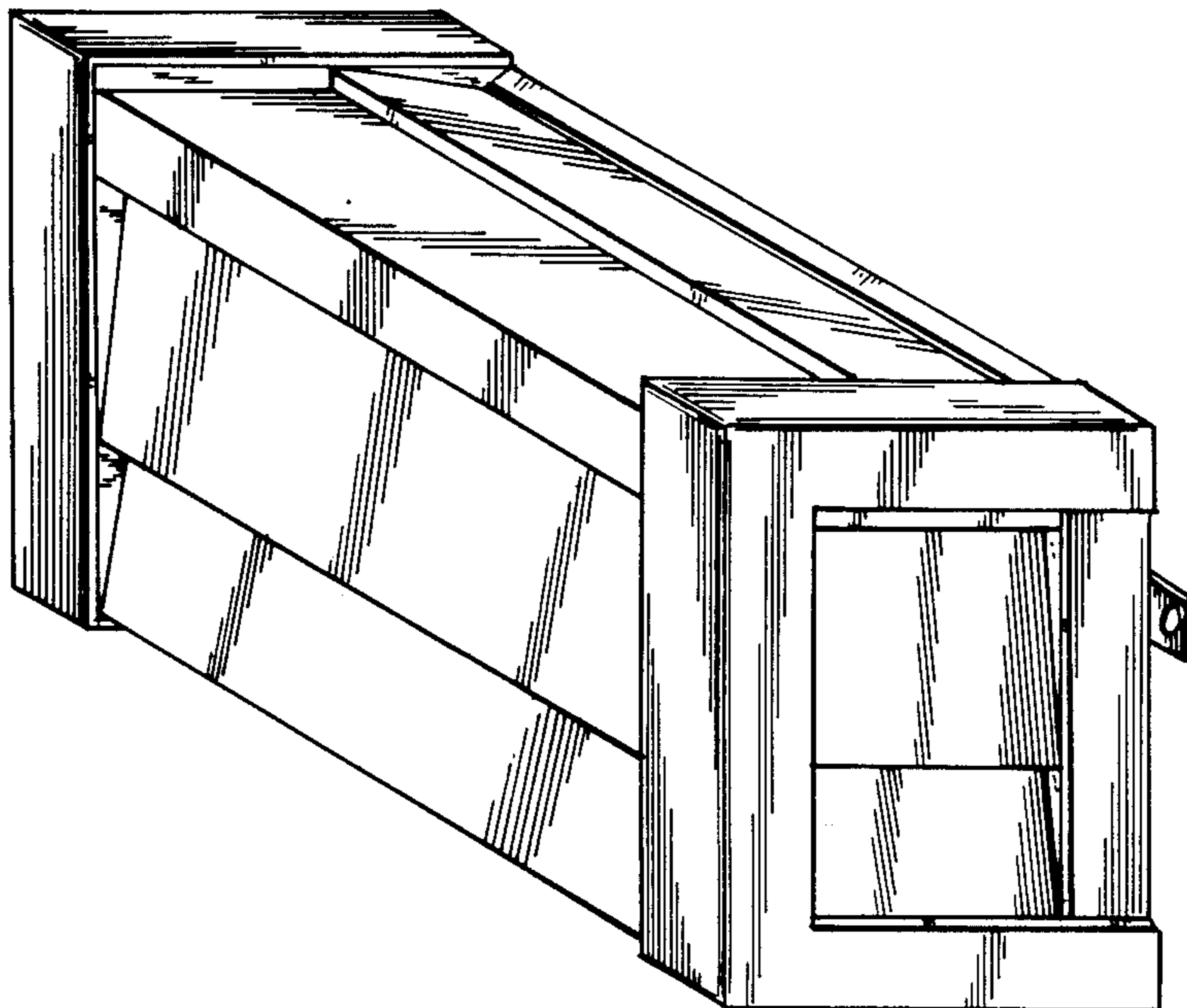
Primary Examiner—James R. Largen  
Attorney, Agent, or Firm—Nicholas J. Garofalo

[57] CLAIM

The ornamental design for an air conditioner cover, as shown.

DESCRIPTION

FIG. 1 is a perspective view taken from the rear, top and right side of an air conditioner cover embodying my new design; FIG. 2 is a front elevational view thereof; and FIG. 3 is a perspective view taken from the rear, bottom and left side thereof.



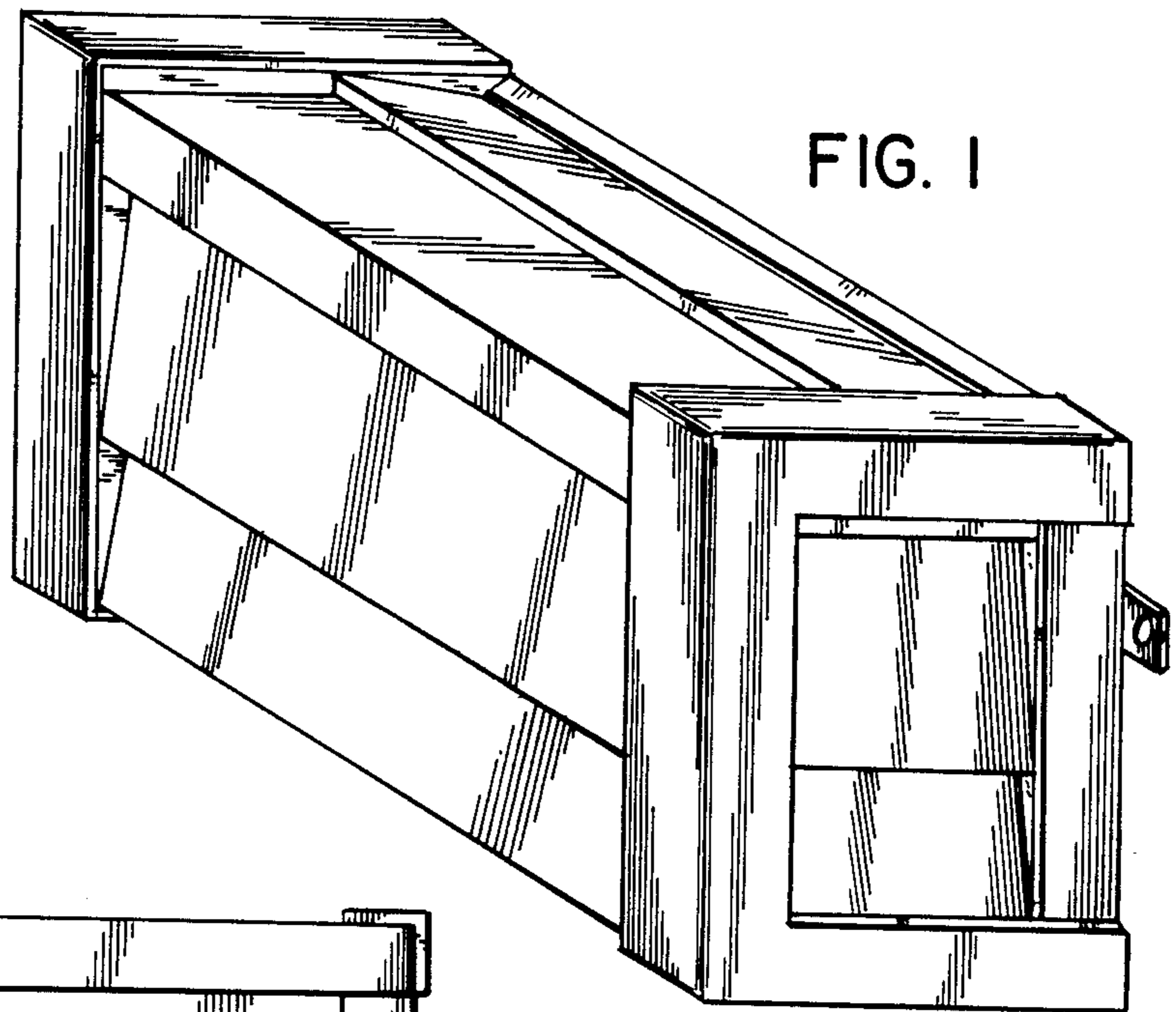


FIG. 1

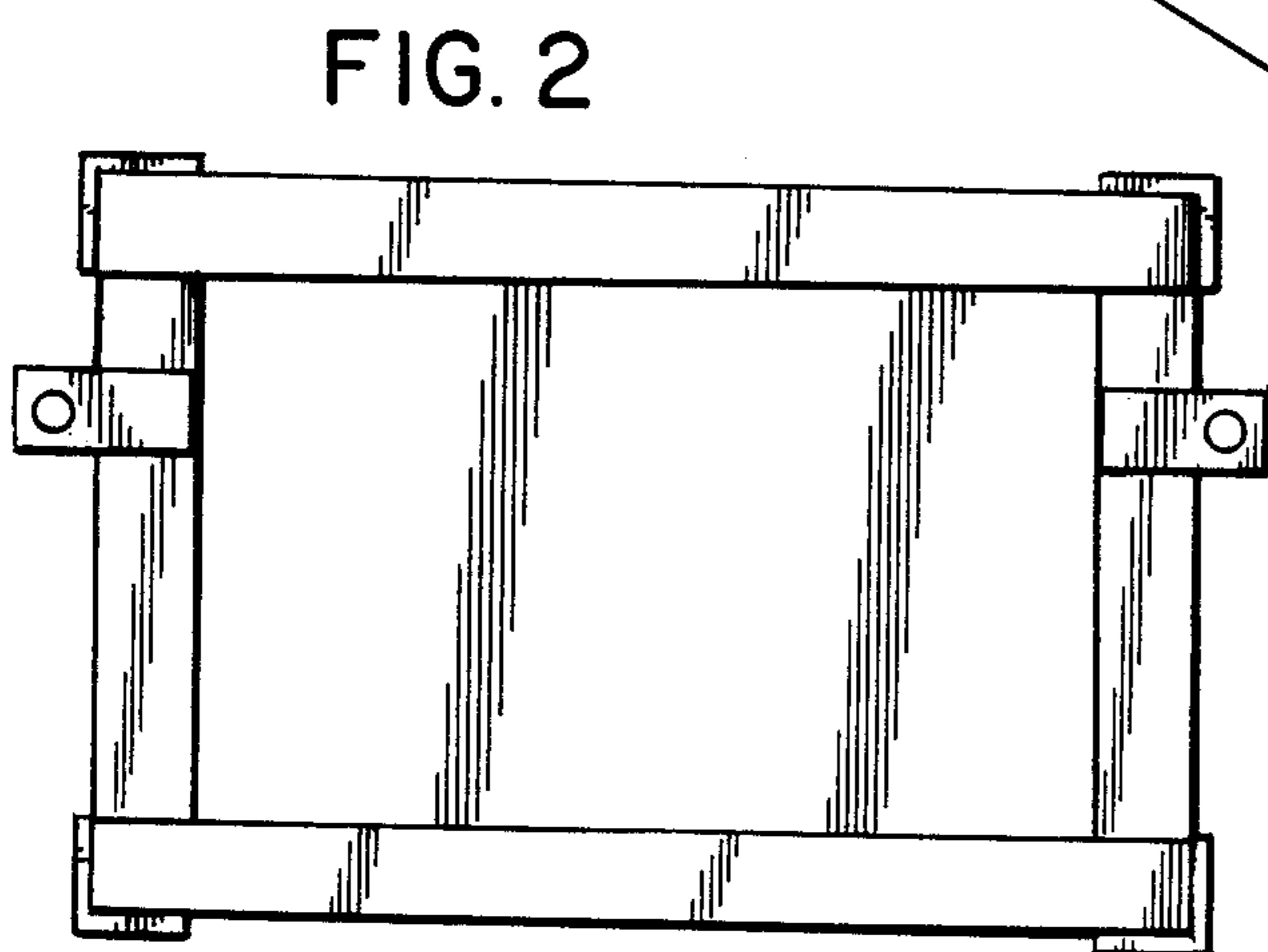


FIG. 2

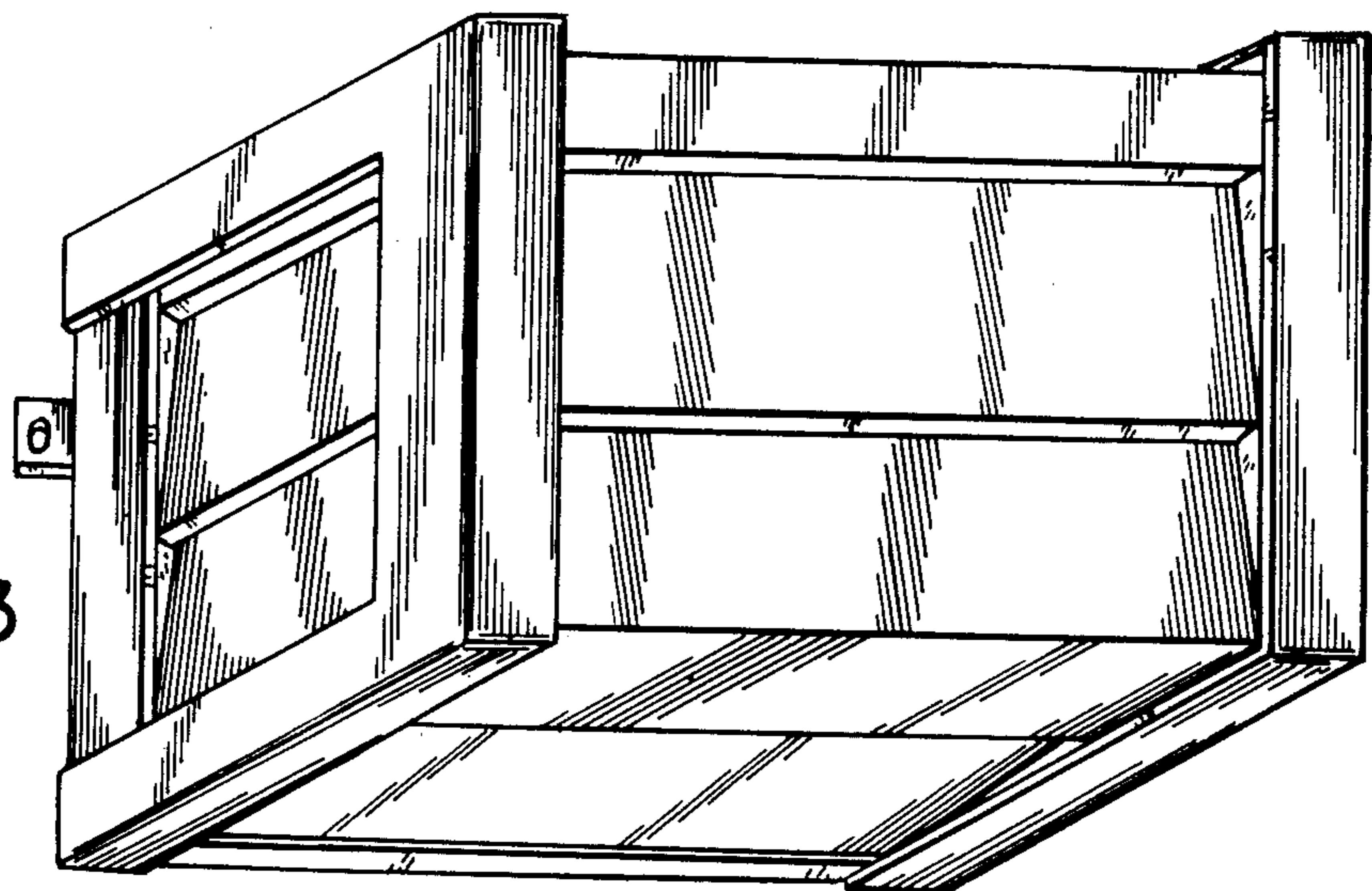


FIG. 3