

# United States Patent [19]

Pansini

[11] **Des. 246,377**

[45] **\*\* Nov. 15, 1977**

[54] **FLOW CONTROL VALVE**  
[76] **Inventor: Andrew L. Pansini, 200 Golden Gate Ave., Belvedere, Calif. 94920**

[\*\*] **Term: 14 Years**

[21] **Appl. No.: 659,222**

[22] **Filed: Feb. 19, 1976**

[51] **Int. Cl. .... D23-01**

[52] **U.S. Cl. .... D23/19**

[58] **Field of Search .... D23/19-39; 134/56 R, 167 R; 137/624.14, 624.15**

[56] **References Cited**

**U.S. PATENT DOCUMENTS**

2,339,101 1/1944 Parker ..... D23/22 X

3,392,738 7/1968 Pansini ..... 134/167 R  
3,779,269 12/1973 Gould ..... 137/624.14  
3,921,654 11/1975 Pansini ..... 134/167 R  
D. 190,895 7/1961 Dillon ..... D23/19

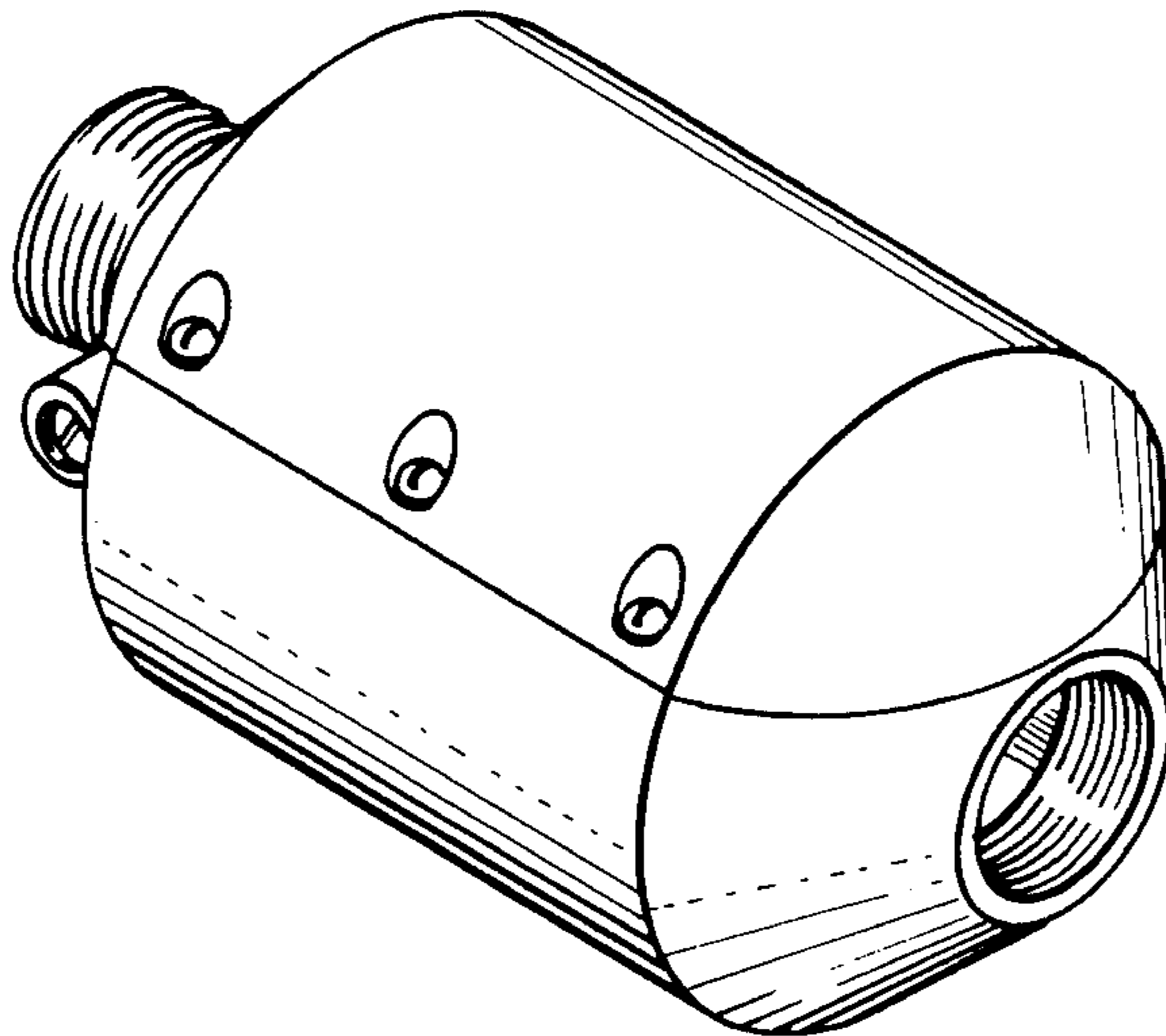
*Primary Examiner—James R. Largen  
Attorney, Agent, or Firm—Frank A. Neal*

[57] **CLAIM**

The design for a flow control valve, as shown.

**DESCRIPTION**

FIG. 1 is a perspective view of a flow control valve showing my new design;  
FIG. 2 is a top plan view thereof;  
FIG. 3 is a left side elevational view thereof;  
FIG. 4 is a front elevational view thereof;  
FIG. 5 is a right side elevational view thereof; and  
FIG. 6 is a bottom plan view thereof.



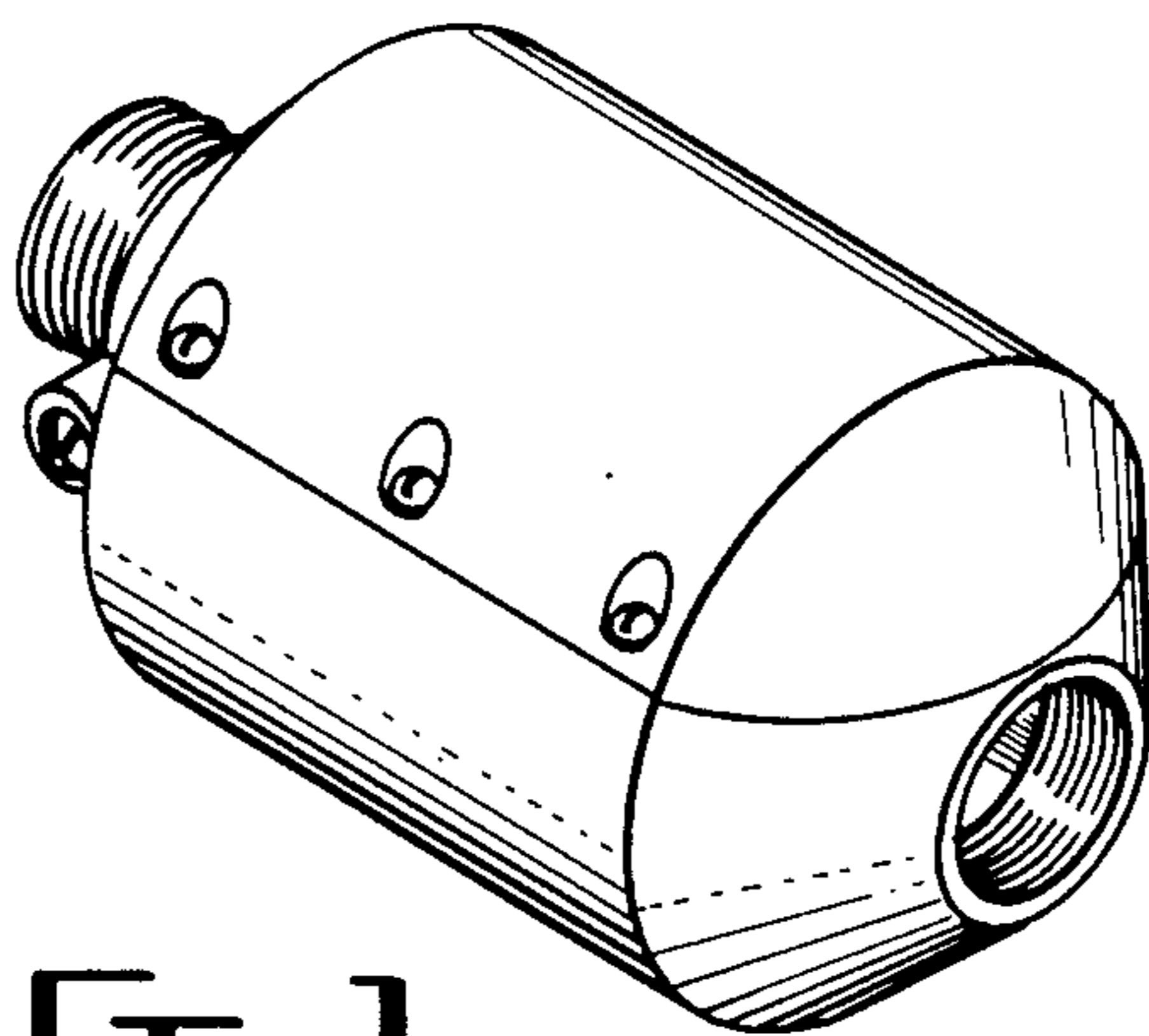


FIG. 1.

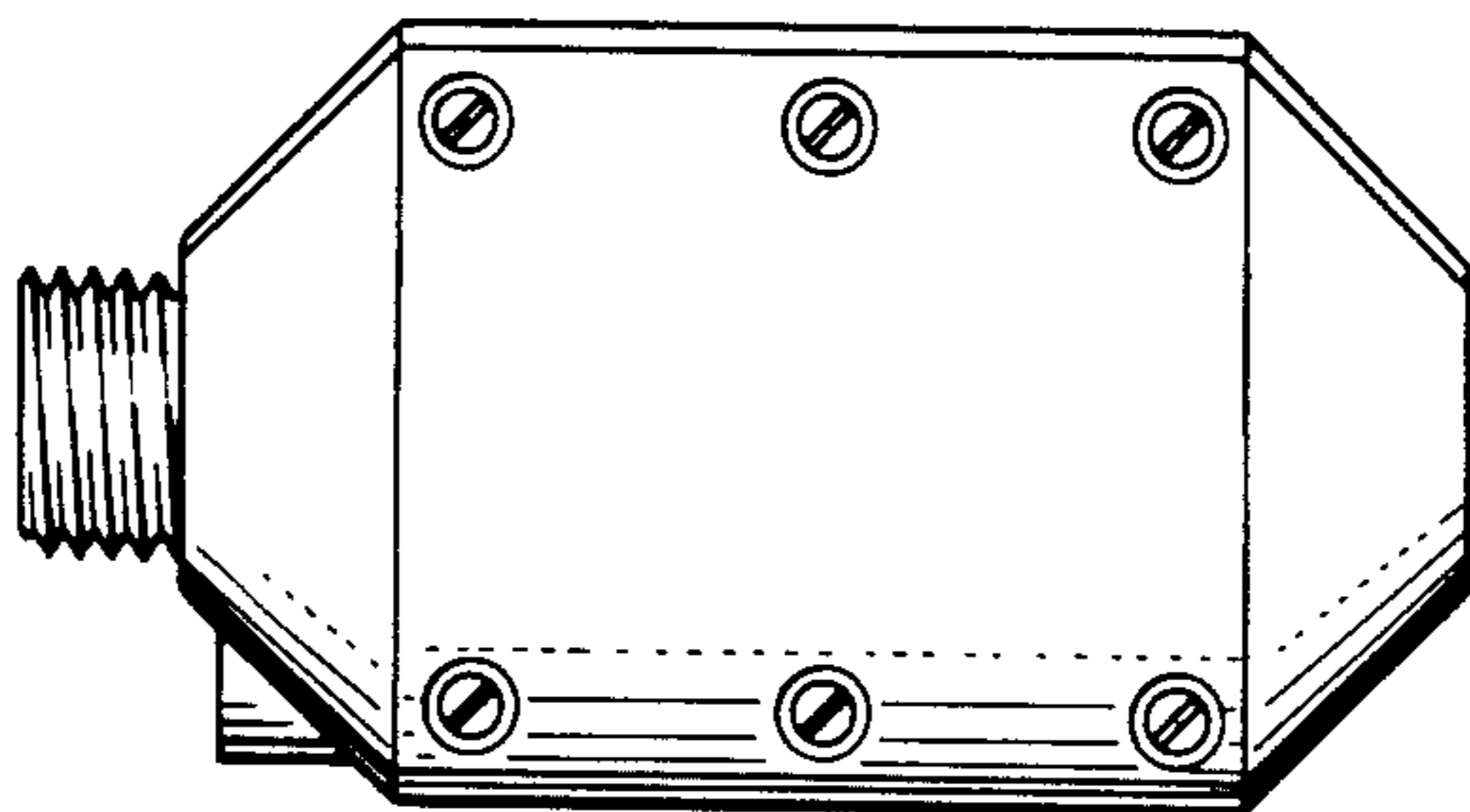


FIG. 2.

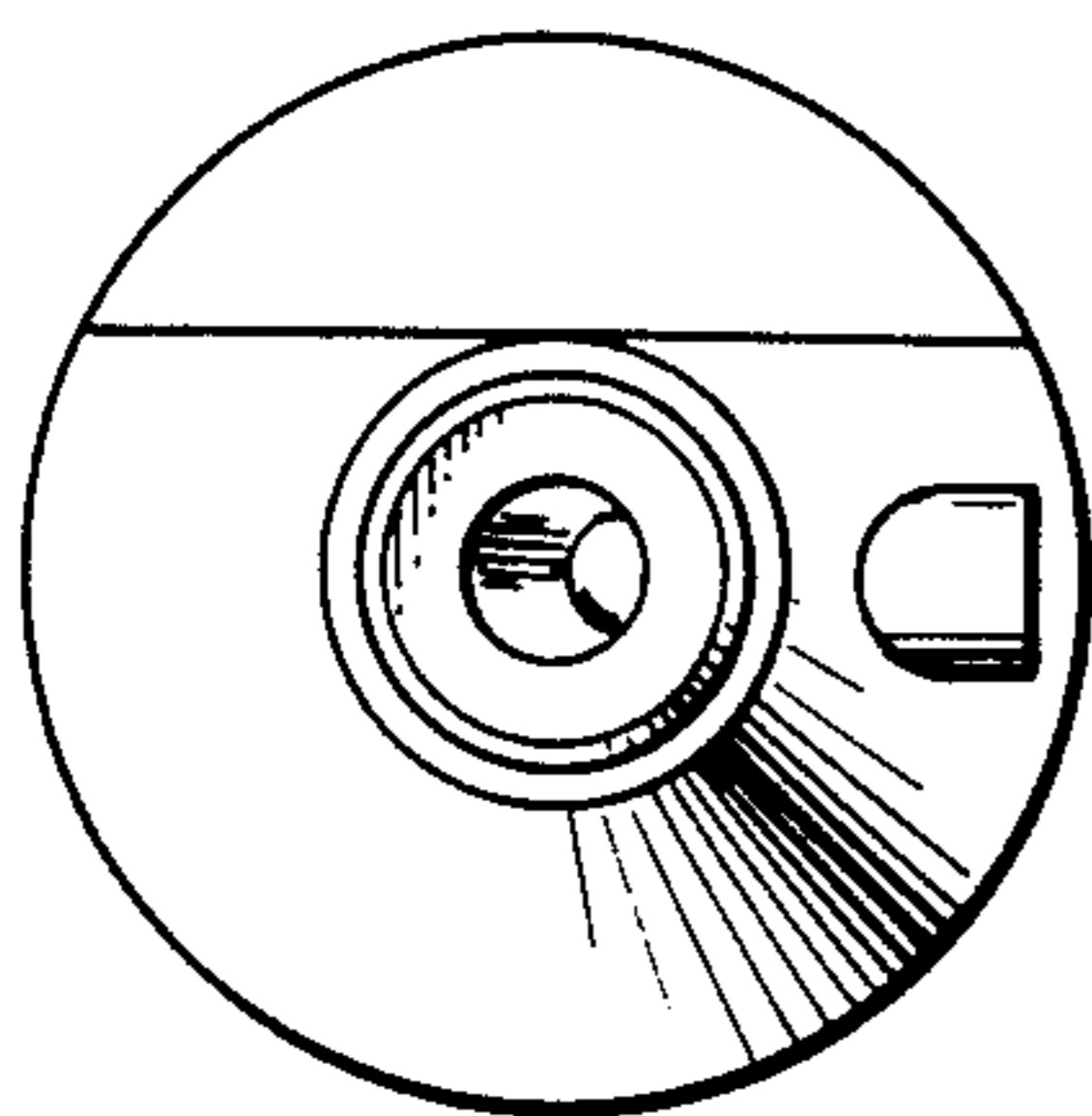


FIG. 3.

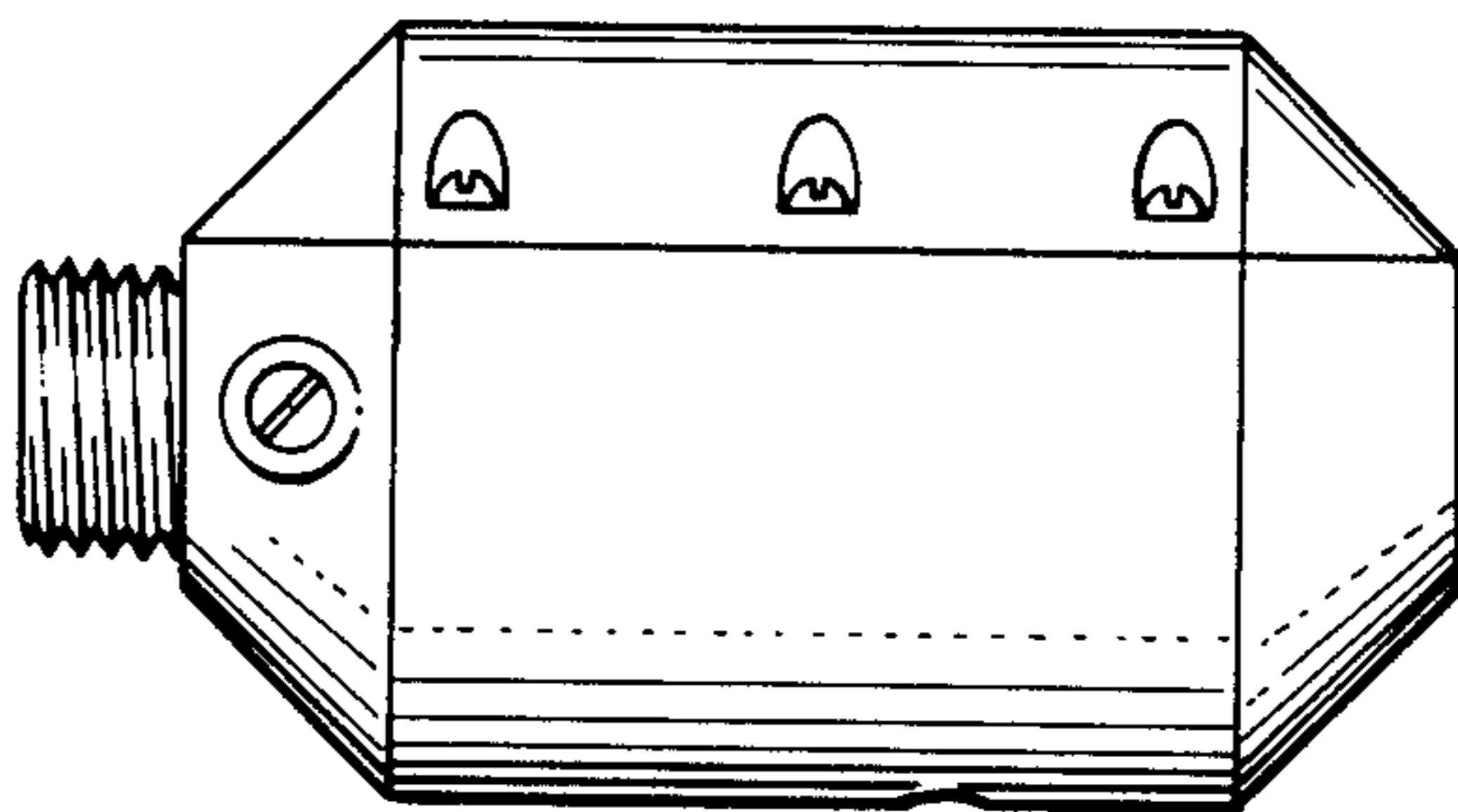


FIG. 4.

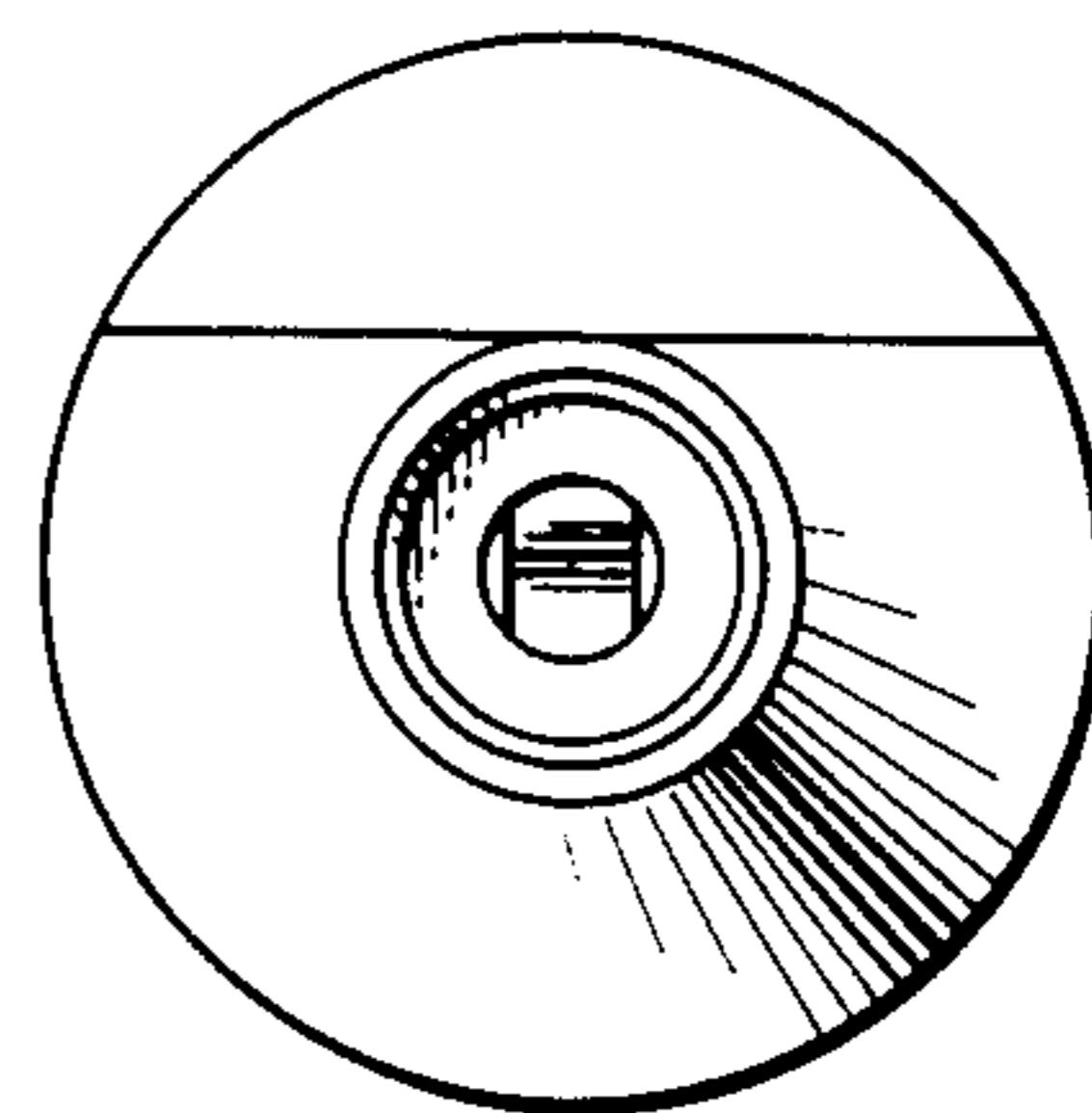


FIG. 5.

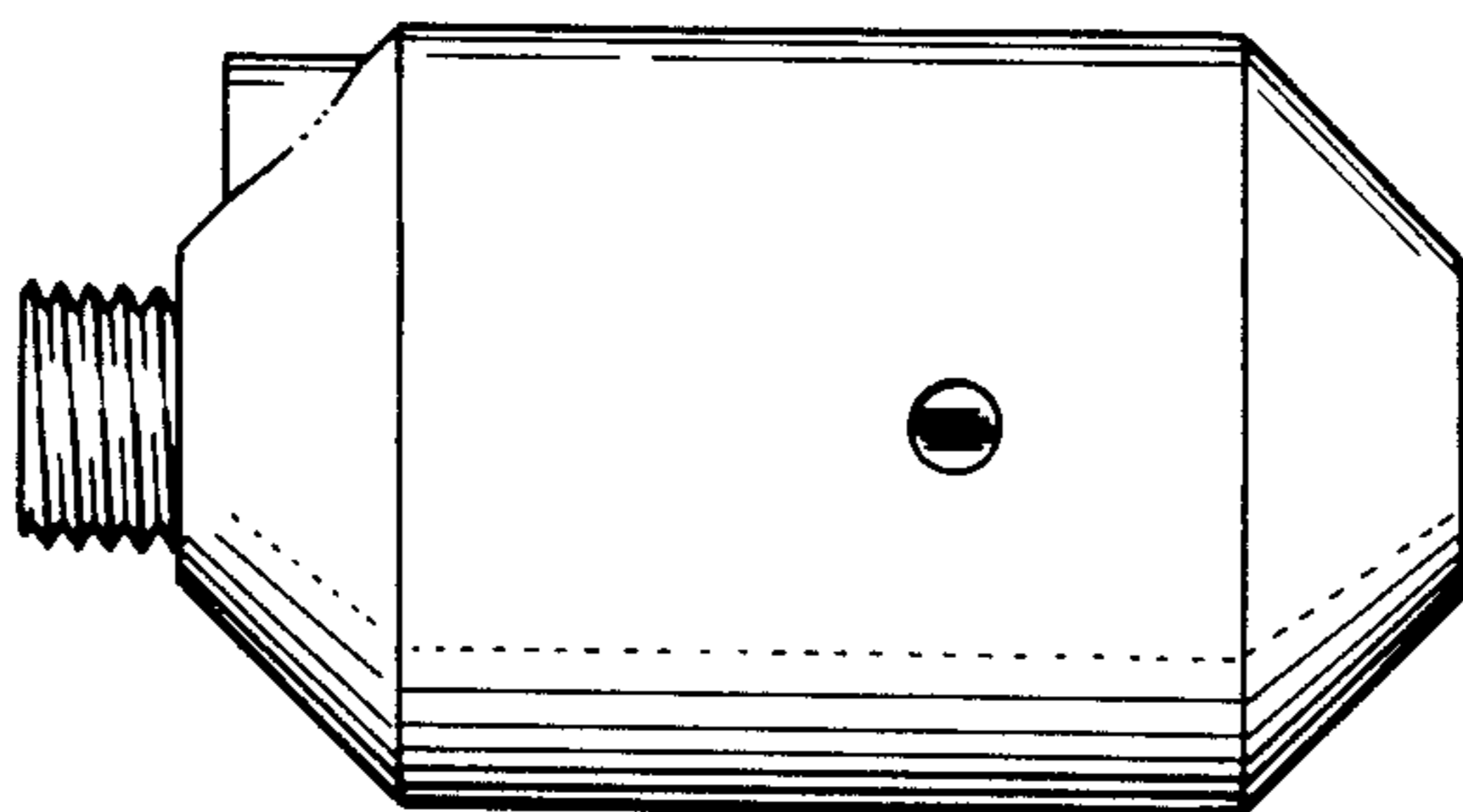


FIG. 6.