

[54] PAPER OVERFEED TRAY

[75] Inventors: Melvin G. Crandell, Walworth; Richard E. Reeves, Webster; Leonard Schachner, Pittsford; David A. Benner, Rochester, all of N.Y.

[73] Assignee: Xerox Corporation, Stamford, Conn.

[\*\*] Term: 14 Years

[21] Appl. No.: 698,232

[22] Filed: June 21, 1976

[51] Int. Cl. .... D19-99; D16-99

[52] U.S. Cl. .... D16/32

[58] Field of Search ..... D16/27, 28, 29, 30, D16/31, 32; D19/92; 206/557; 211/13, 45, 50, 126; 355/3 R, 4, 5, 18, 19, 32, 45, 66

[56] References Cited

U.S. PATENT DOCUMENTS

D. 136,711	11/1943	Clark .....	D19/92
D. 139,823	12/1944	Jones .....	D19/92
D. 163,463	5/1951	Lewis .....	D19/92
D. 238,779	2/1976	Robertson et al. ....	D16/33 X

Primary Examiner—Wallace R. Burke  
Assistant Examiner—Catherine Kemper  
Attorney, Agent, or Firm—James J. Ralabate

[57] CLAIM

The ornamental design for a paper overfeed tray, as shown and described.

DESCRIPTION

FIG. 1 is a front perspective view of a paper overfeed tray, showing our new design;  
FIG. 2 is a top plan view thereof;  
FIG. 3 is a rear elevational view thereof;  
FIG. 4 is a right side elevational view thereof;  
FIG. 5 is a left side elevational view thereof;  
FIG. 6 is a bottom plan view thereof;  
FIG. 7 is a front elevational view thereof.

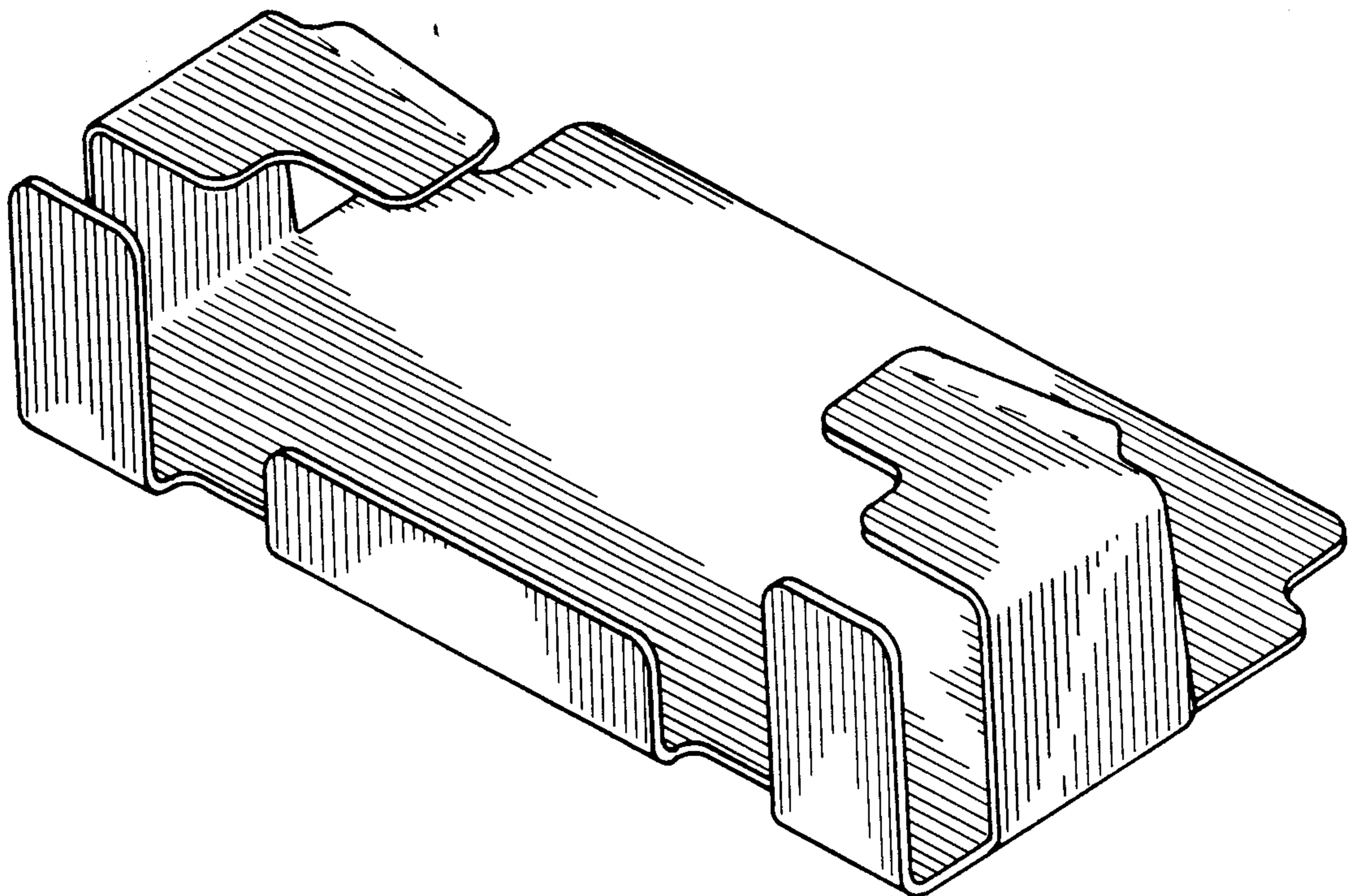


FIG. 1

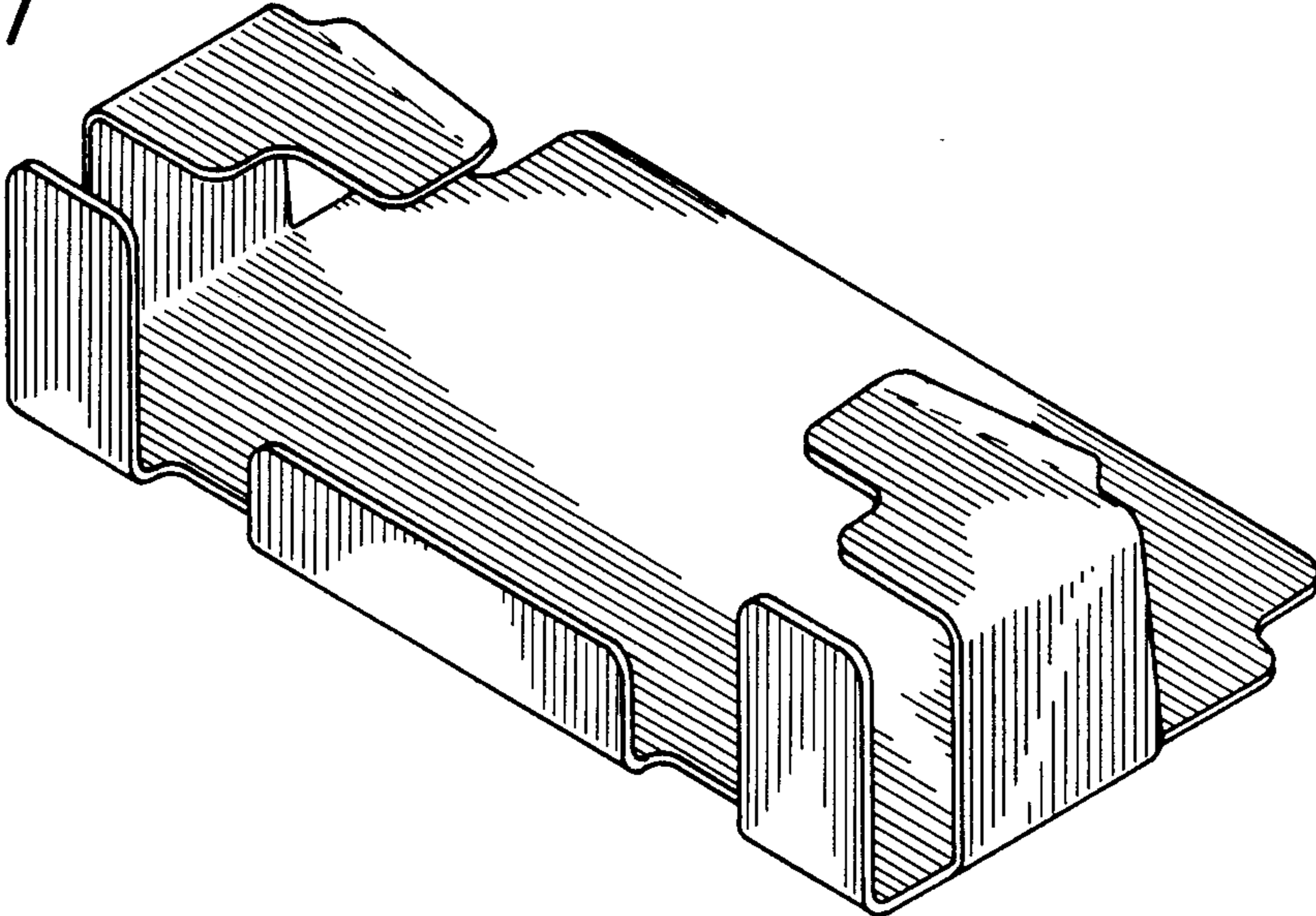


FIG. 2

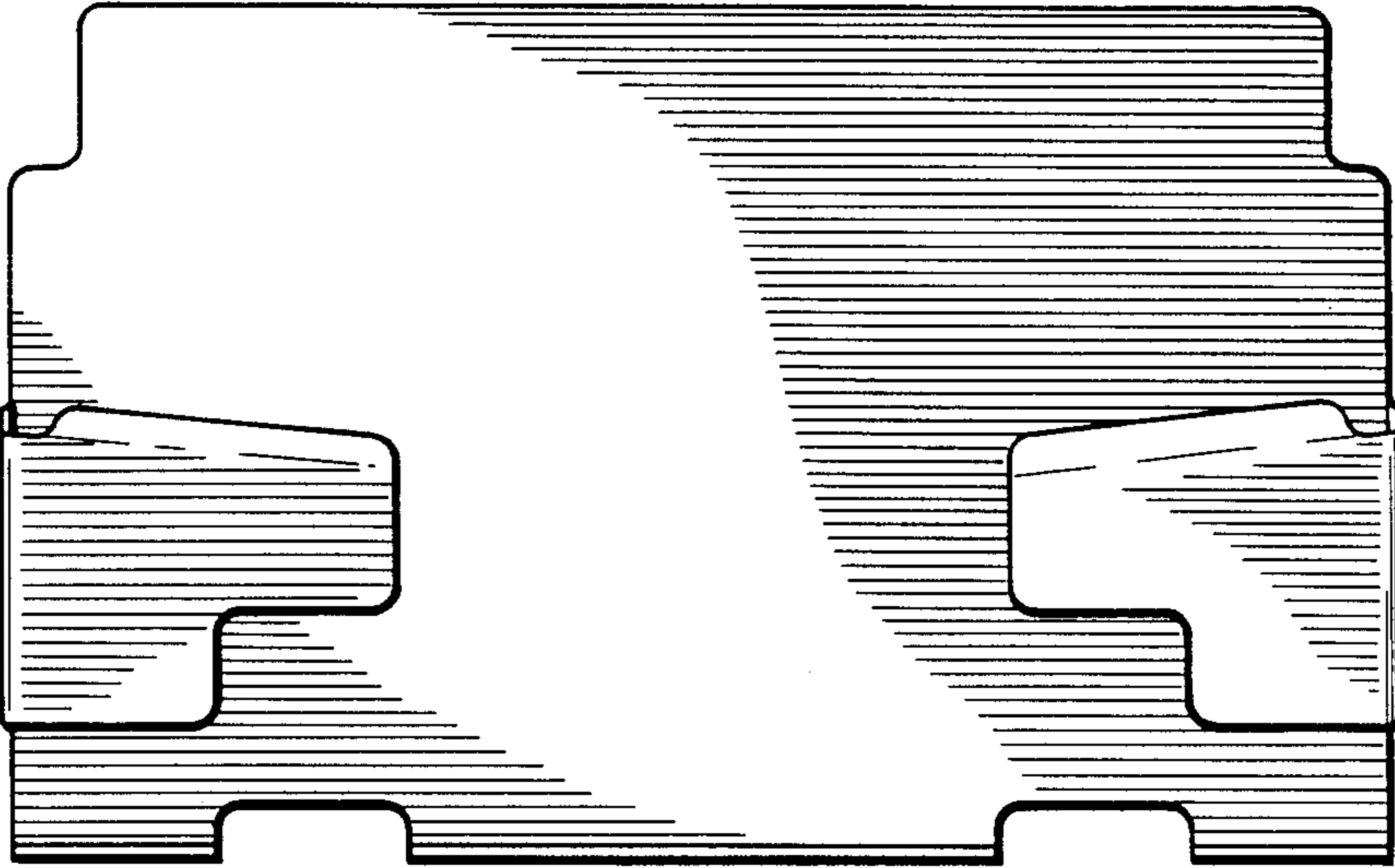
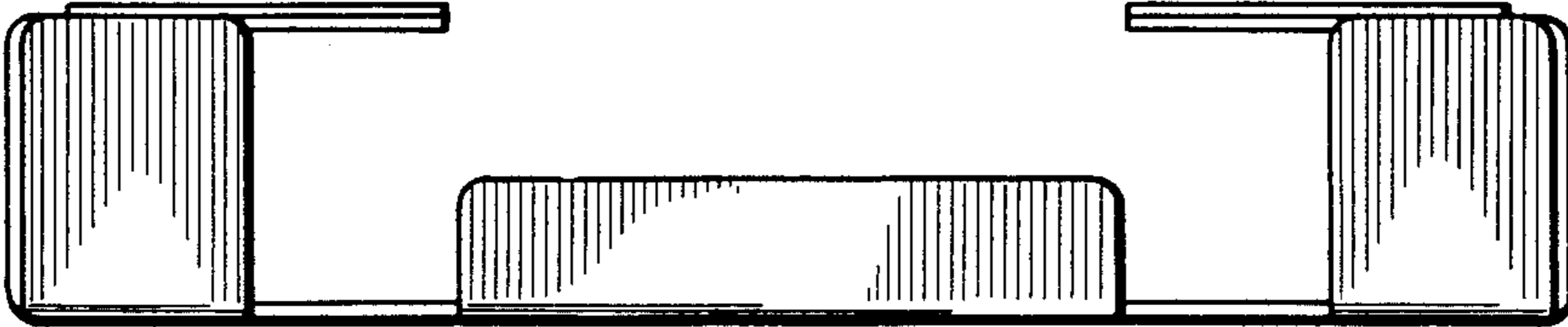
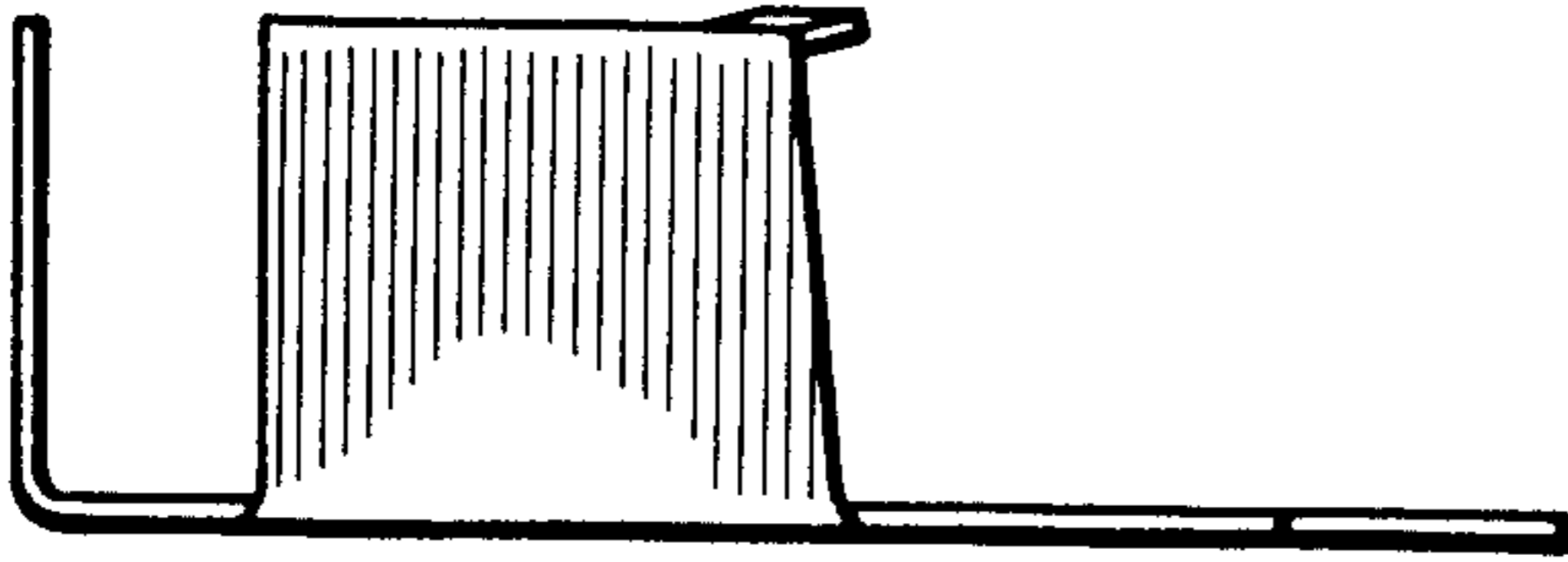


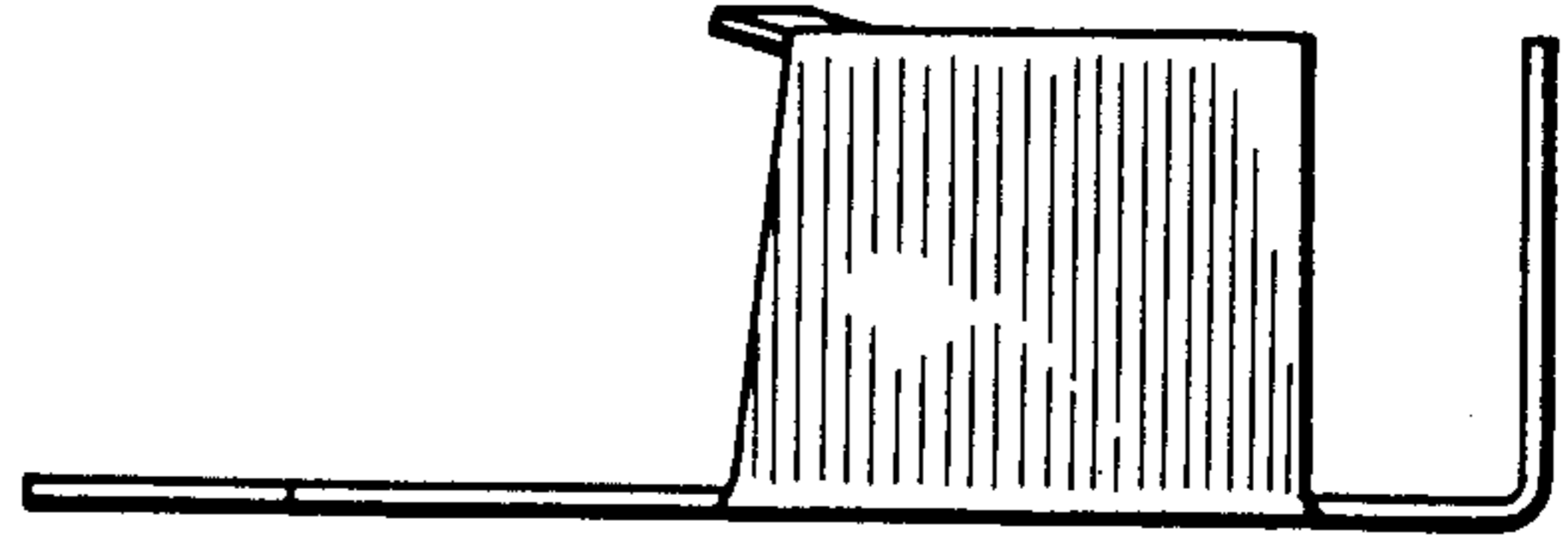
FIG. 3



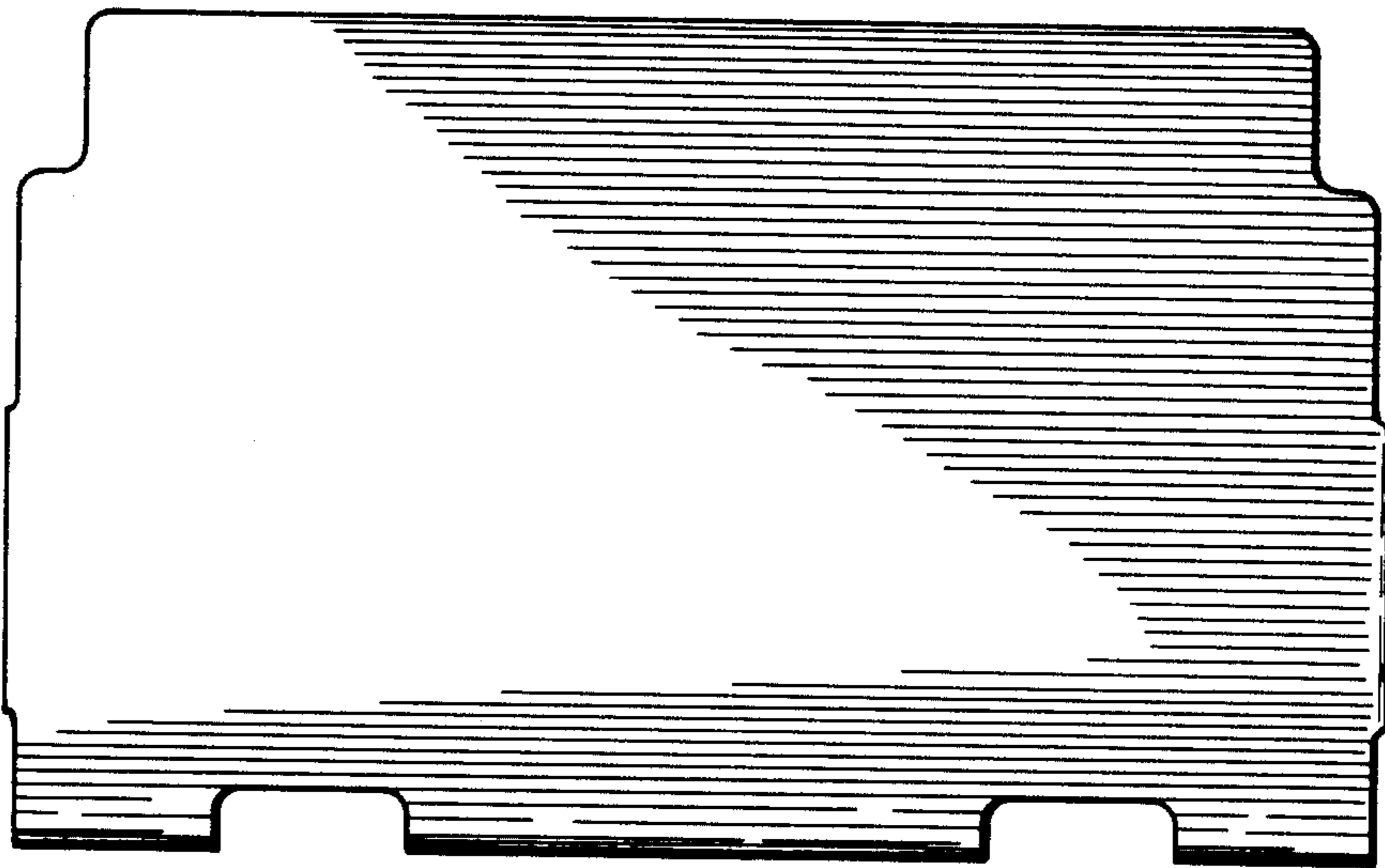
*FIG. 4*



*FIG. 5*



*FIG. 6*



*FIG. 7*

