

[54] GRIP FOR A PHOTOGRAPHIC CAMERA

[76] Inventor: Zenzaburo Yoshino, 3-30-10, Kamikitazawa, Setagaya, Tokyo, Japan

[**] Term: 14 Years

[21] Appl. No.: 721,302

[22] Filed: Sept. 8, 1976

[30] Foreign Application Priority Data
Mar. 9, 1976 Japan 51-8031

[51] Int. Cl. D16-99
[52] U.S. Cl. D16/10
[58] Field of Search D16/1-10;
354/151, 152, 162, 202, 288

[56] References Cited

U.S. PATENT DOCUMENTS

D. 131,341 2/1942 Benson et al. D16/10
D. 201,158 5/1965 Wessels D16/38

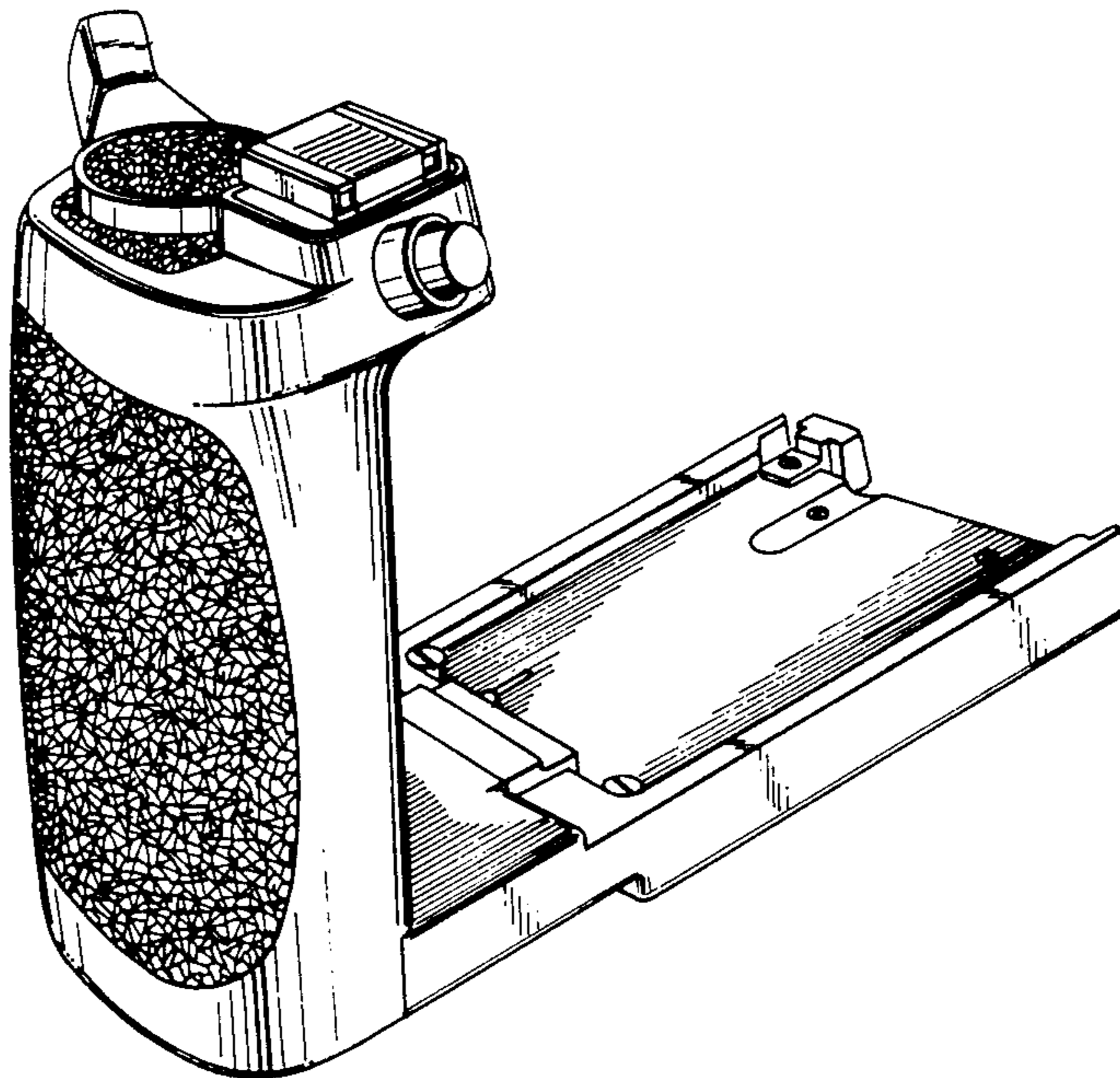
Primary Examiner—Wallace R. Burke
Assistant Examiner—Catherine Kemper
Attorney, Agent, or Firm—Robert Osann

[57] CLAIM

The ornamental design for a grip for a photographic camera, as shown.

DESCRIPTION

FIG. 1 is a front left side perspective view of a grip for a photographic camera showing my new design; FIG. 2 is a right side elevational view thereof; FIG. 3 is a left side elevational view thereof; FIG. 4 is a rear elevational view thereof; and FIG. 5 is a bottom view thereof.



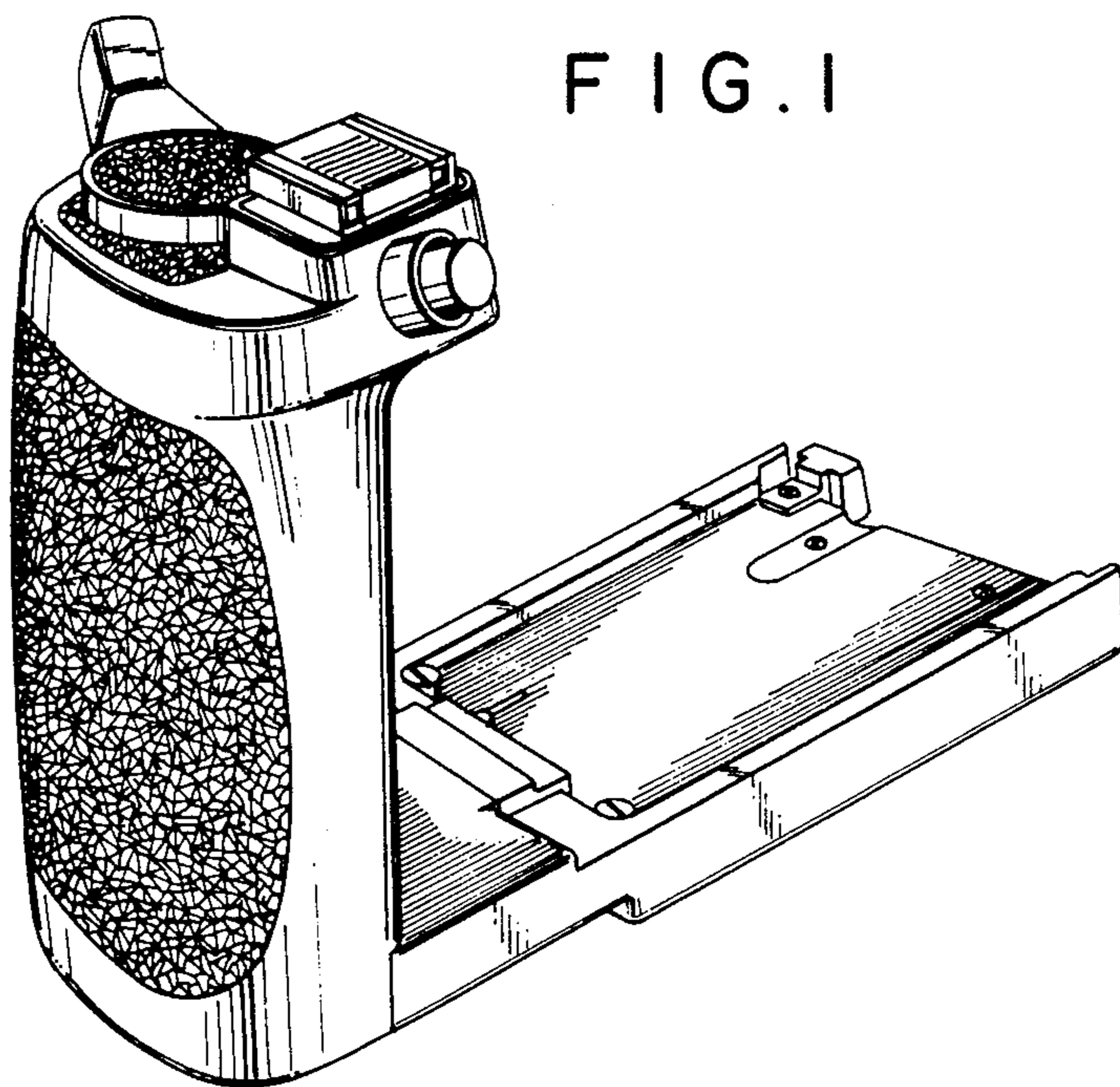


FIG. 1

FIG. 2

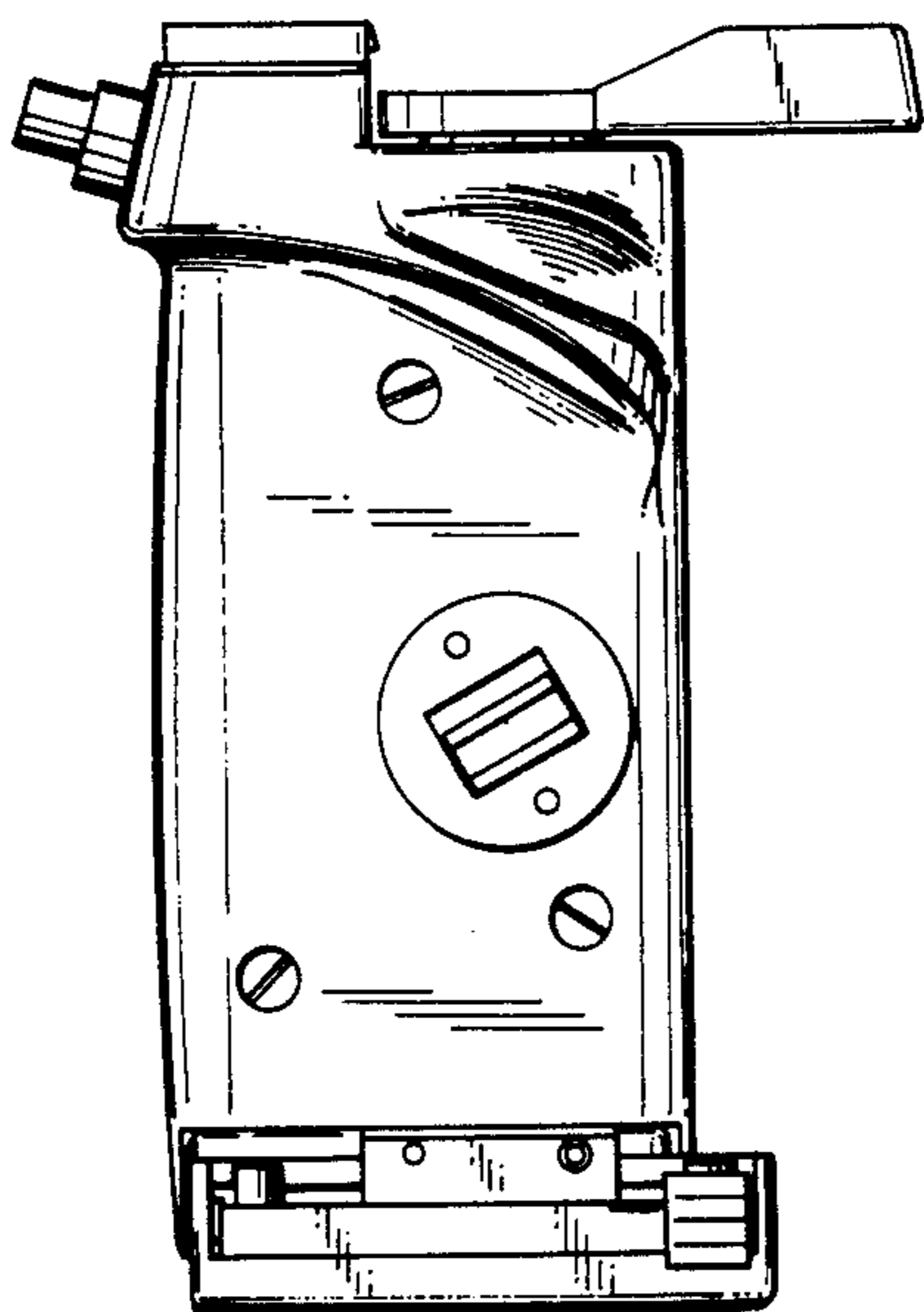


FIG. 3

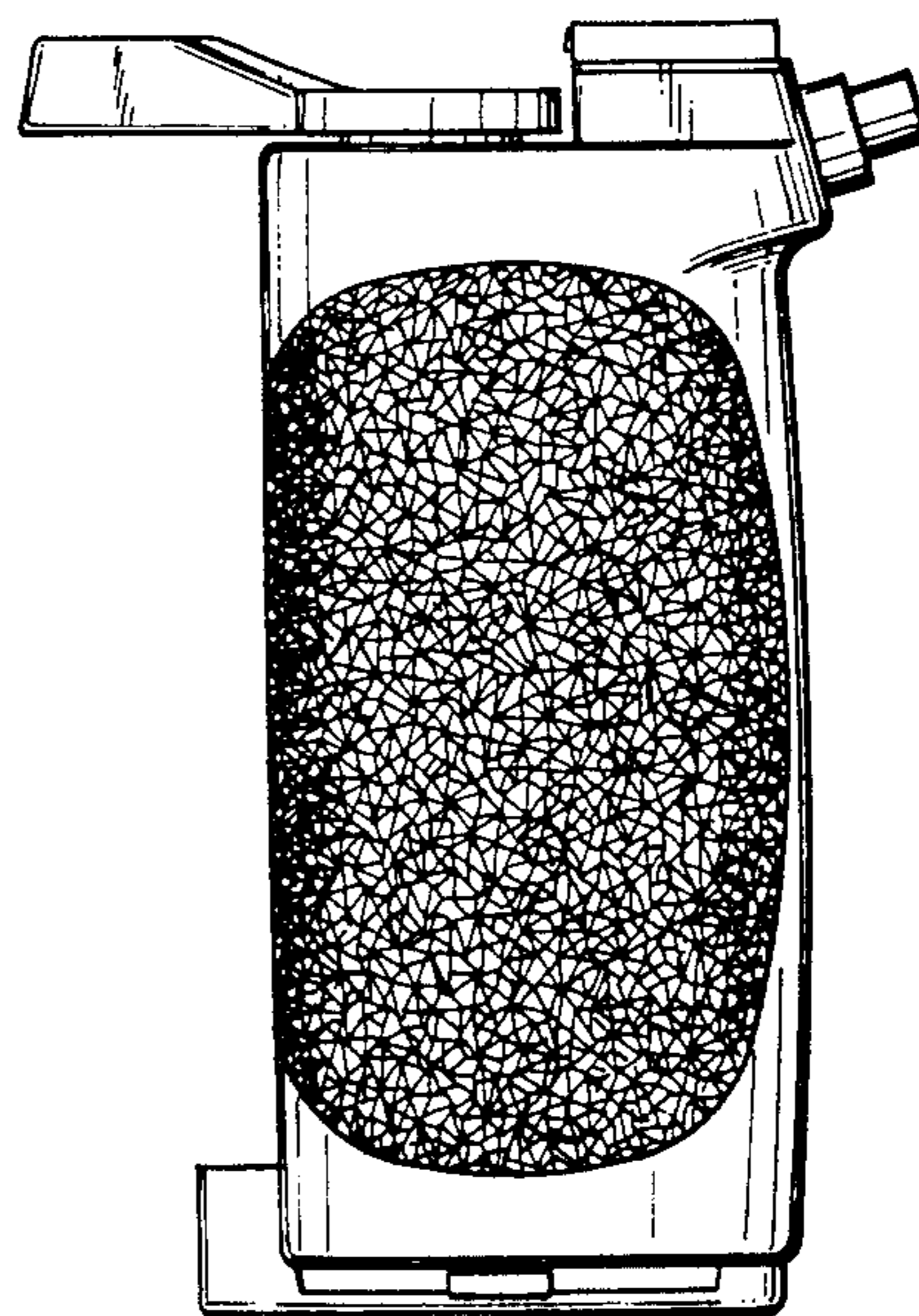


FIG. 4

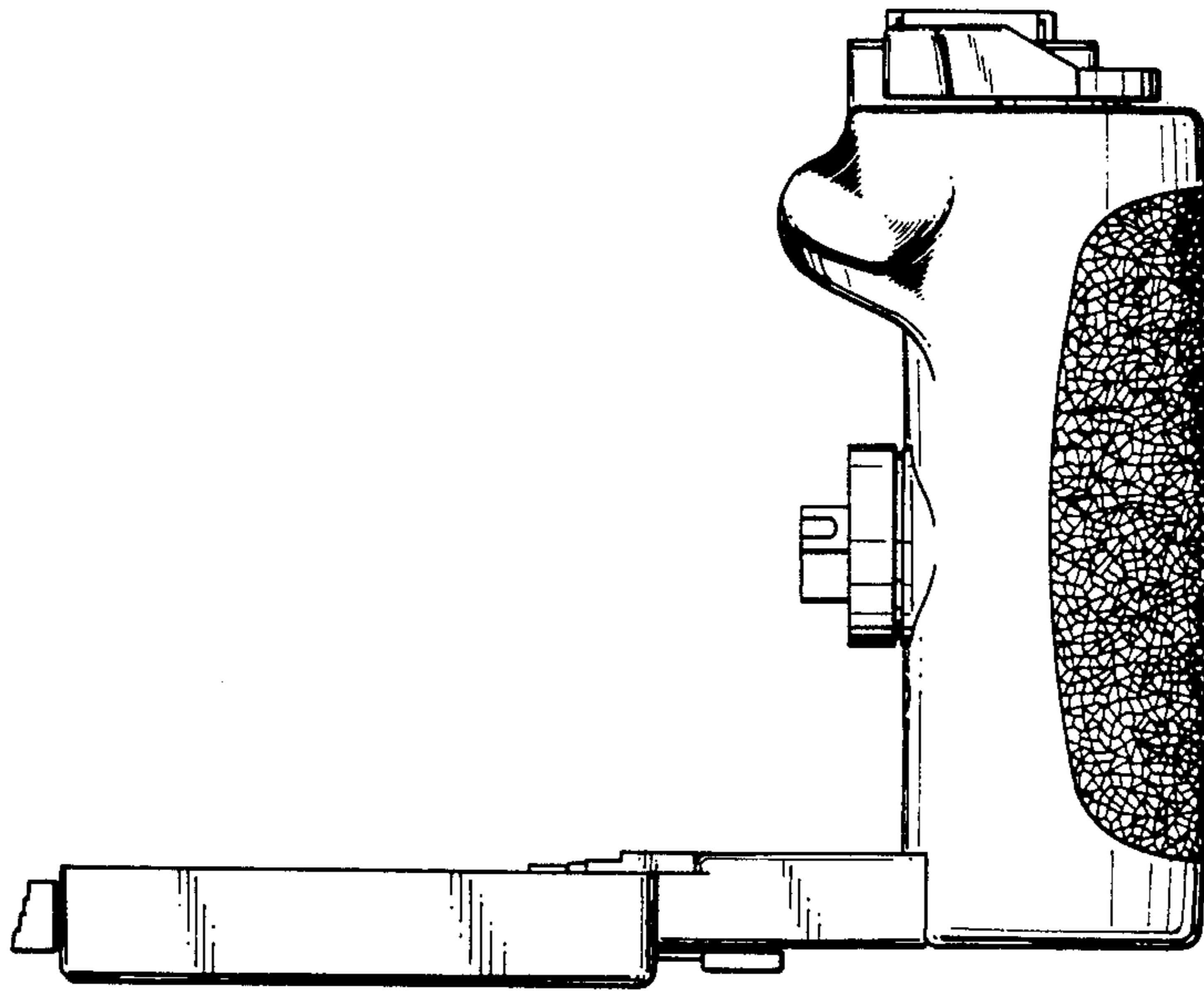


FIG. 5

