

[54] LIQUID APPLICATOR

[76] Inventor: Andrew L. Pansini, 200 Golden Gate Ave., Belvedere, Calif. 94920

[\*\*] Term: 14 Years

[21] Appl. No.: 659,221

[22] Filed: Feb. 19, 1976

[51] Int. Cl. .... D15-99

[52] U.S. Cl. .... D15/56

[58] Field of Search ..... 15/1.7; 134/21, 34; D23/34, 35; D15/34, 48, 56

[56] References Cited

U.S. PATENT DOCUMENTS

3,172,415 3/1965 Maushund ..... 15/1.7 X  
D. 121,293 7/1940 Brown ..... D23/35

D. 194,093 11/1962 Mullinix et al. .... D15/63 X

Primary Examiner—James R. Largen  
Assistant Examiner—Catherine Kemper  
Attorney, Agent, or Firm—Frank A. Neal

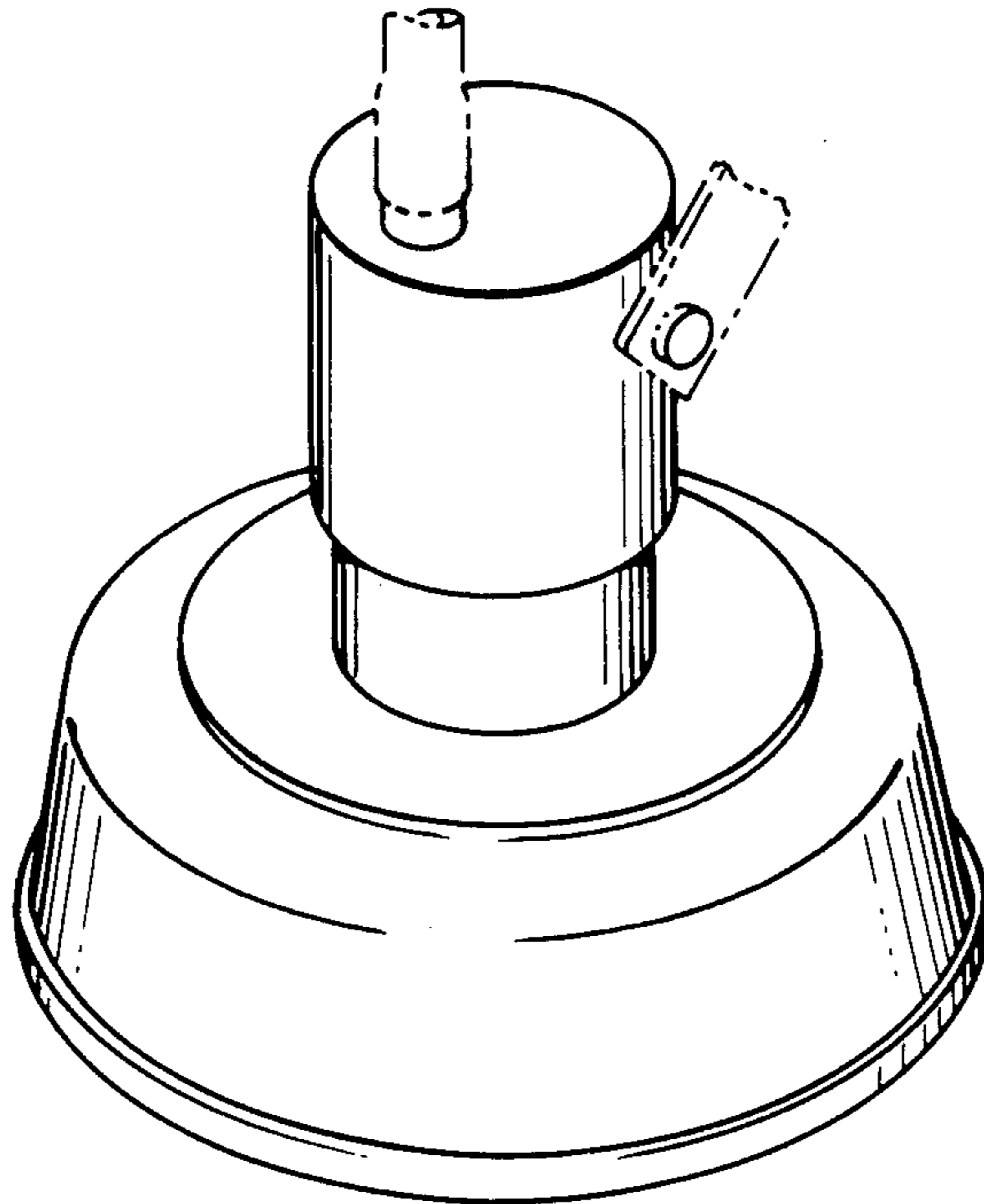
[57] CLAIM

The ornamental design for a liquid applicator, as shown and described.

DESCRIPTION

FIG. 1 is a top perspective view of a liquid applicator, showing my new design;  
FIG. 2 is a bottom perspective view thereof;  
FIG. 3 is a front elevational view thereof;  
FIG. 4 is a side elevational view thereof;  
FIG. 5 is a top plan view thereof;  
FIG. 6 is a bottom plan view thereof.

The broken line disclosure in all views is for illustrative purposes only and forms no part of the claimed design.



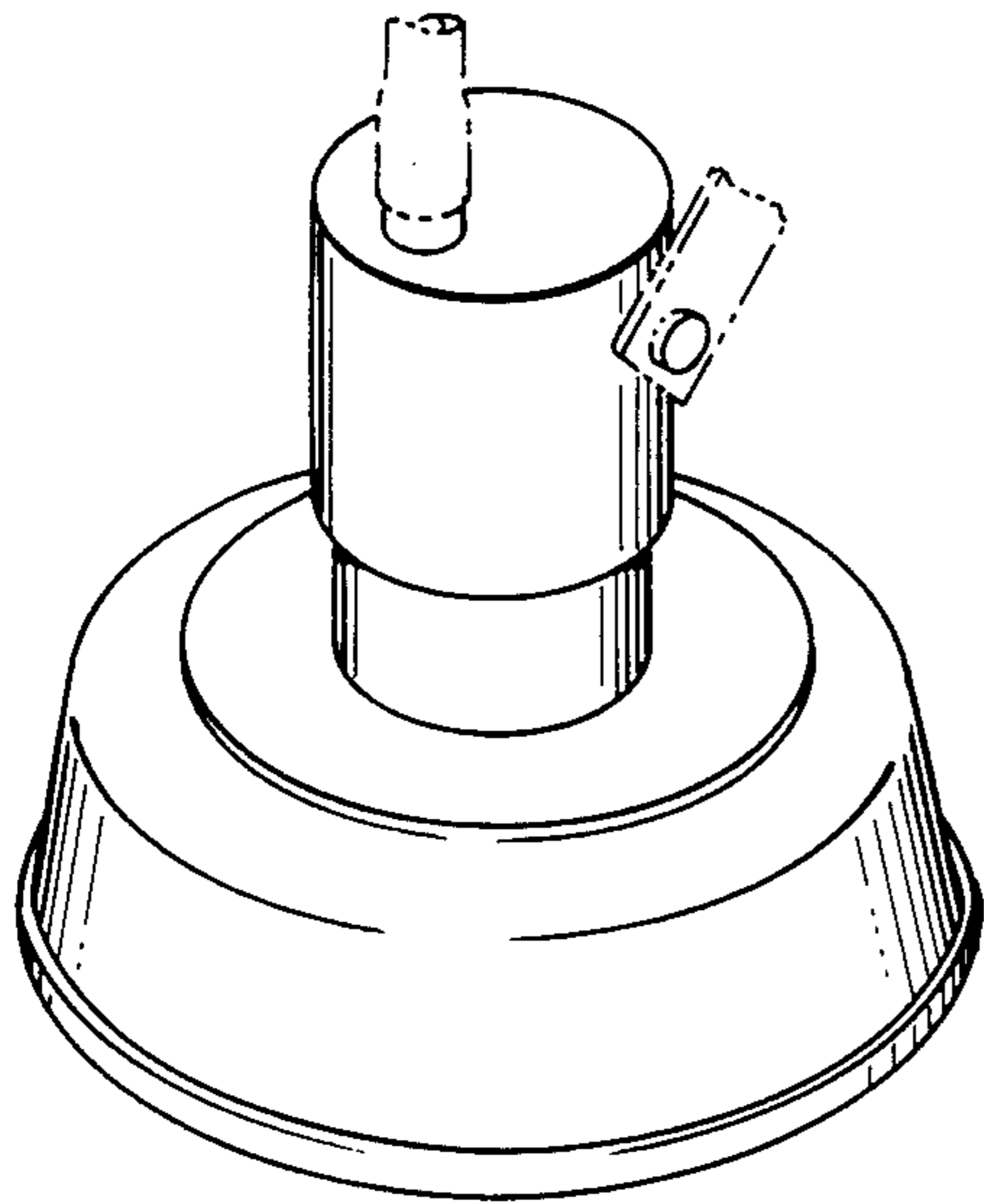


FIG. 1.

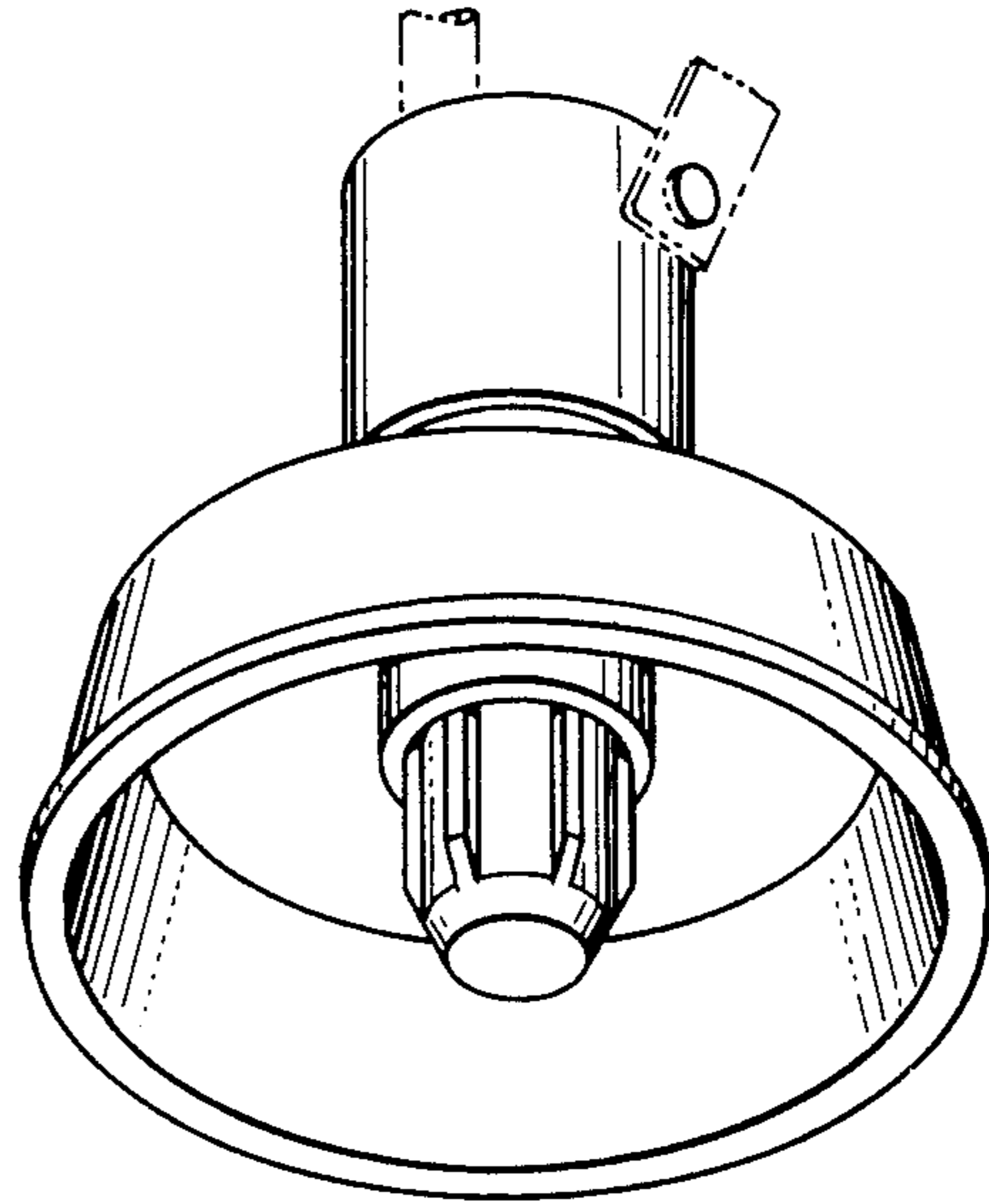


FIG. 2.

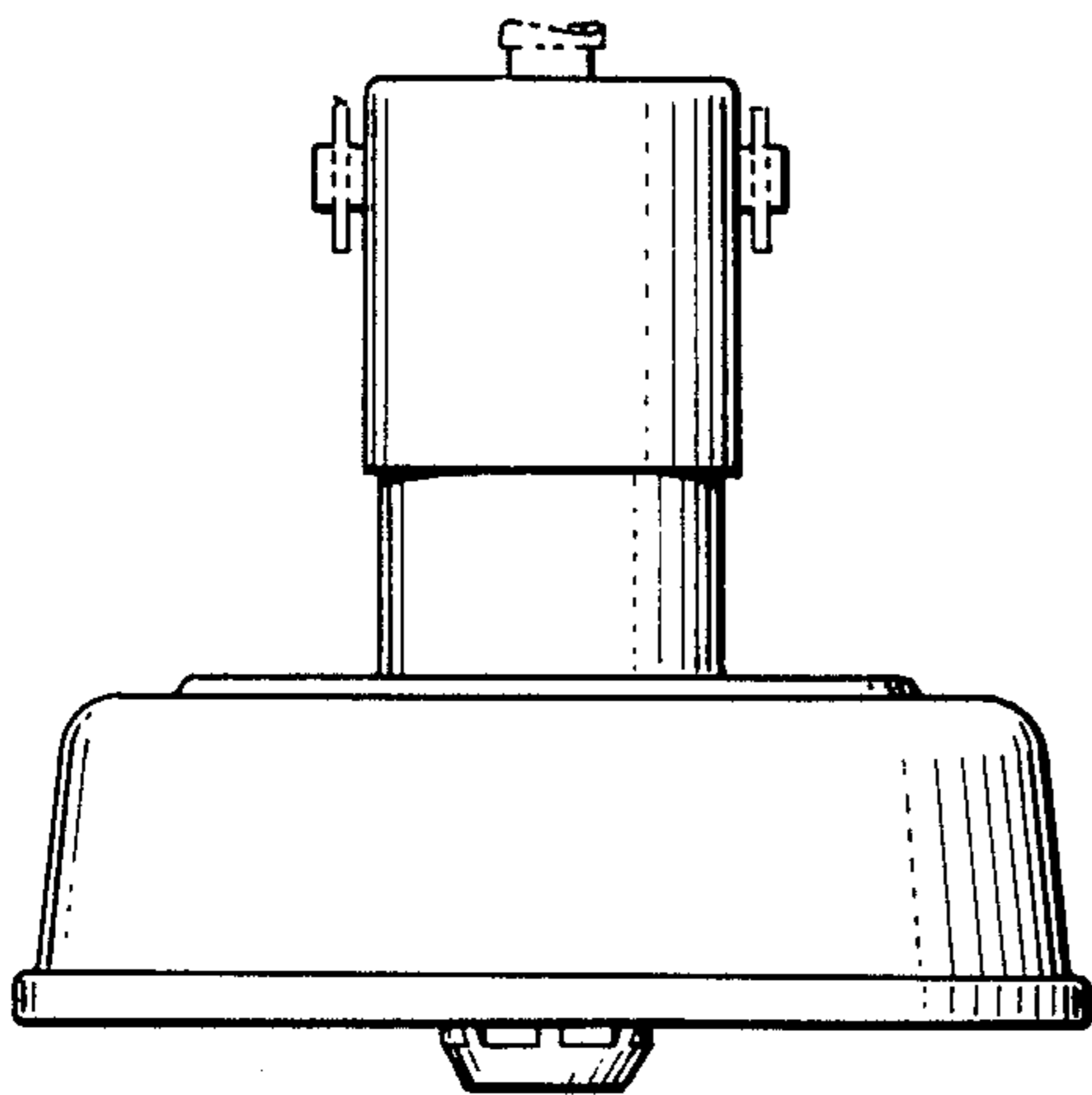


FIG. 3.

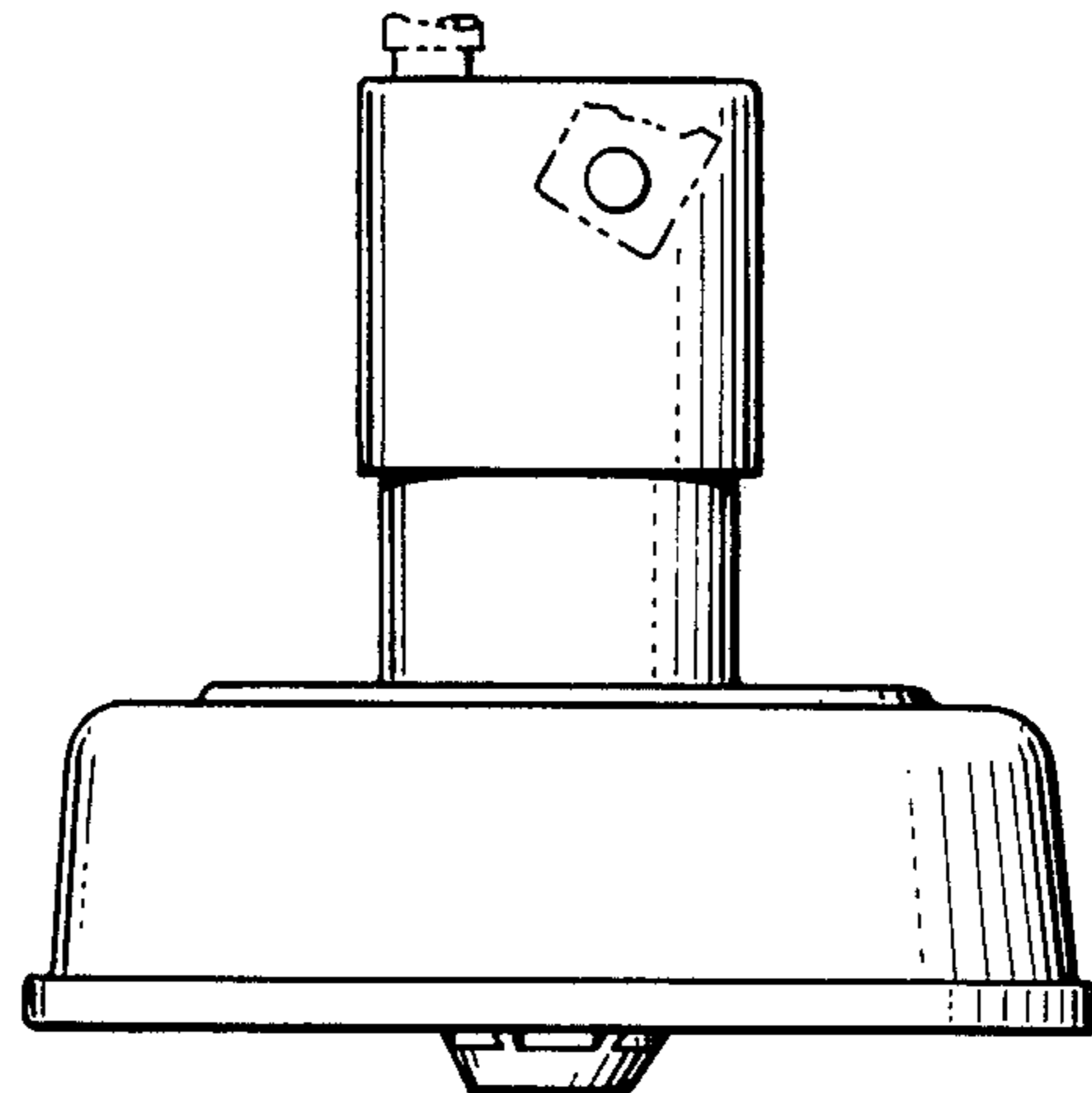


FIG. 4.

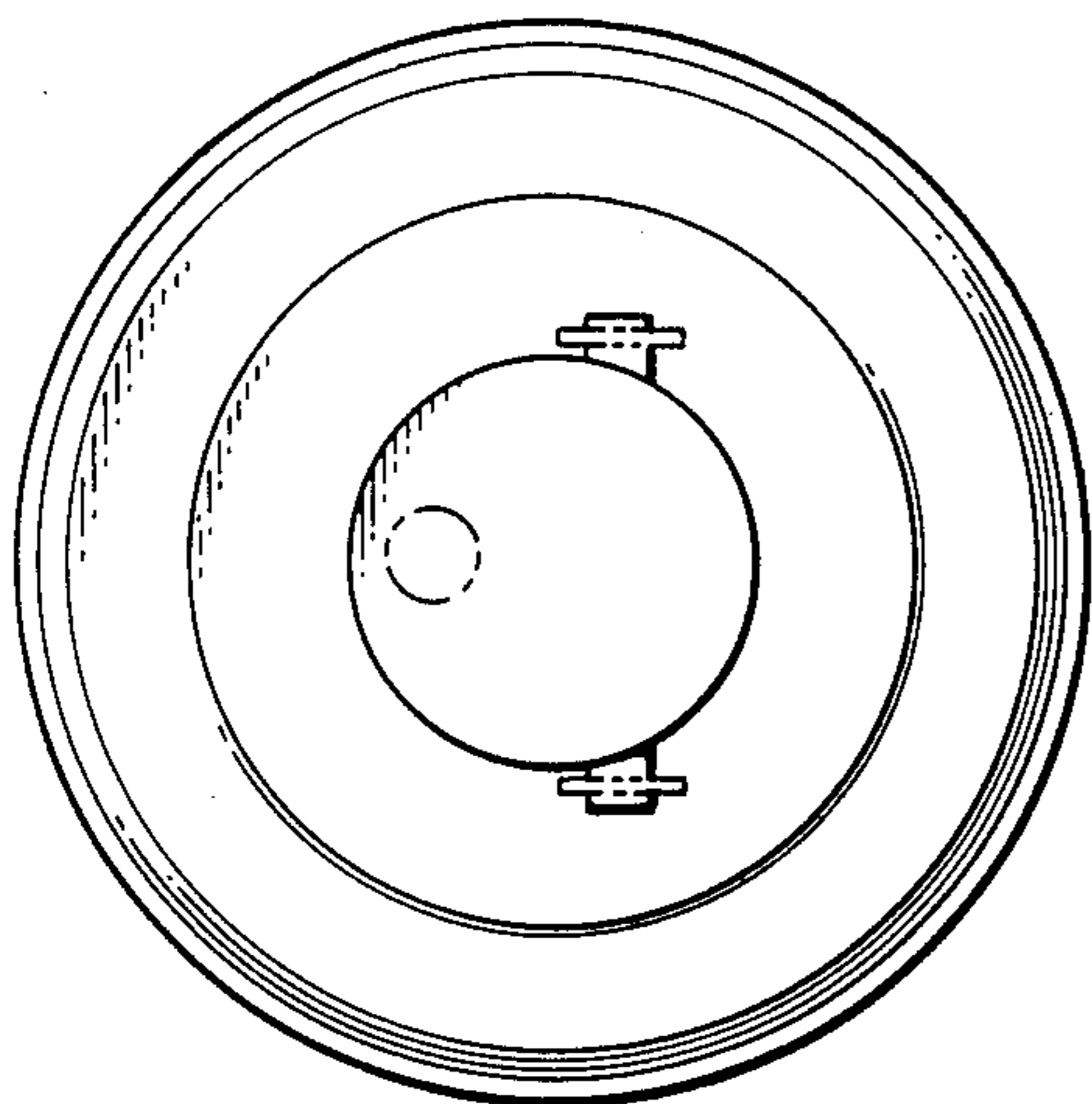


FIG. 5.

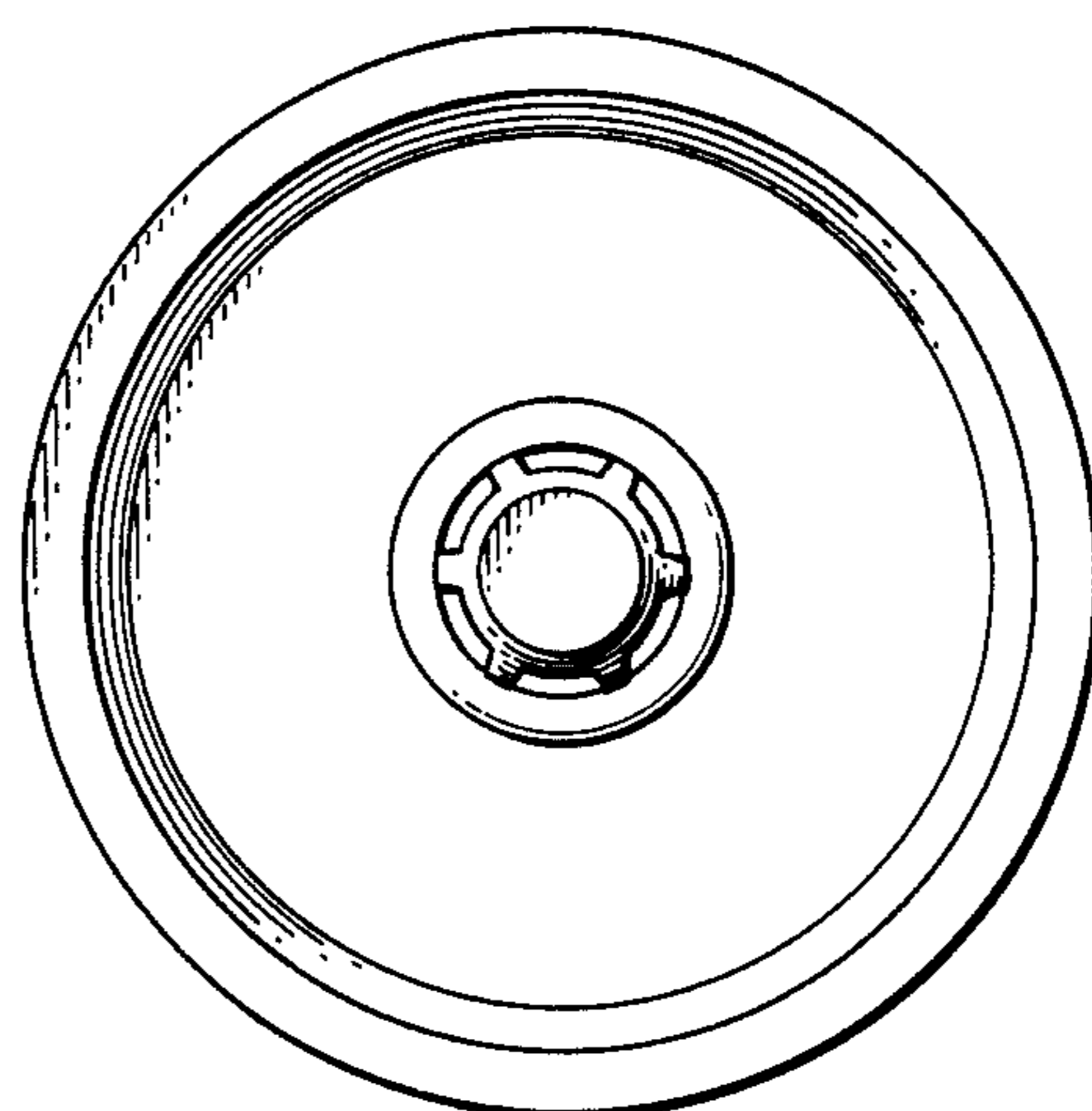


FIG. 6.