

[54] TRACTOR HOOD

[75] Inventor: Leo J. Lorenz, Farmington, Mich.

[73] Assignee: Massey-Ferguson Inc., Detroit, Mich.

[\*\*] Term: 14 Years

[21] Appl. No.: 713,021

[22] Filed: Aug. 9, 1976

[51] Int. Cl. .... D15-03

[52] U.S. Cl. .... D15/31

[58] Field of Search ..... D15/31; 180/69 R, 69 C

[56] References Cited

U.S. PATENT DOCUMENTS

D. 225,521 12/1972 Lorenz et al. .... 126/157

OTHER PUBLICATIONS

Implement & Tractor, 3/7/75, p. 31, Tractor Hood, top right side of page.

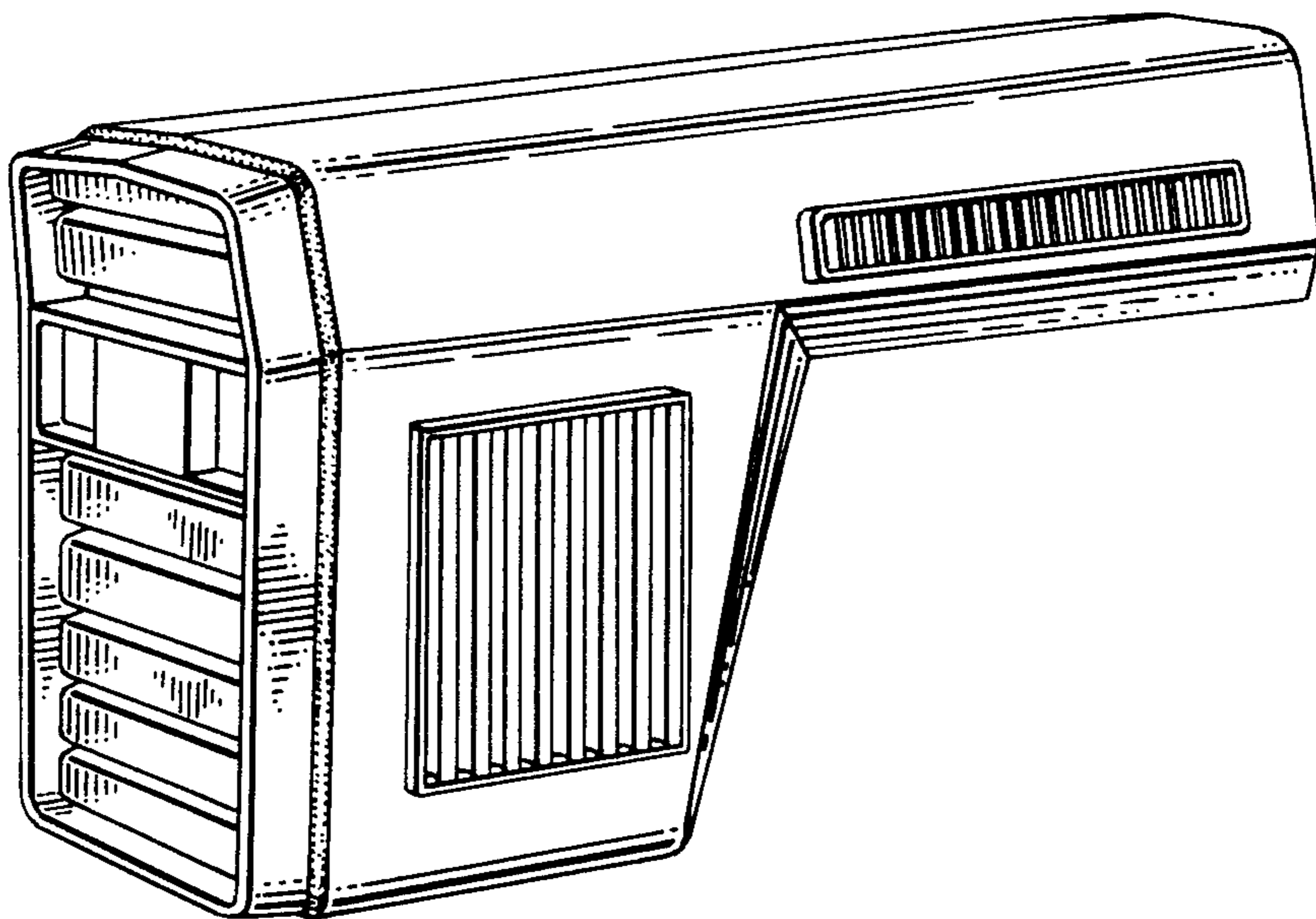
Primary Examiner—Wallace R. Burke  
Assistant Examiner—James M. Gandy  
Attorney, Agent, or Firm—John C. Thompson

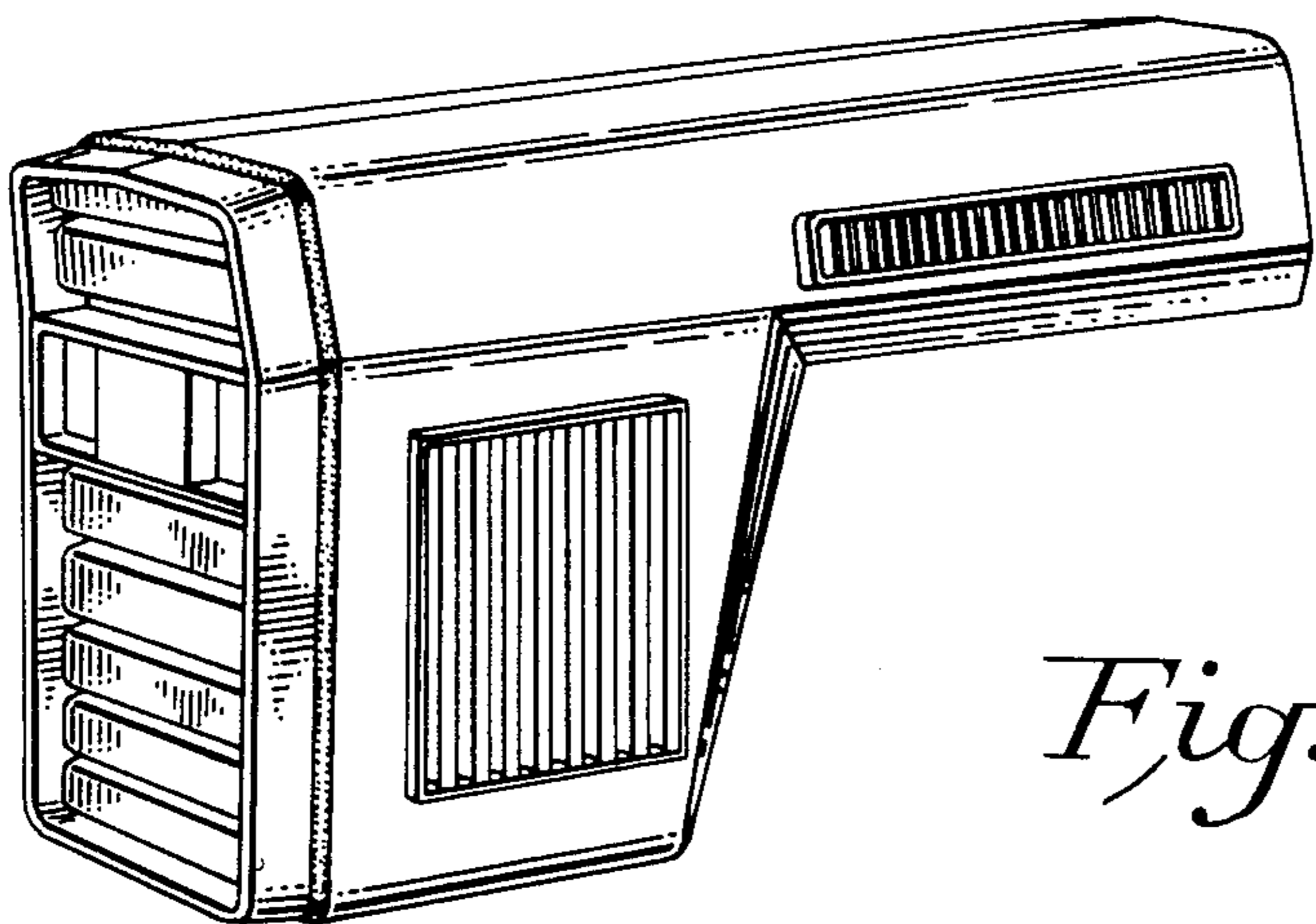
[57] CLAIM

The ornamental design for a tractor hood, substantially as shown and described.

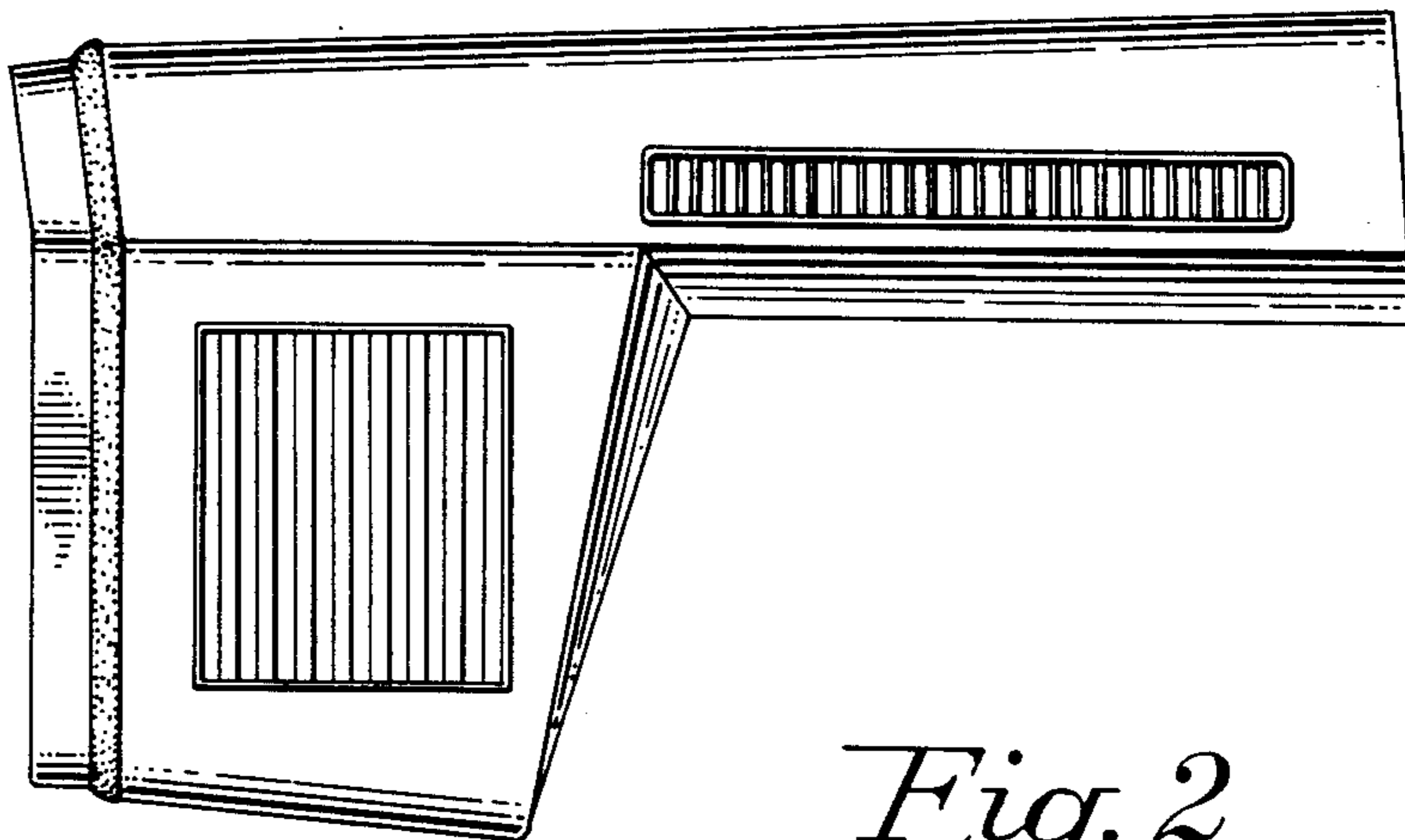
DESCRIPTION

FIG. 1 is a left front perspective view of a tractor hood showing my new design;  
FIG. 2 is a left side elevational view thereof;  
FIG. 3 is a right front perspective view thereof; and  
FIG. 4 is a bottom plan view thereof.  
The characteristic feature of my design resides in the louvers on the sides of the tractor hood.

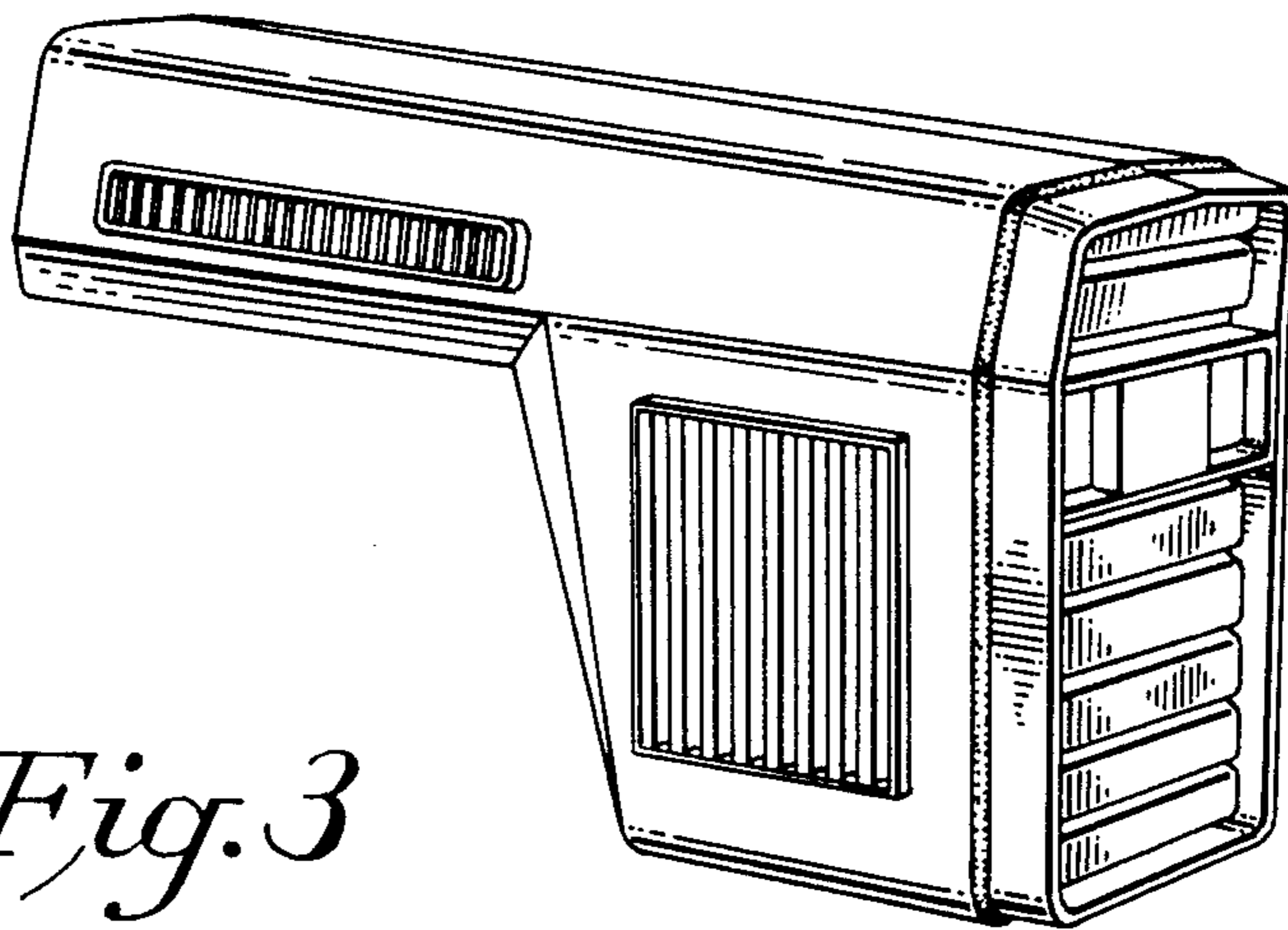




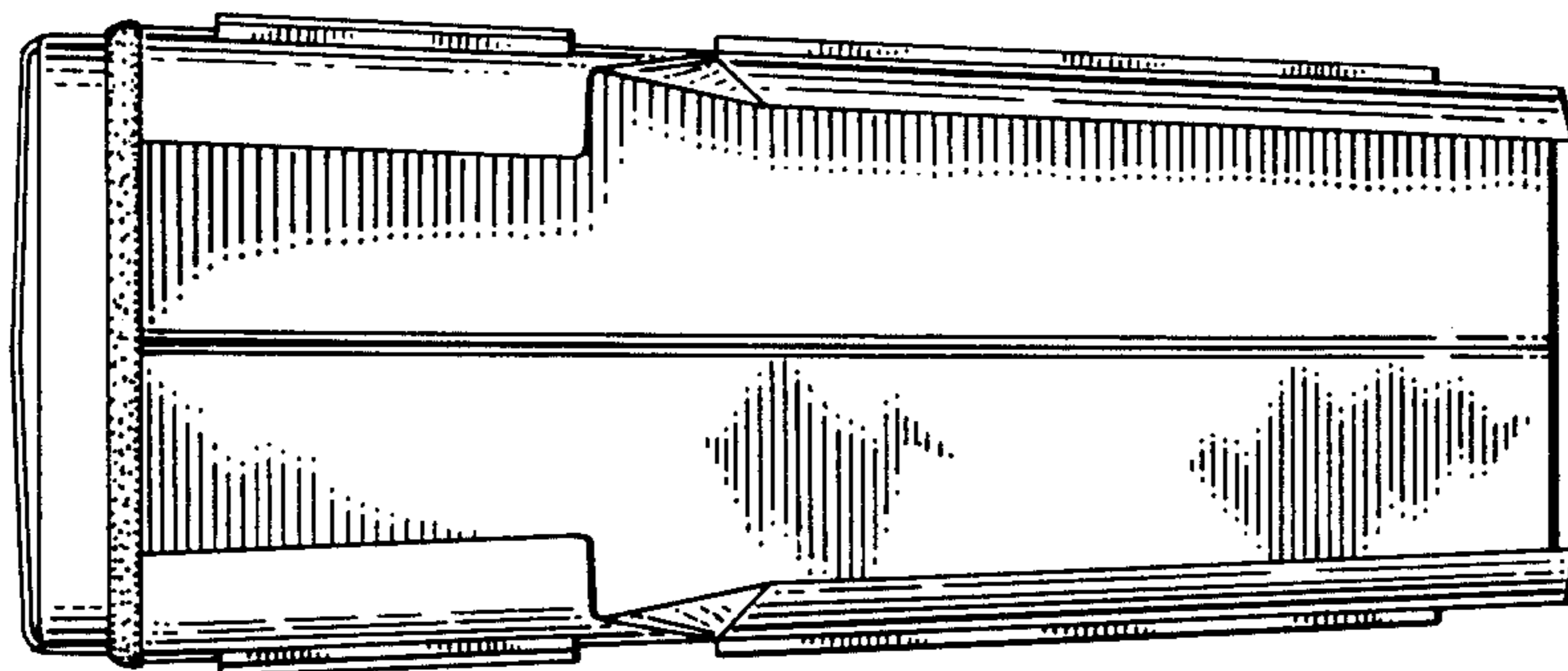
*Fig. 1*



*Fig. 2*



*Fig. 3*



*Fig. 4*