

[54] TAP TRANSDUCER INTERCOM

[76] Inventors: Gerard J. O'Brien, deceased, late of Jersey City; by Catherine H. O'Brien, administratrix/executrix, 33 Pamrapo Ave., Jersey City, N.J. 07305

[**] Term: 14 Years

[21] Appl. No.: 620,631

[22] Filed: Oct. 8, 1975

[51] Int. Cl. D14-03

[52] U.S. Cl. D14/92

[58] Field of Search 179/141, 142, 108 R; D26/14 L; D14/92, 58, 96, 99

[56]

References Cited

U.S. PATENT DOCUMENTS

3,909,558	9/1975	O'Brien	D26/14 L X
3,932,711	1/1976	O'Brien	179/142
3,970,804	7/1976	O'Brien	179/141 X
D. 240,834	8/1976	O'Brien	D26/14 L

Primary Examiner—Bernard Ansher
Attorney, Agent, or Firm—Henry A. Marzullo, Jr.

[57]

CLAIM

The ornamental design for a tap transducer intercom, substantially as shown and described.

DESCRIPTION

FIG. 1 is a top plan view of a tap transducer intercom, showing my new design;

FIG. 2 is a front view thereof;

FIG. 3 is a right side view thereof;

FIG. 4 is a rear view thereof;

FIG. 5 is a left side view thereof; and

FIG. 6 is a bottom plan view thereof.

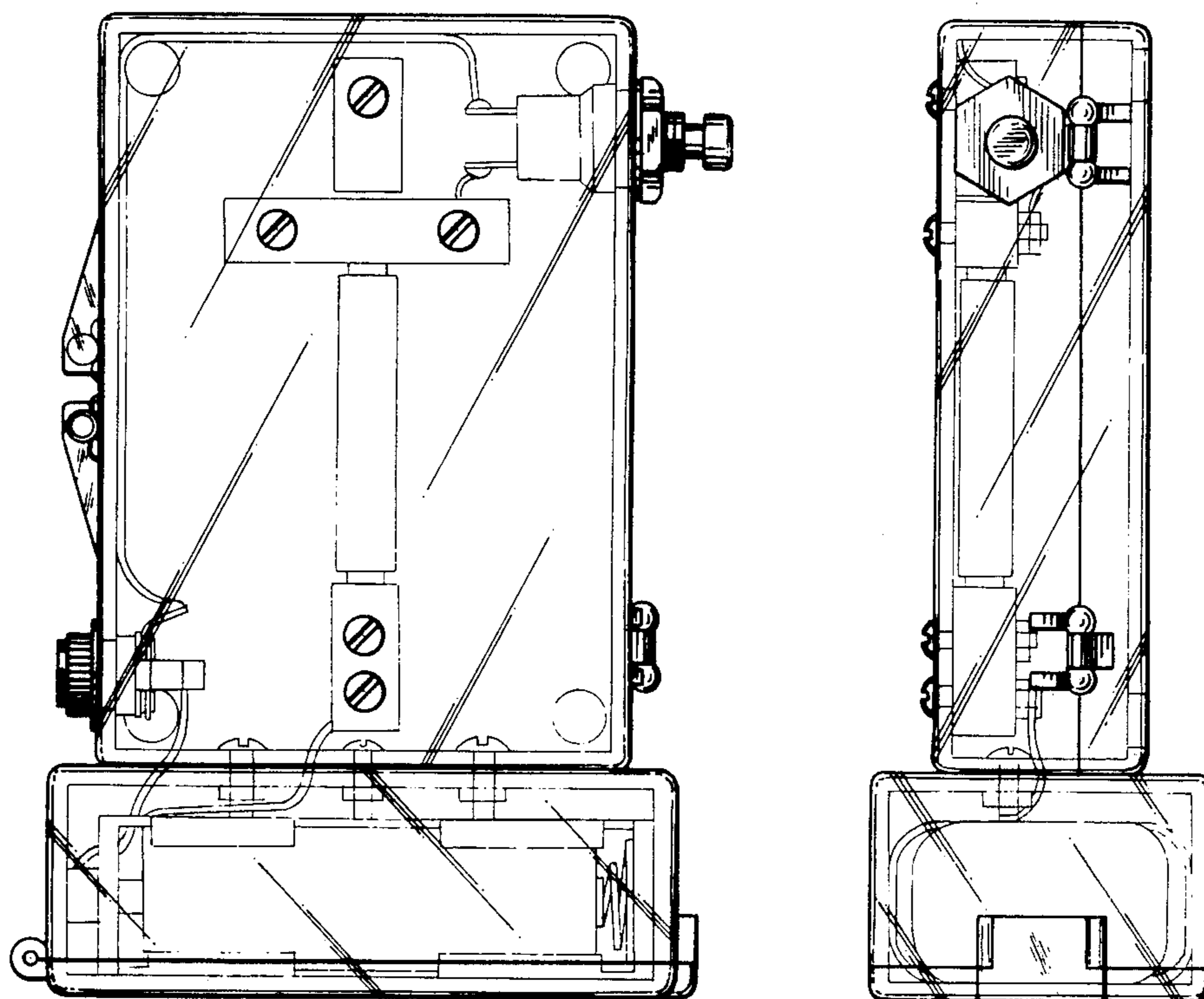


FIG. 1

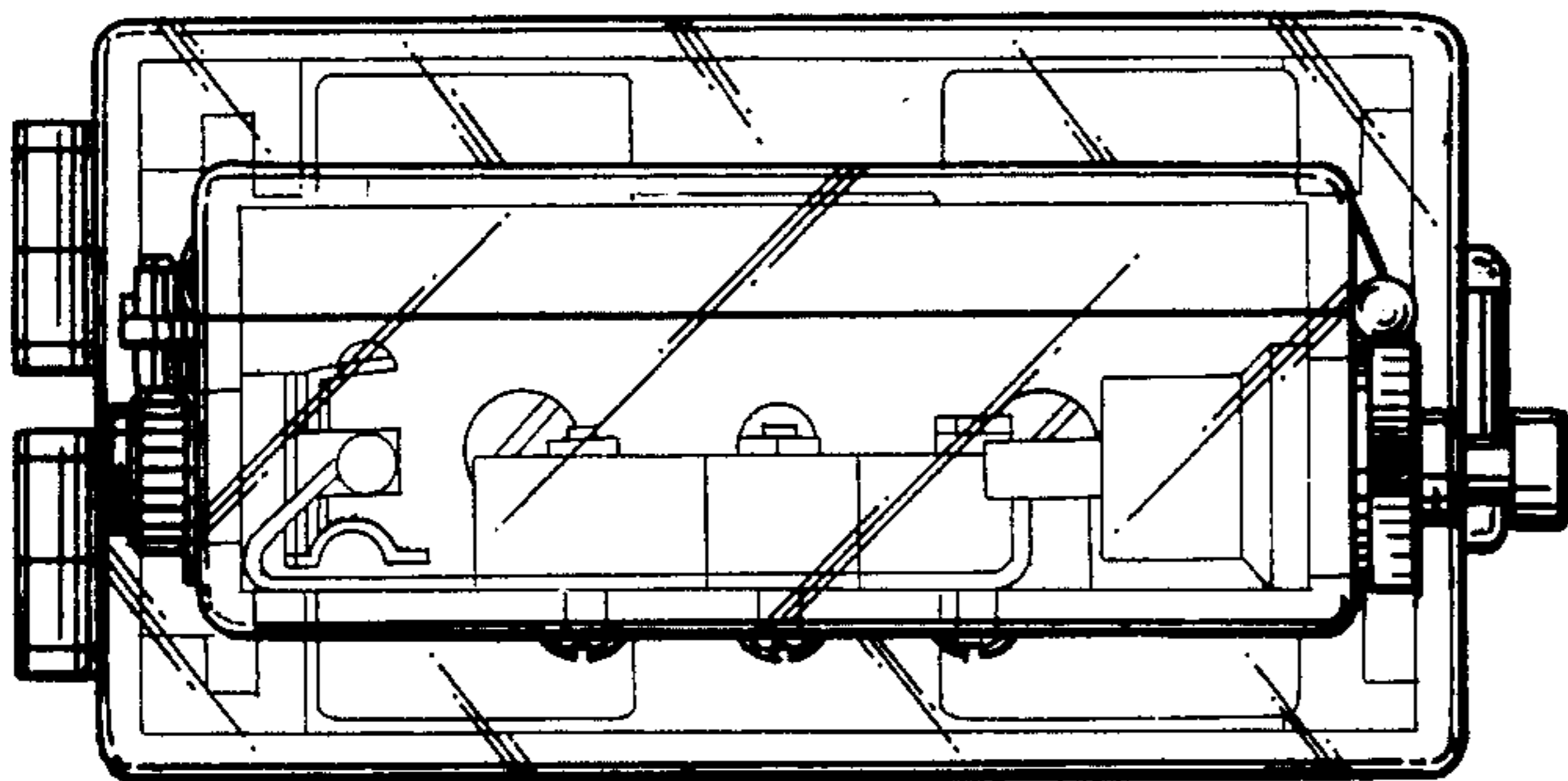


FIG. 2

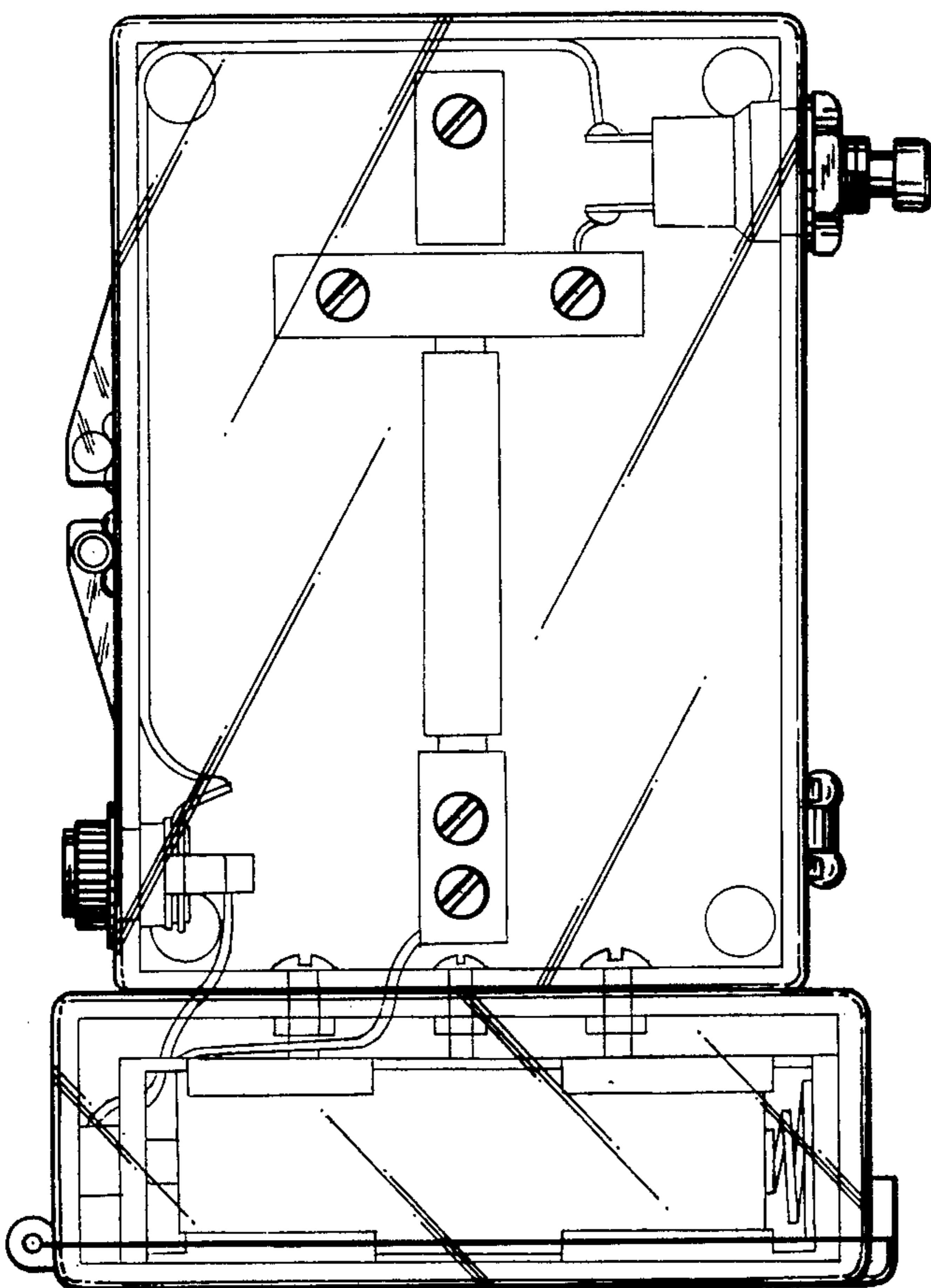


FIG. 3

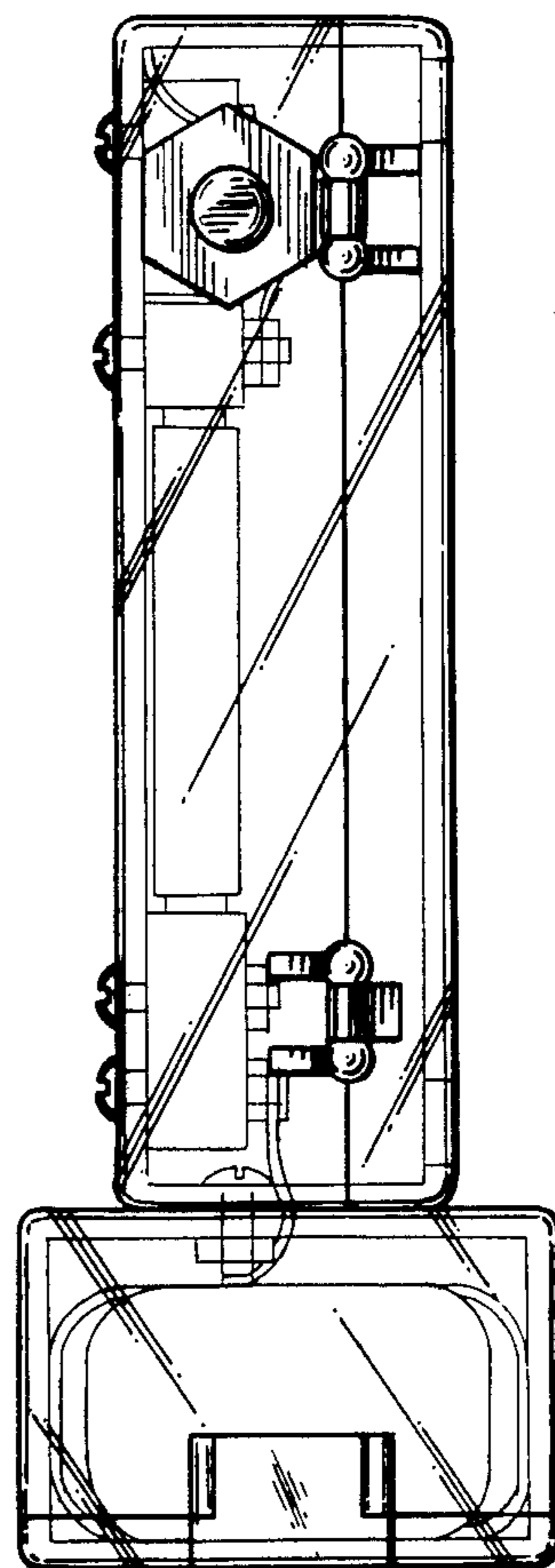


FIG. 4

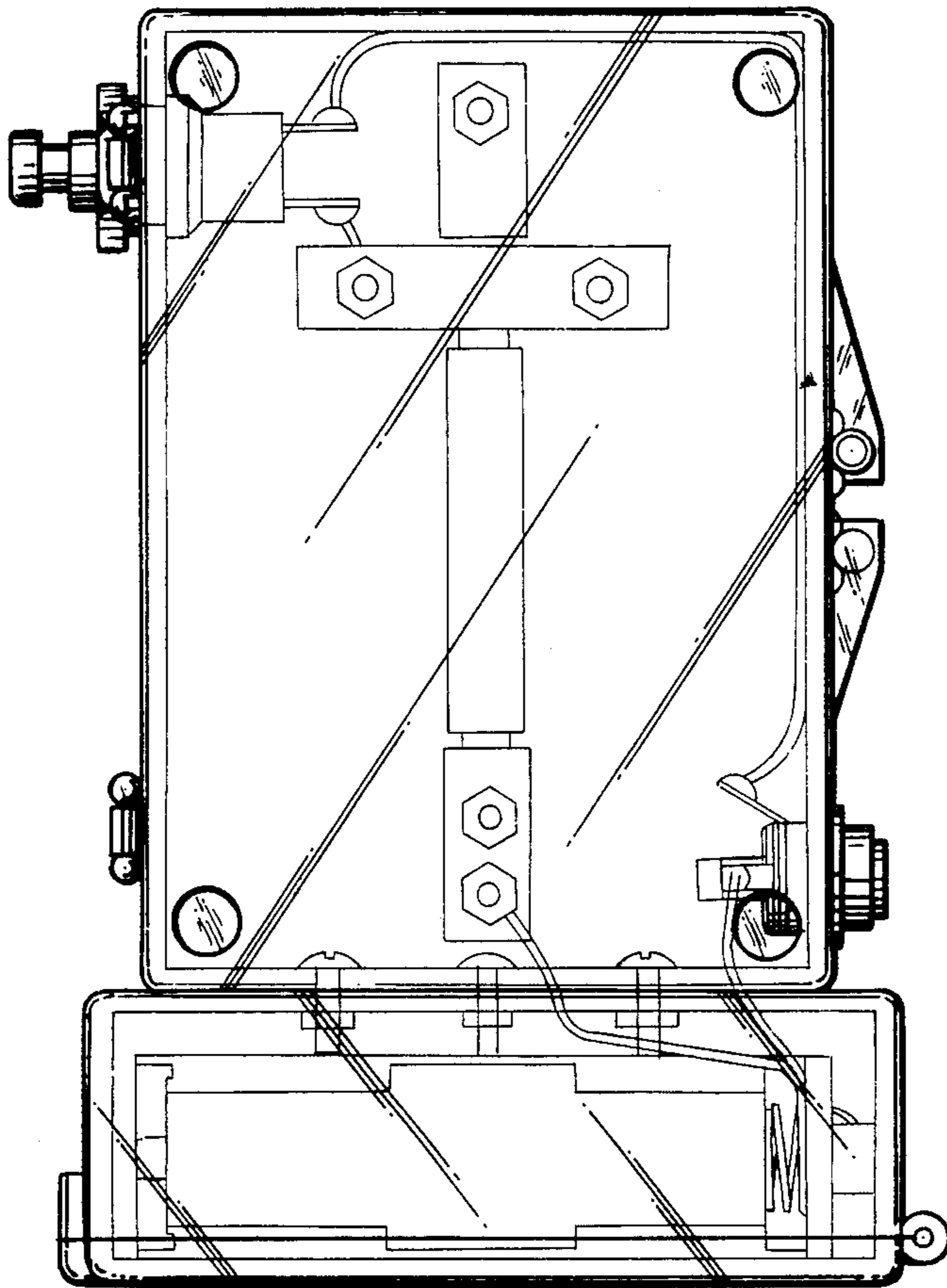


FIG. 5

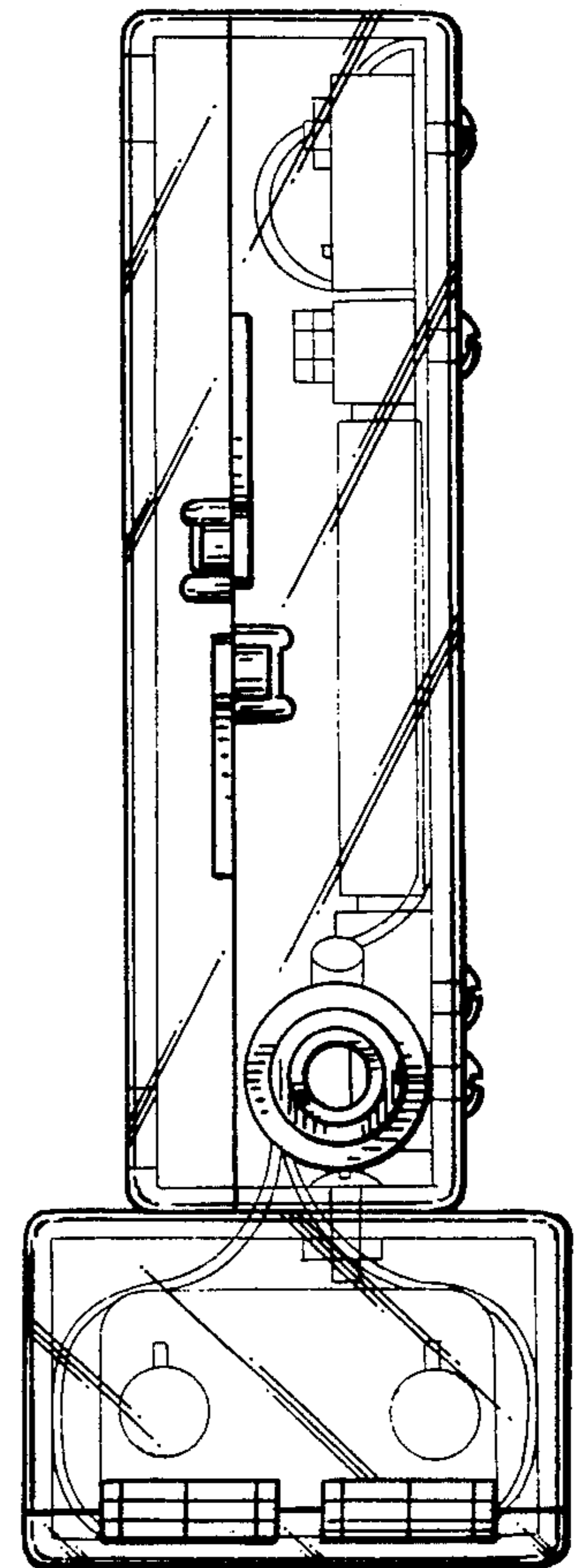


FIG. 6

