

[54] CART FOR FISHING EQUIPMENT

[76] Inventors: **Harvey B. Powers; Joan H. Powers,**
both of 8172 Electric Ave., Vienna,
Va. 22180

[**] Term: **14 Years**

[21] Appl. No.: **724,936**

[22] Filed: **Sept. 20, 1976**

[51] Int. Cl. **D12-02**

[52] U.S. Cl. **D12/29**

[58] Field of Search **D12/29; D6/85;**
211/60 R, 71; 280/47.19, 47.34, 47.35, 79.1,
79.2, 79.3; 248/129

[56] **References Cited**

U.S. PATENT DOCUMENTS

3,669,464	6/1972	Linzmeier	280/47.35
3,780,466	12/1973	Hadnot	280/47.19
D. 146,241	1/1947	Wiser	280/79.3

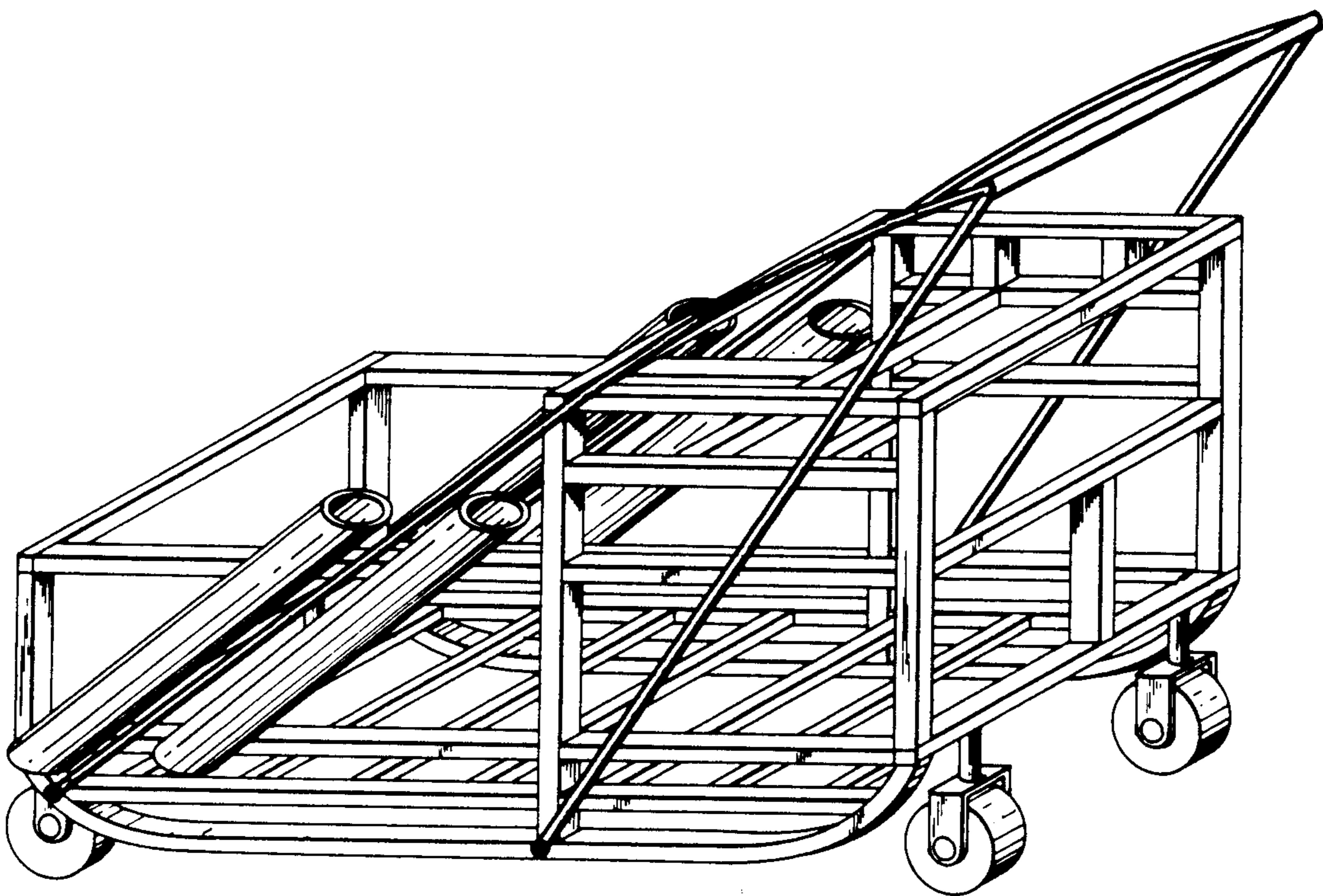
Primary Examiner—Wallace R. Burke
Assistant Examiner—James M. Gandy
Attorney, Agent, or Firm—George J. Neilan

[57] **CLAIM**

The ornamental design for a cart for fishing equipment,
as shown.

DESCRIPTION

FIG. 1 is a perspective view of a cart for fishing equip-
ment showing our new design;
FIG. 2 is a side elevational view thereof;
FIG. 3 is a top plan view thereof.



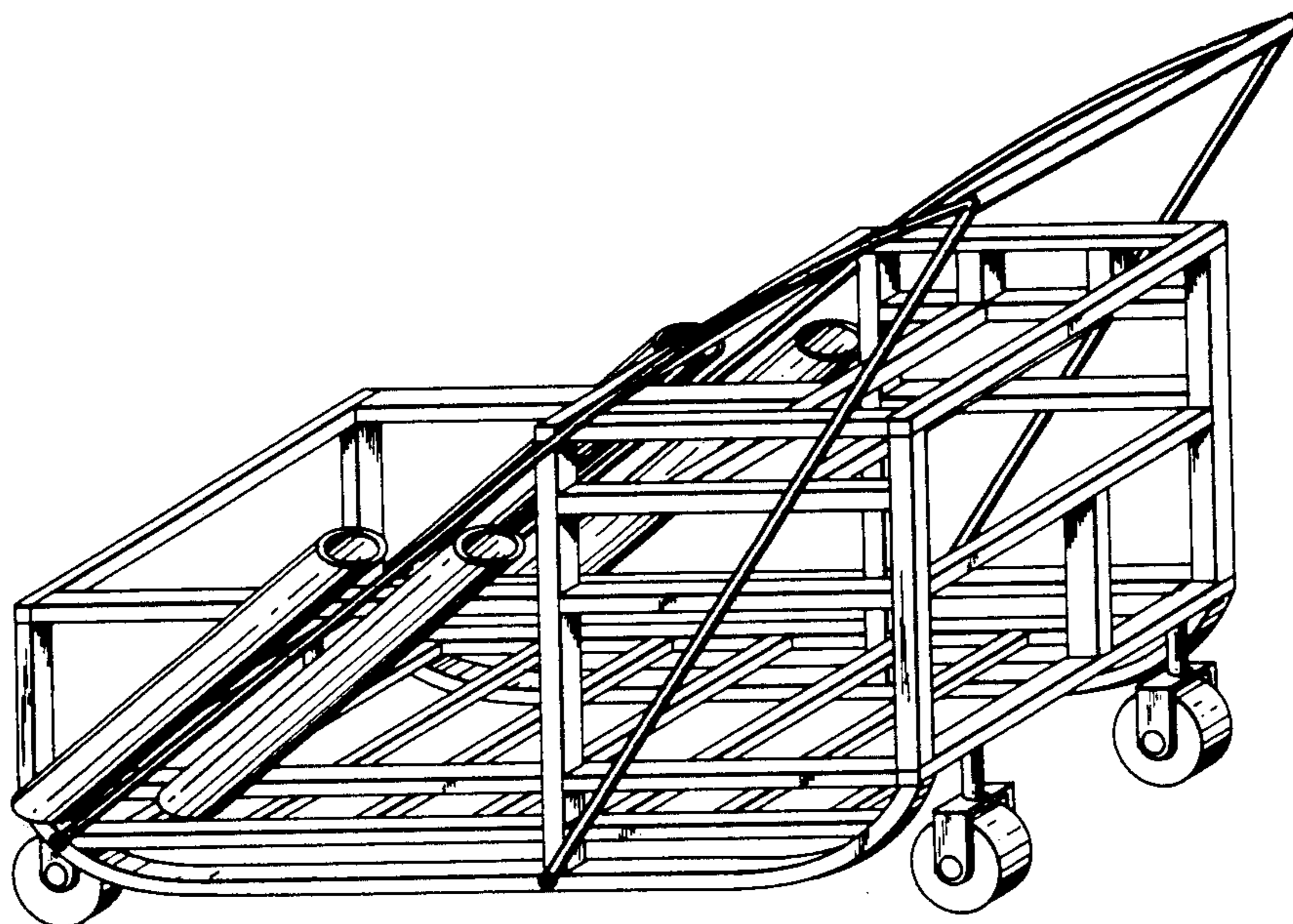


FIG. 1

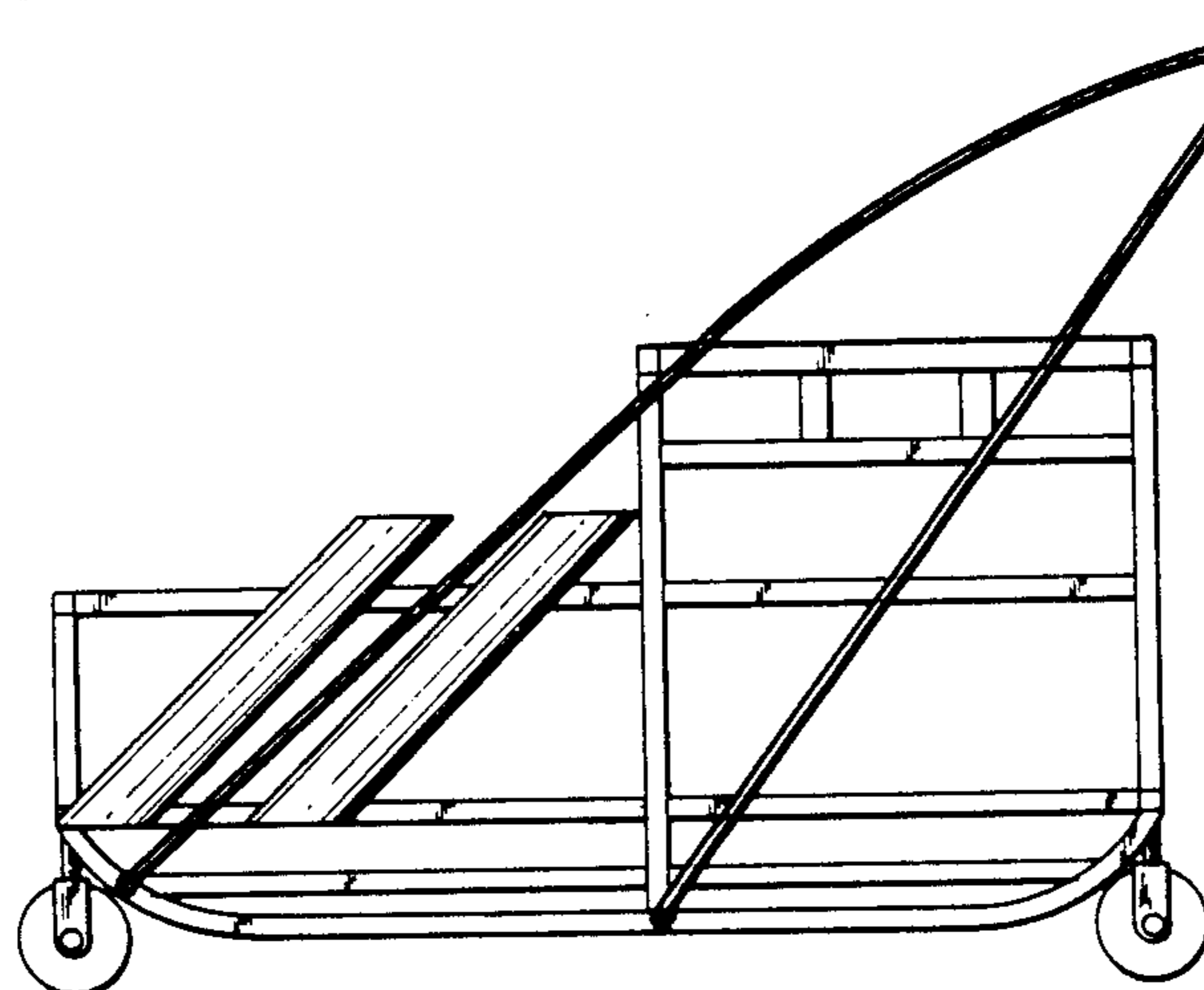


FIG. 2

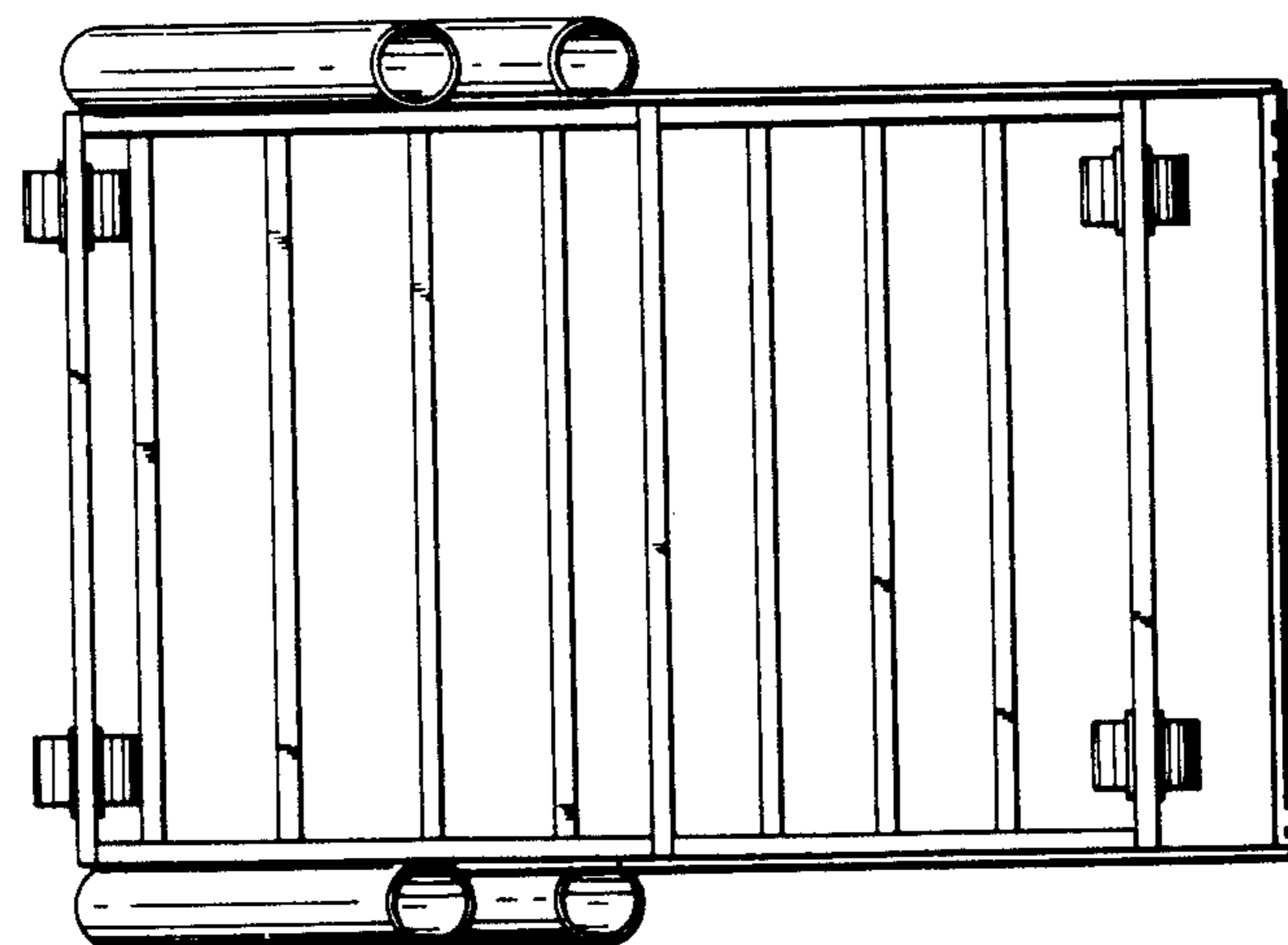


FIG. 3