

[54] PROBE COVER

[75] Inventor: Jerald P. Dykstra, Austin, Tex.

[73] Assignee: Amsco/Medical Electronics, Inc., Austin, Tex.

[\*\*] Term: 14 Years

[21] Appl. No.: 690,734

[22] Filed: May 27, 1976

[51] Int. Cl. .... D10-04

[52] U.S. Cl. .... D10/60

[58] Field of Search ..... D10/46, 57, 60, 102, D10/103; 73/362 AR, 362 SC, 431

[56] References Cited

U.S. PATENT DOCUMENTS

D. 199,472 10/1964 Haggard ..... D10/46  
D. 218,851 9/1970 Sato ..... D10/60

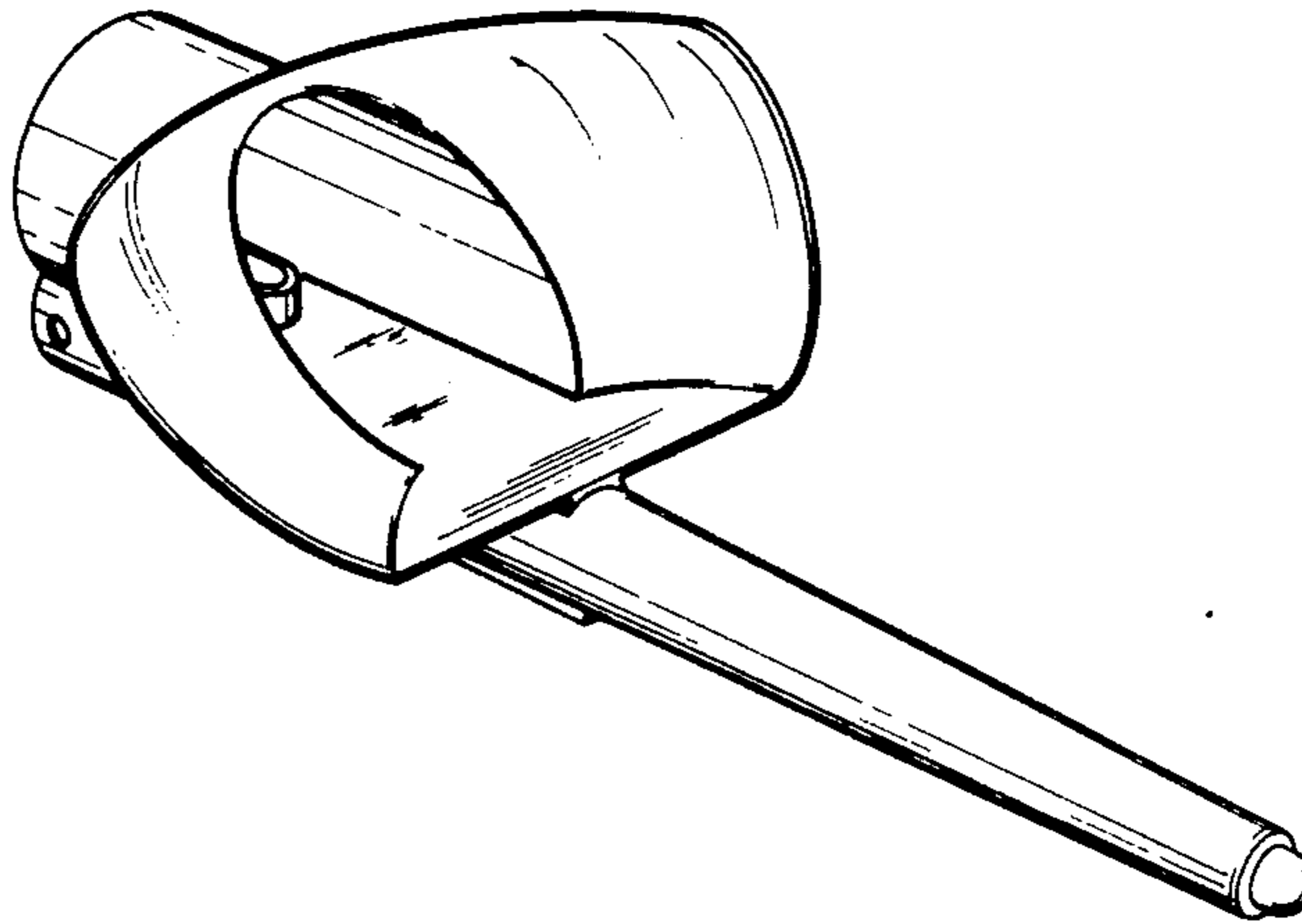
Primary Examiner—Nelson C. Holtje  
Attorney, Agent, or Firm—D. Carl Richards

[57] CLAIM

The ornamental design for a probe cover, as shown and described.

DESCRIPTION

FIG. 1 is a top left front perspective view of a probe cover showing my new design;  
FIG. 2 is a bottom left rear perspective view thereof;  
FIG. 3 is a top plan view thereof;  
FIG. 4 is a left side elevational view thereof, the right side being a mirror image thereto;  
FIG. 5 is a bottom plan view thereof;  
FIG. 6 is a front elevational view thereof;  
FIG. 7 is a rear elevational view thereof.



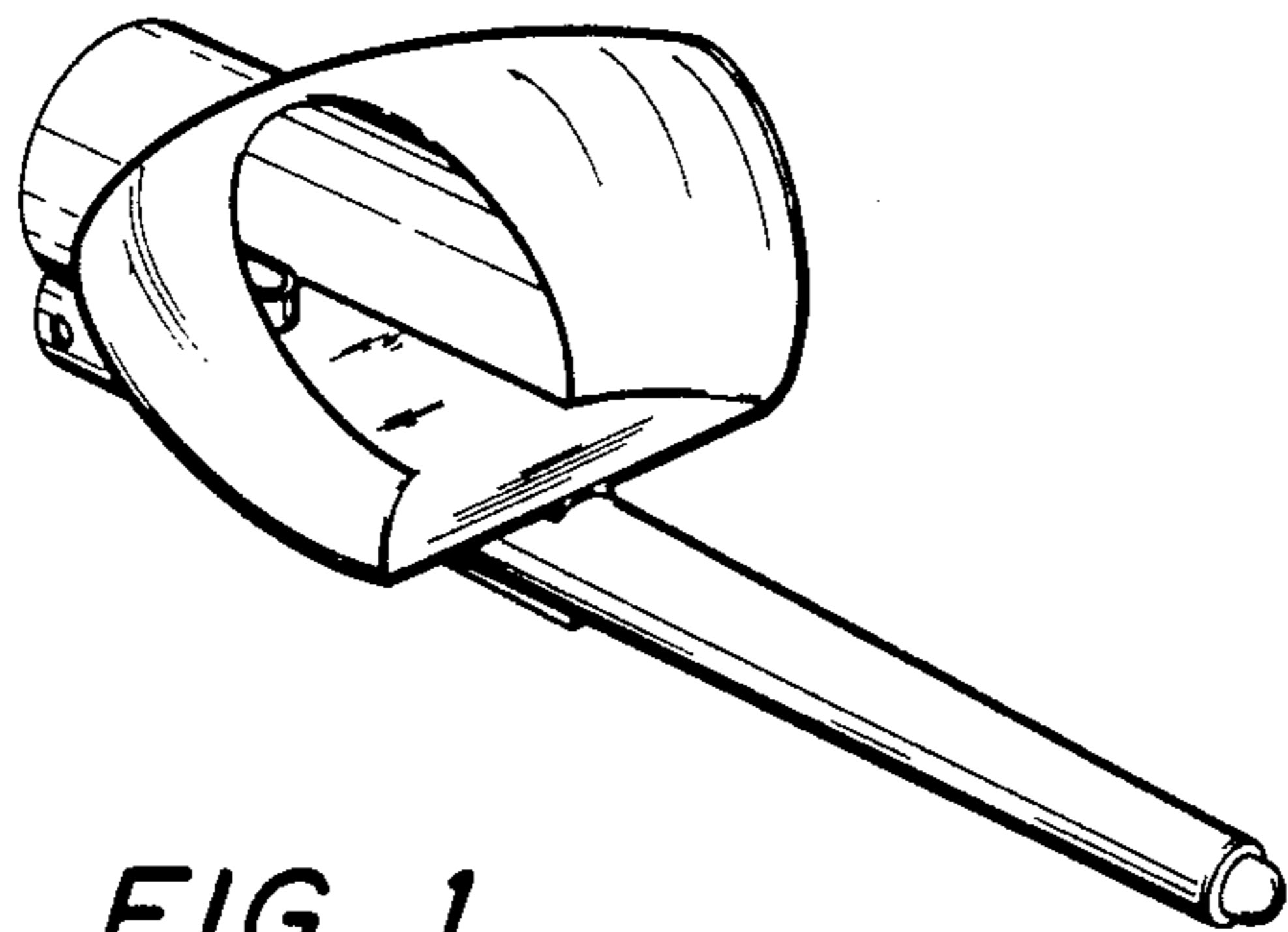


FIG. 1

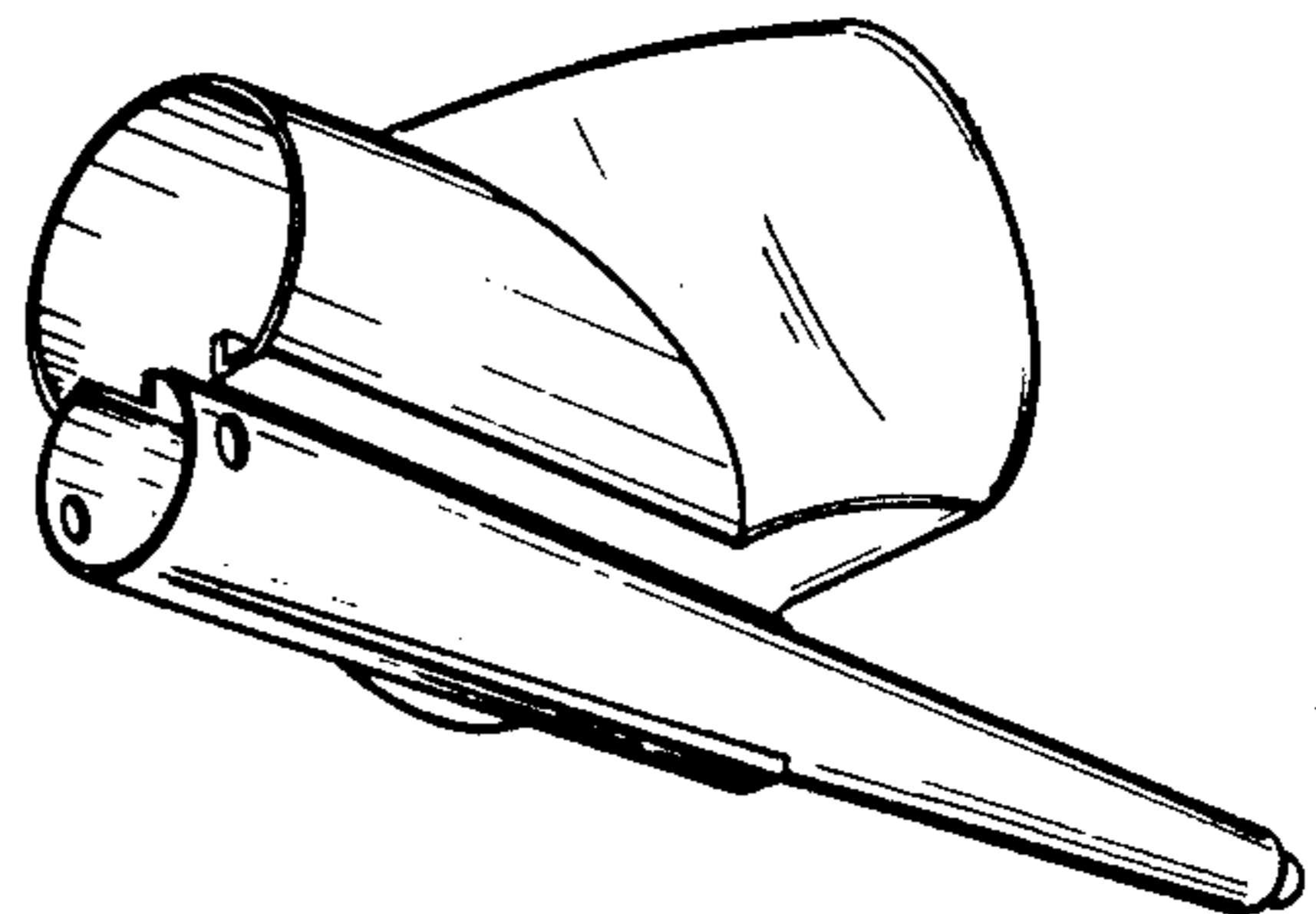


FIG. 2

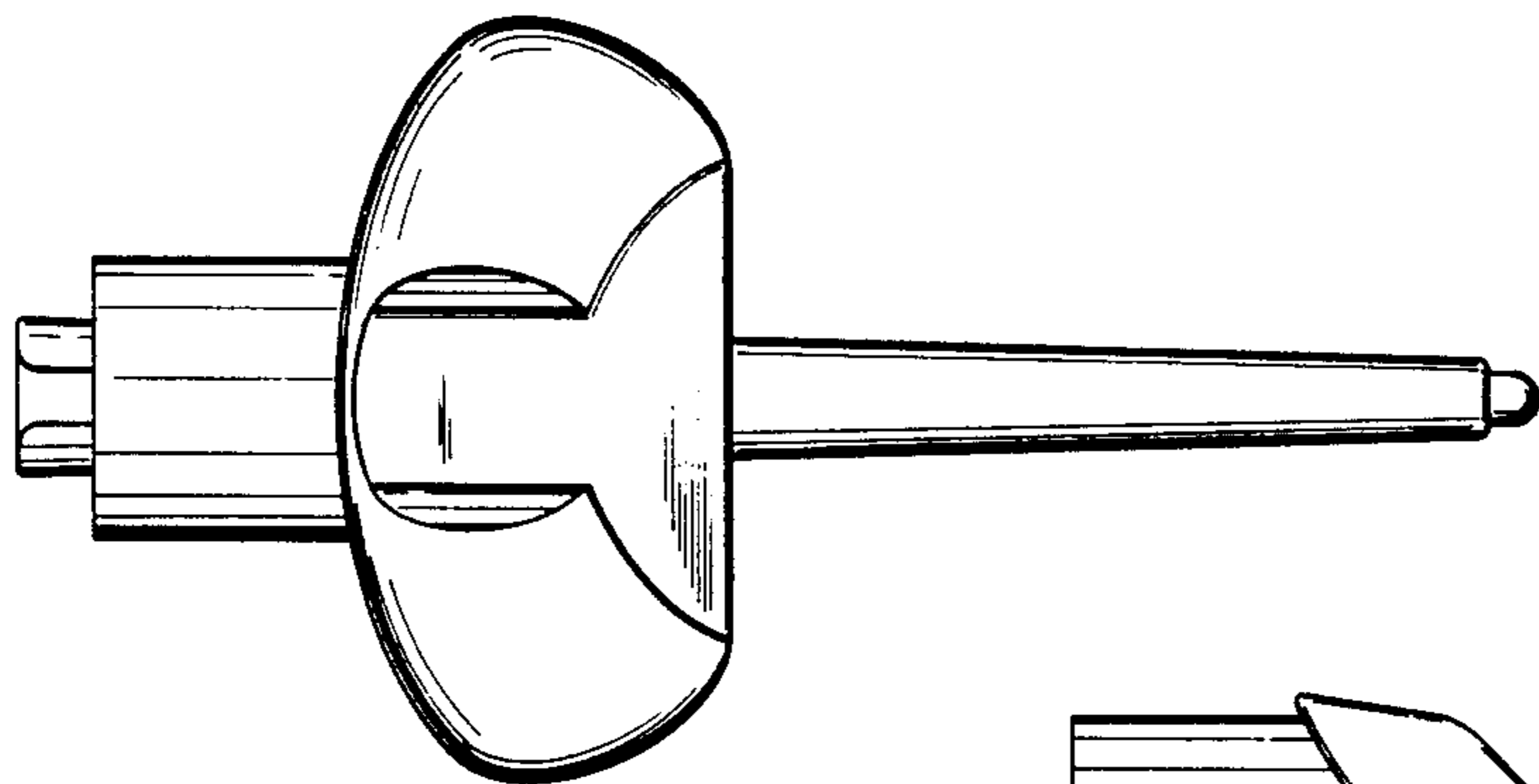


FIG. 3

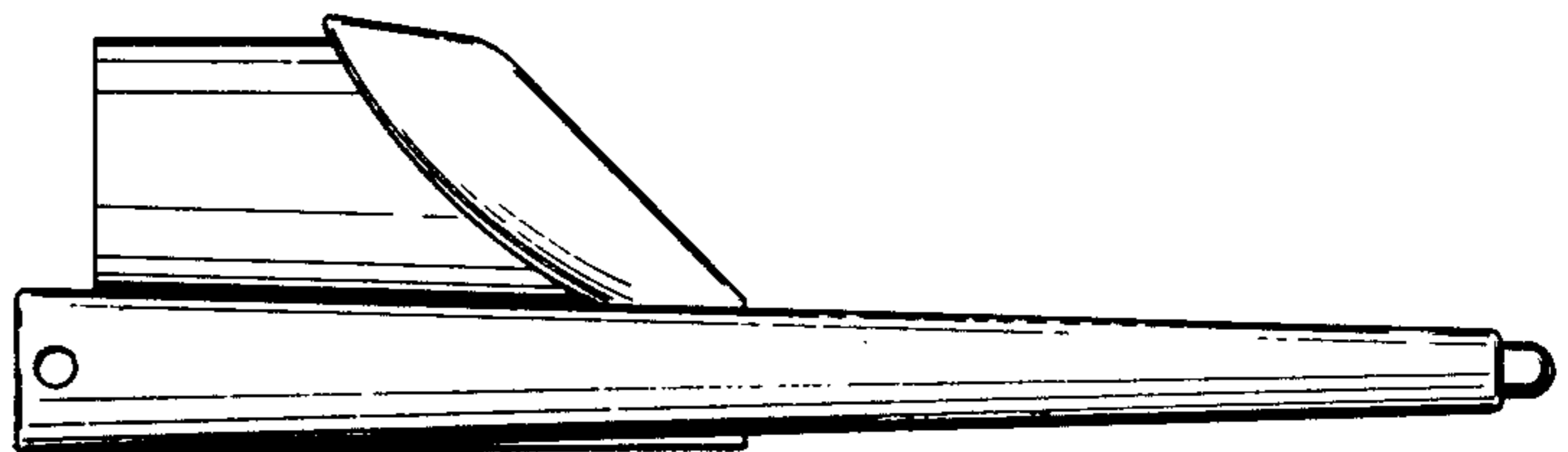


FIG. 4

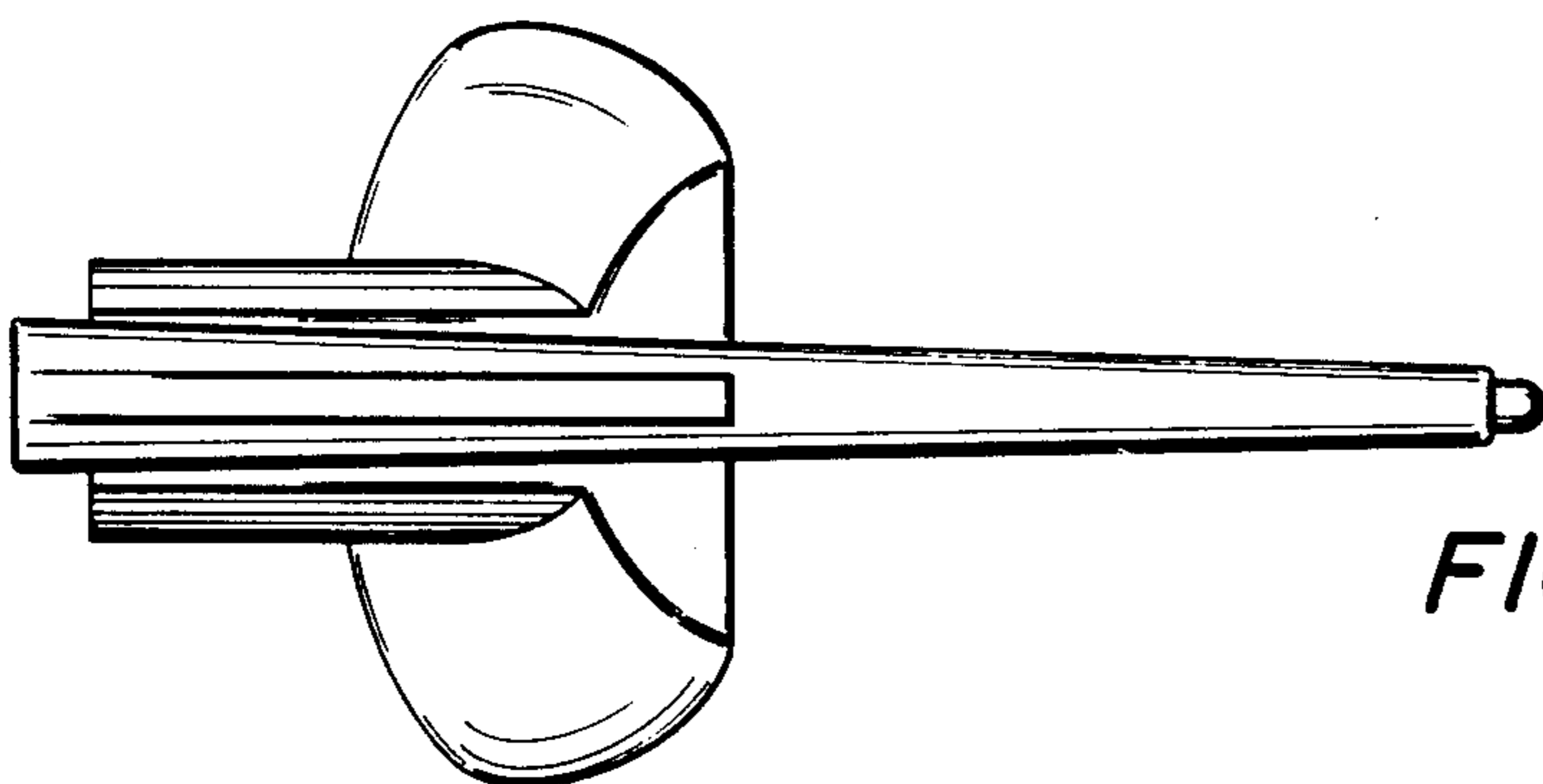


FIG. 5

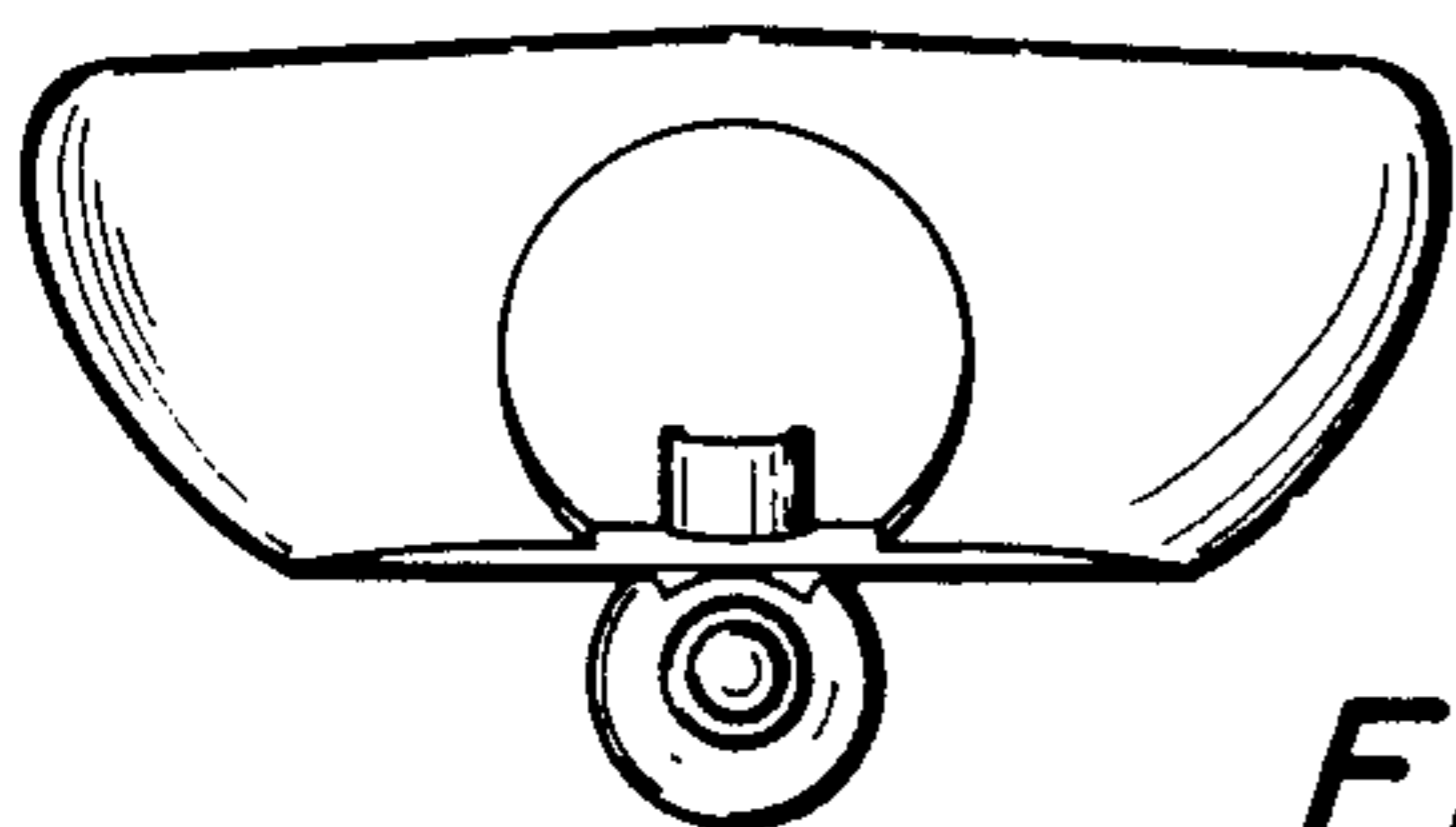


FIG. 6

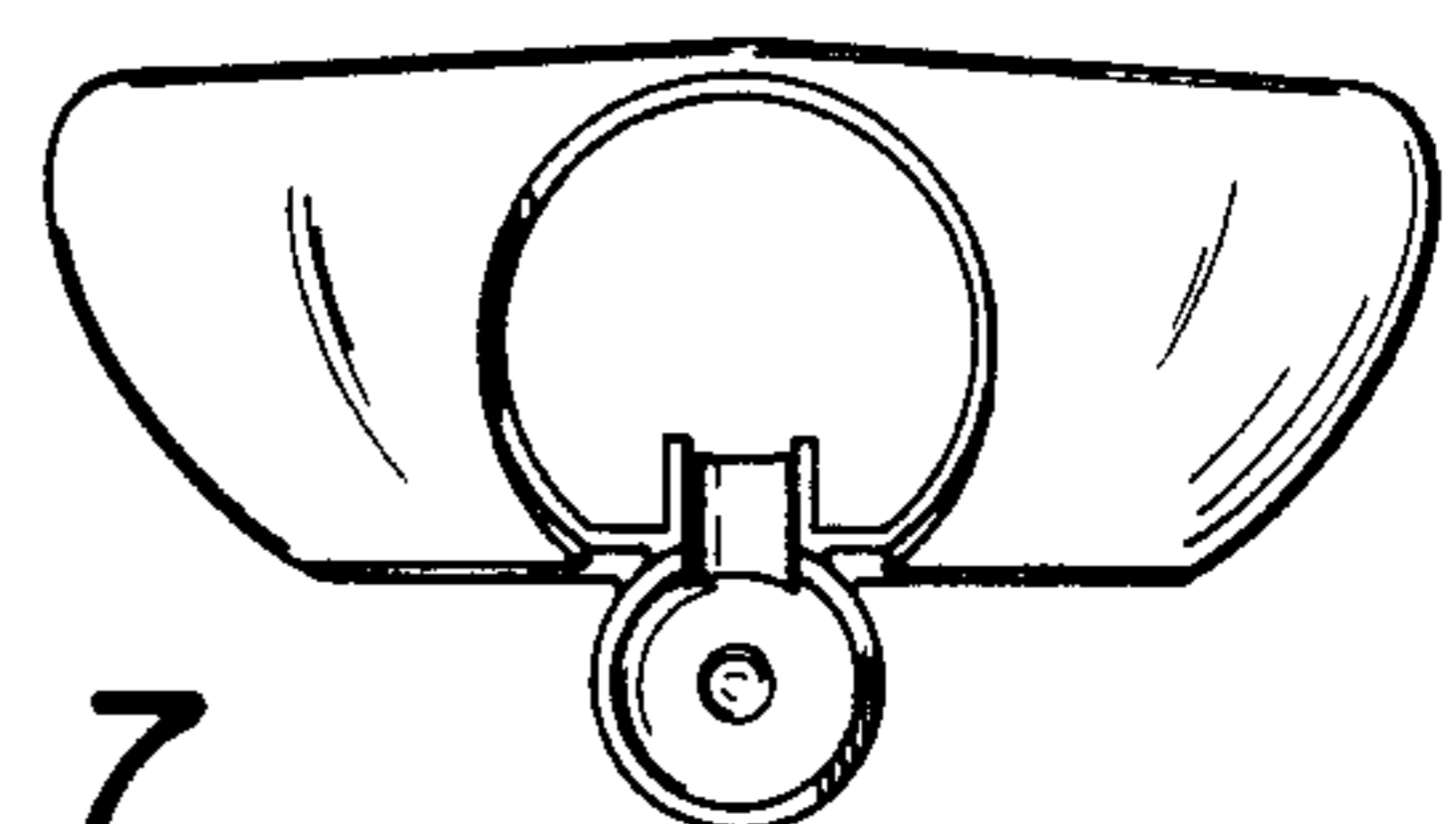


FIG. 7