

[54] MATERIAL HANDLING BOX

[75] Inventor: William R. Powell, Hubbard, Ohio

[73] Assignee: The Powell Pressed Steel Company, Hubbard, Ohio

[\*] Notice: The portion of the term of this patent subsequent to Apr. 12, 1991, has been disclaimed.

[\*\*] Term: 14 Years

[21] Appl. No.: 631,492

[22] Filed: Nov. 13, 1975

[51] Int. Cl. .... D9-04

[52] U.S. Cl. .... D9/246

[58] Field of Search .... D9/246-248, D9/176-179; D87/1 R; 220/DIG. 2, 14, 45, 1 R; 206/503-520

[56]

References Cited

U.S. PATENT DOCUMENTS

D. 188,073	5/1960	Lovell .....	D87/1 R
D. 193,215	7/1962	Frederick .....	D9/247
D. 205,799	9/1966	Josephson .....	D87/1 R
D. 233,181	10/1974	Powell .....	D87/1 R
D. 241,480	9/1976	Silver et al. ....	D87/1 R

Primary Examiner—Robert C. Spangler  
Attorney, Agent, or Firm—Webster B. Harpman

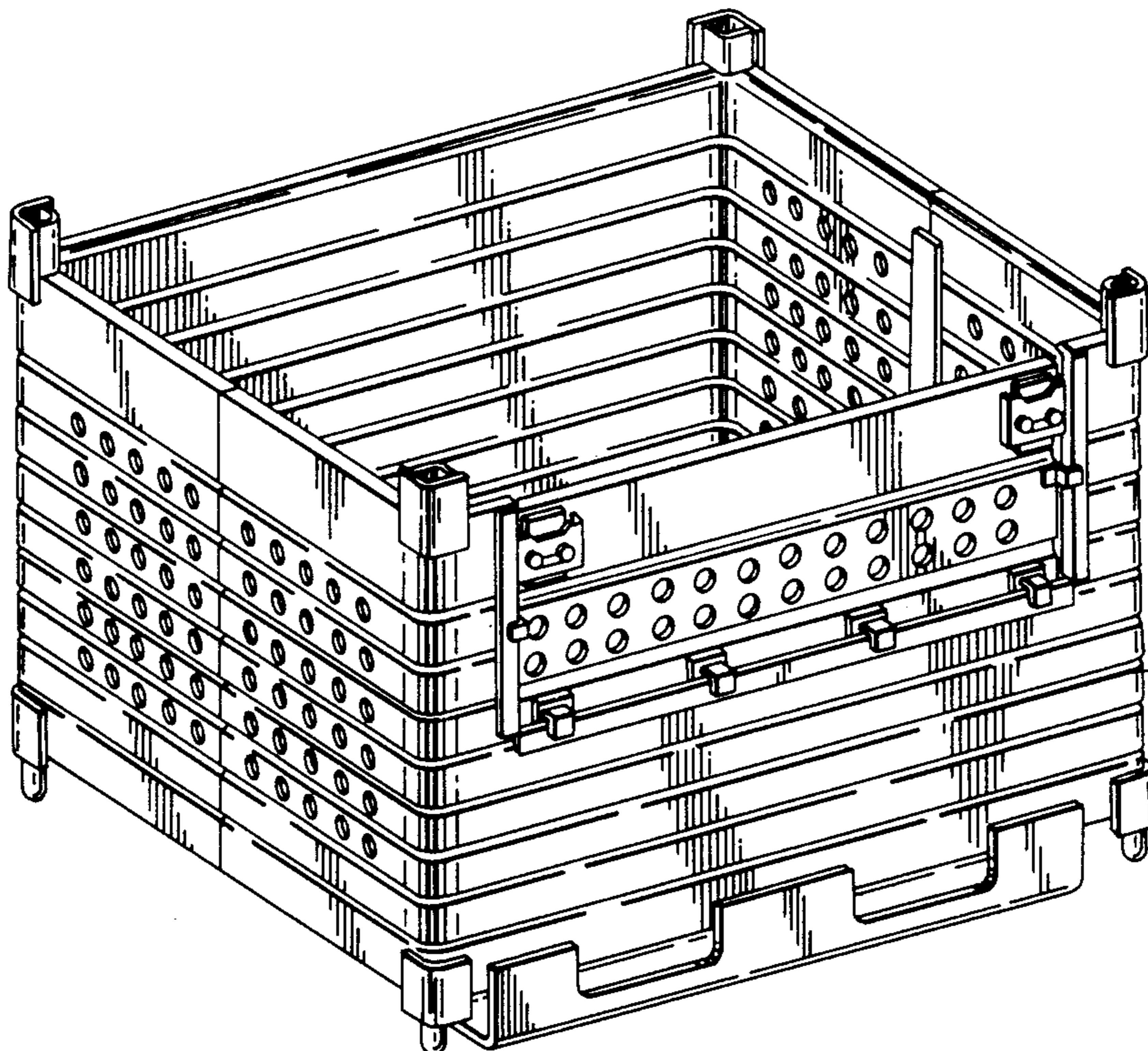
[57]

CLAIM

The ornamental design for a material handling box, as shown and described.

DESCRIPTION

FIG. 1 is a front perspective view of a material handling box showing my new design; FIG. 2 is a rear perspective view thereof; FIG. 3 is a front perspective view showing a modified form of my new design; and FIG. 4 is a rear perspective view thereof.



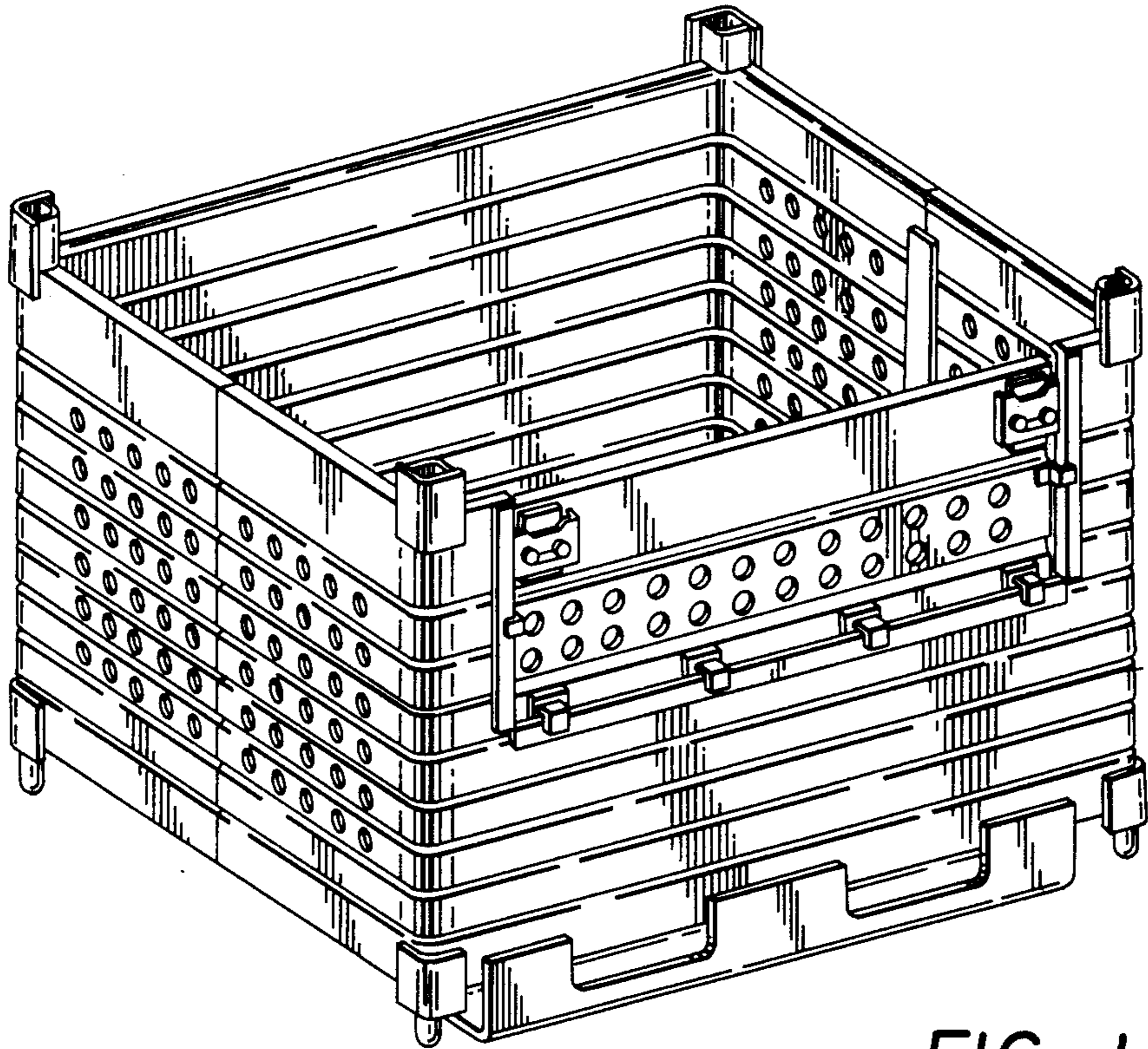


FIG. 1

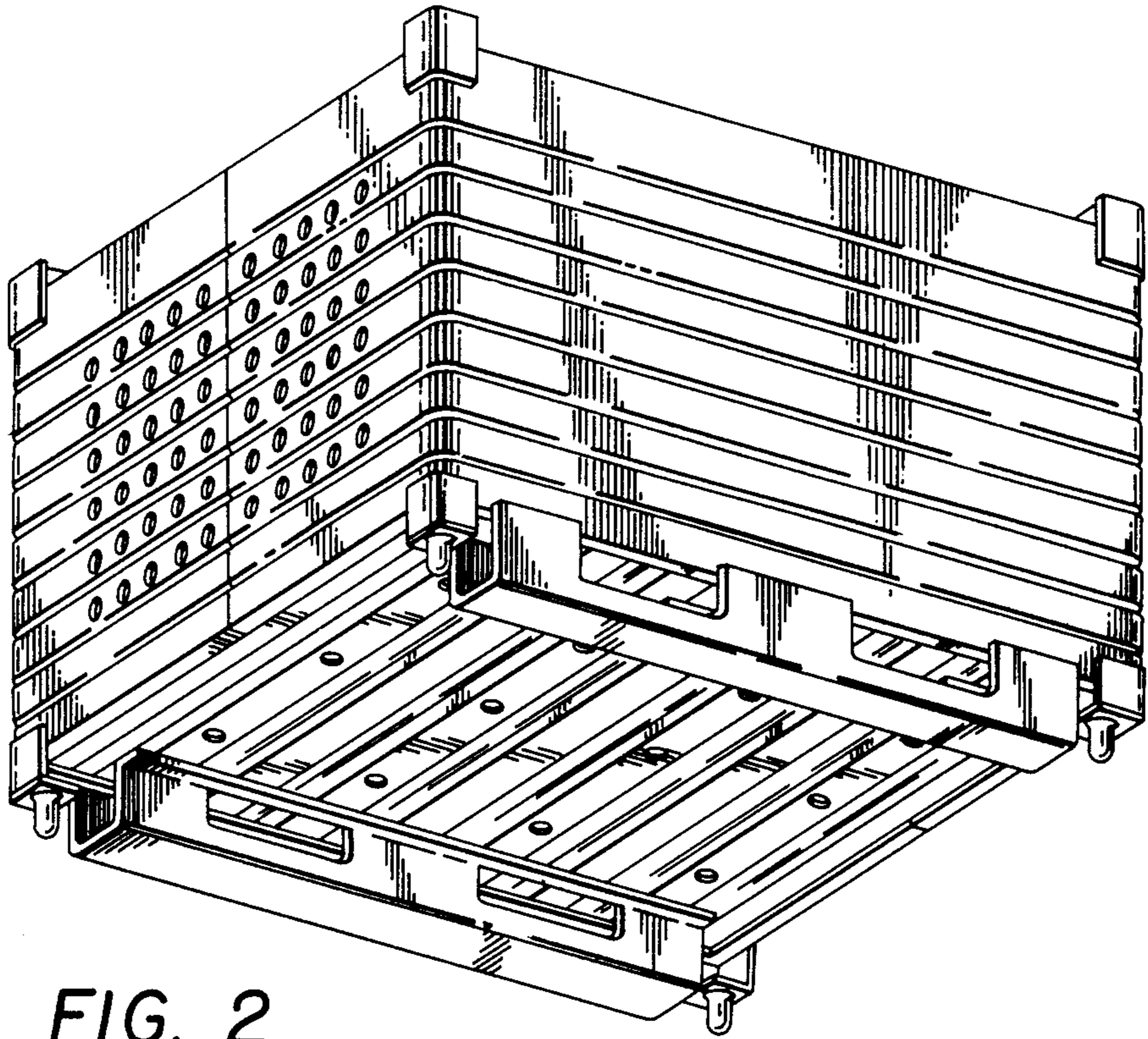


FIG. 2

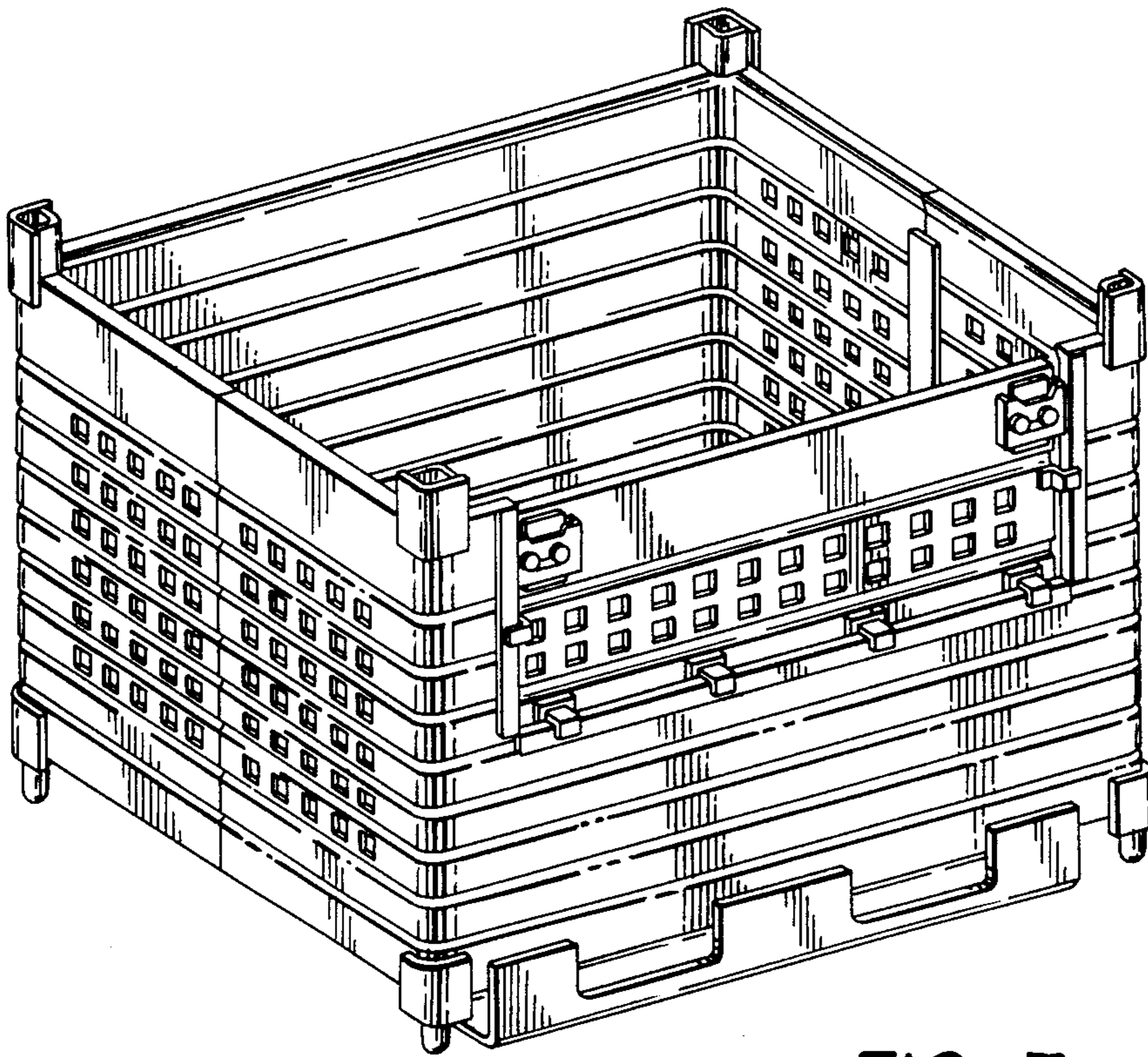


FIG. 3

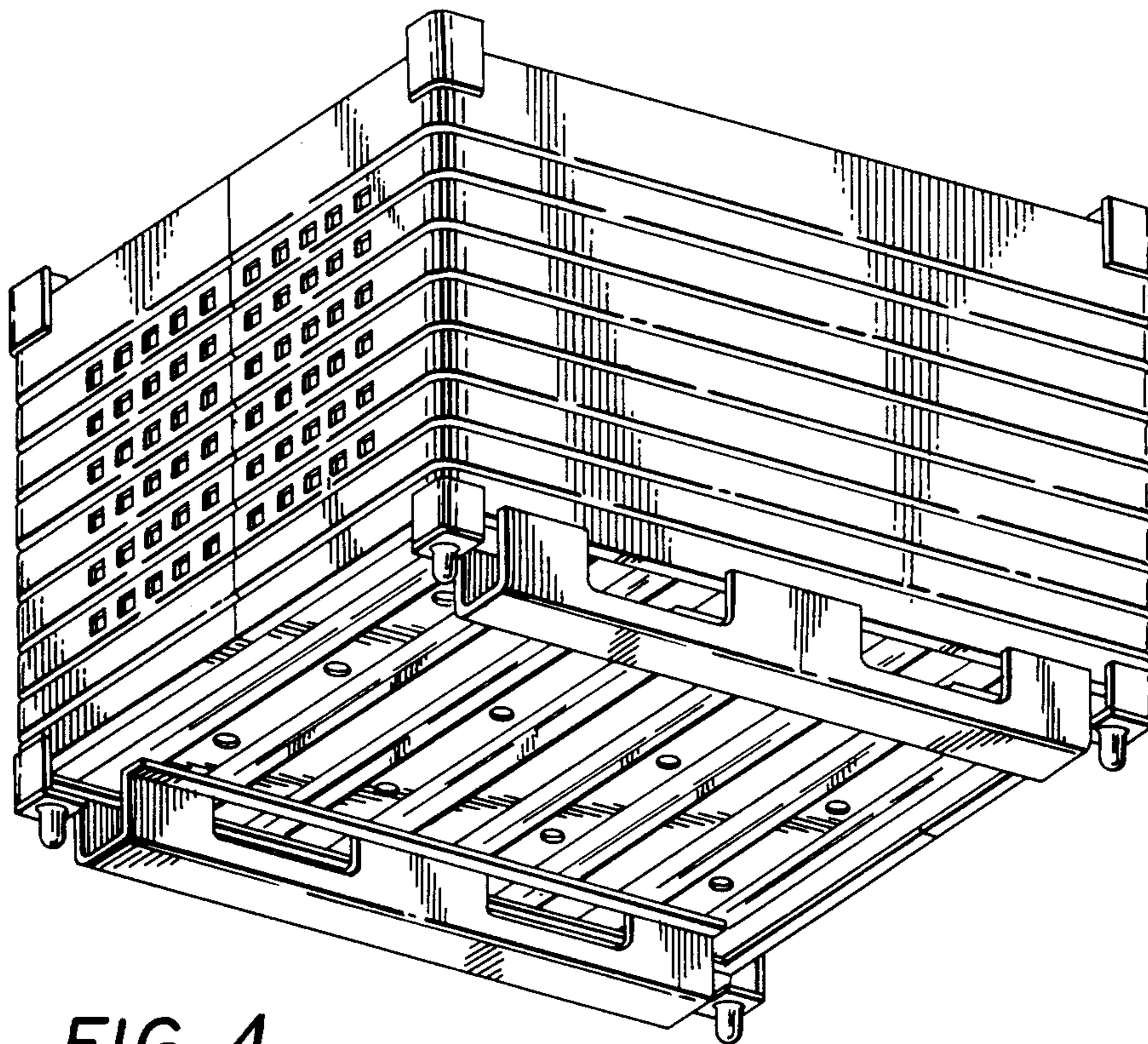


FIG. 4