

[54] COMBINED DISPLAY AND PACKAGING CONTAINER

[76] Inventor: W. Lee Einhorn, 253 Parkside Drive, Suffern, N.Y. 10901

[**] Term: 14 Years

[21] Appl. No.: 671,256

[22] Filed: Mar. 29, 1976

[51] Int. Cl. D9-03

[52] U.S. Cl. D9/195

[58] Field of Search D9/195, 222-229, D9/237-240; D11/121-123; D34/15 AH

[56] References Cited

U.S. PATENT DOCUMENTS

2,299,511	10/1942	Steiner	D9/195 X
2,573,916	11/1951	Loveday	D34/15 AH
2,917,853	12/1959	Lawsky	D11/122 X
D. 167,488	8/1952	Schwartz	D9/222

D. 167,592	8/1952	Schwartz	D9/222
D. 179,258	11/1956	Naimon	D11/122 X
D. 241,055	8/1976	Wohlstrom	D34/15 AH

Primary Examiner—Robert C. Spangler
Attorney, Agent, or Firm—J. Harold Nissen

[57] CLAIM

The ornamental design for a combined display and packaging container, substantially as shown and described.

DESCRIPTION

FIG. 1 is an exploded top perspective view of a combined display and packaging container showing my new design;

FIG. 2 is a view similar to FIG. 1 in an assembled position and on a larger scale;

FIG. 3 is a top plan view;

FIG. 4 is a bottom plan view; and

FIG. 5 is a side elevational view showing a modified form of my new design wherein the only change is in the omission of the markings on the sides.

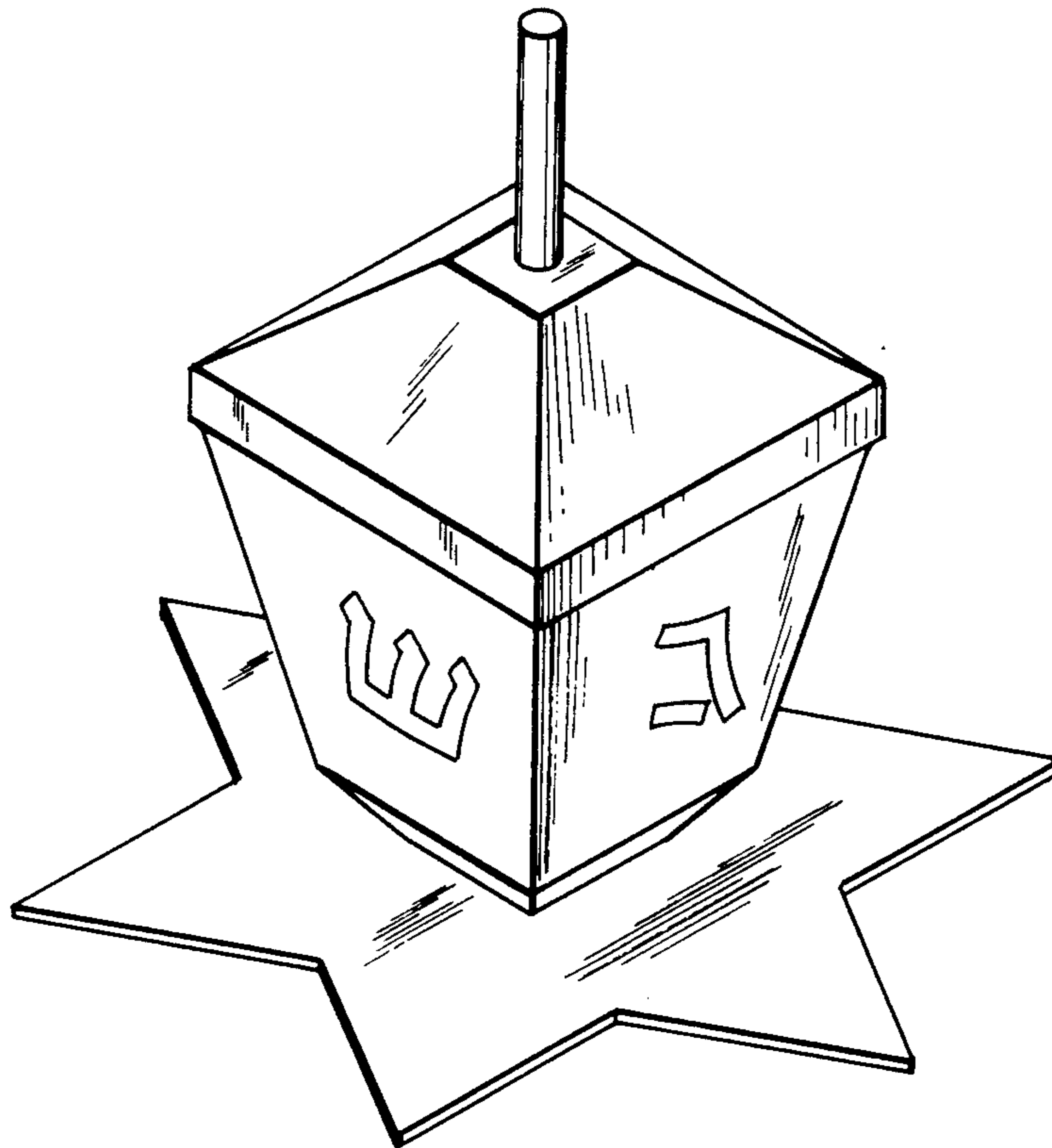


FIG. 1

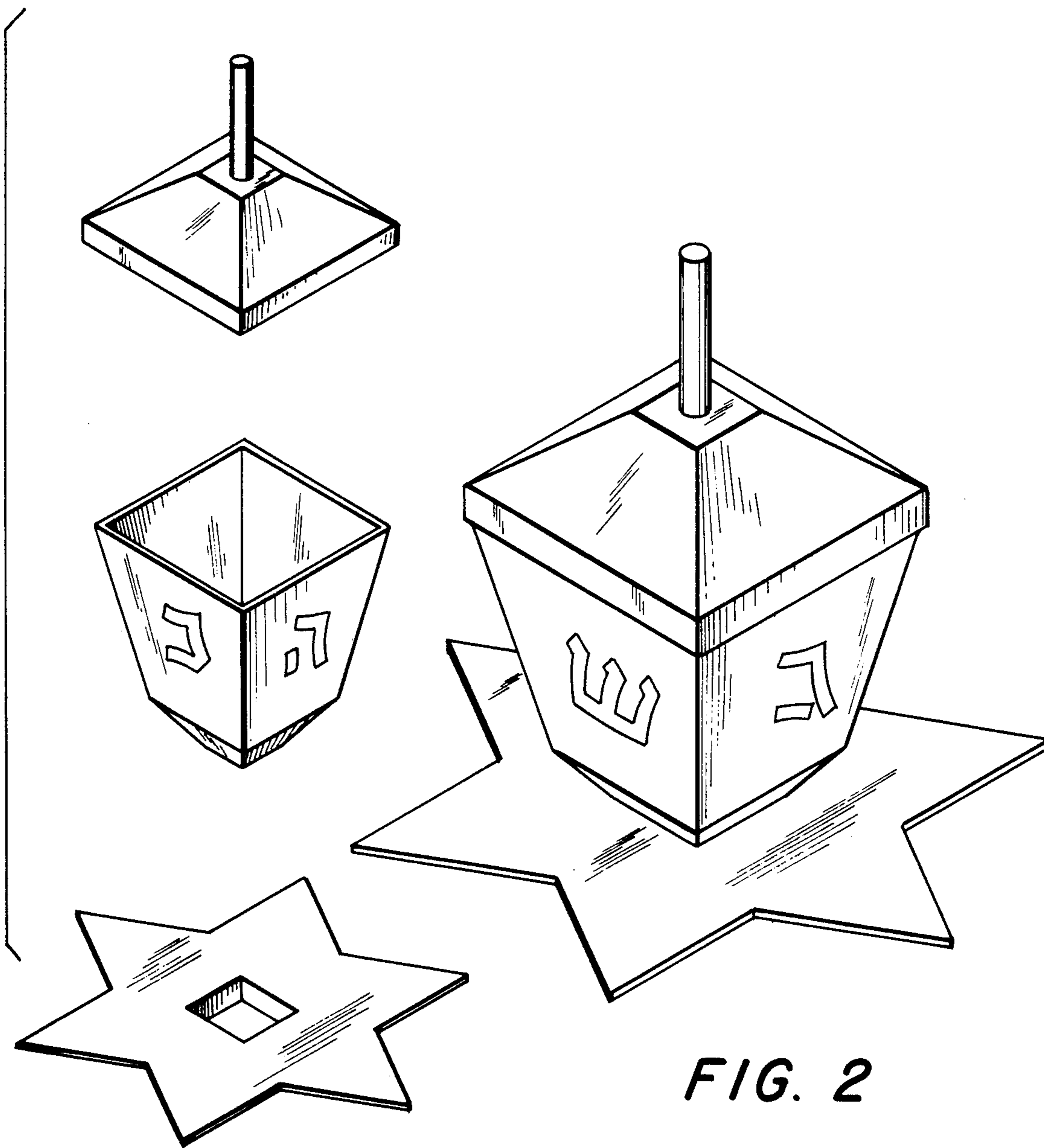


FIG. 2

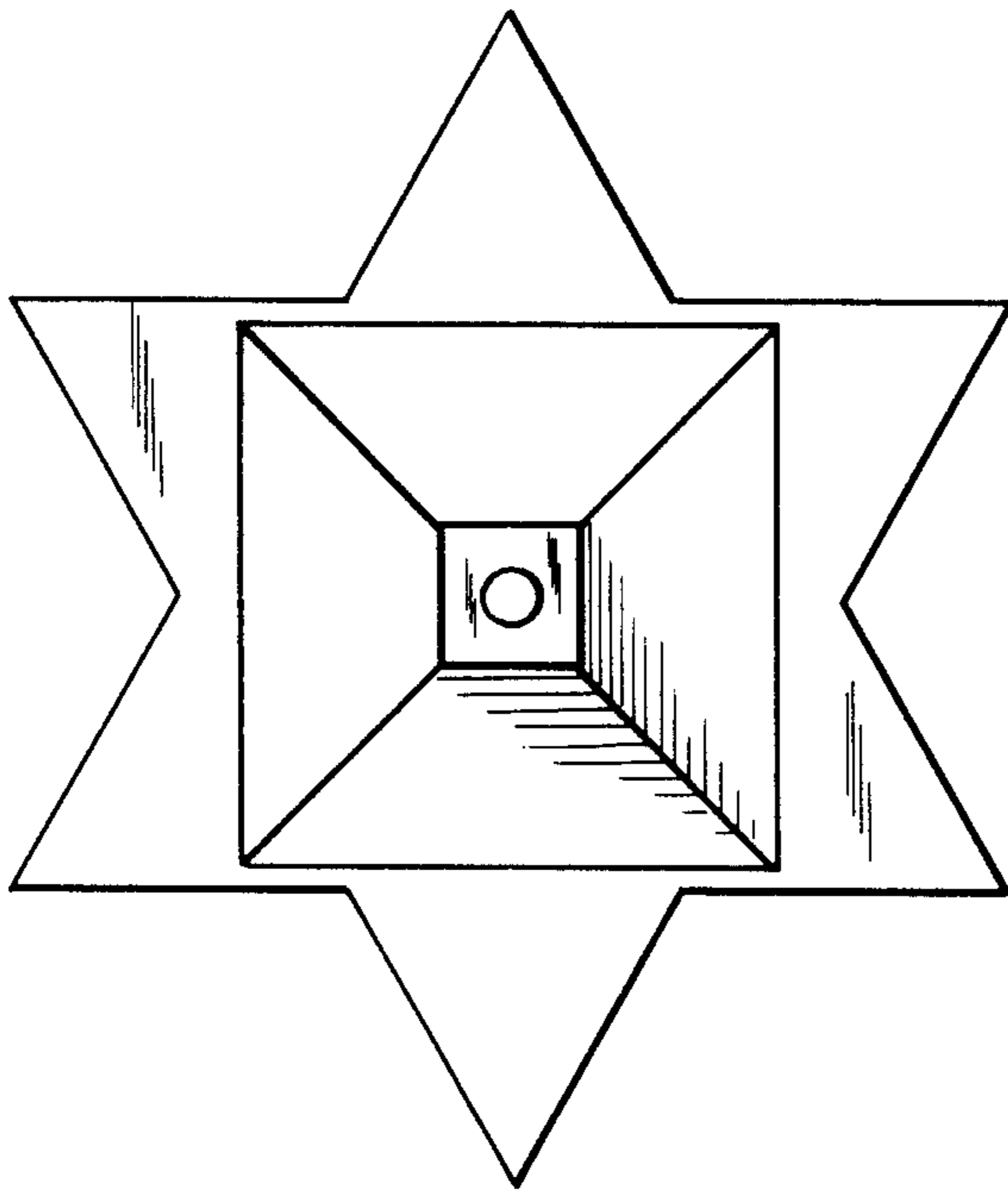


FIG. 3

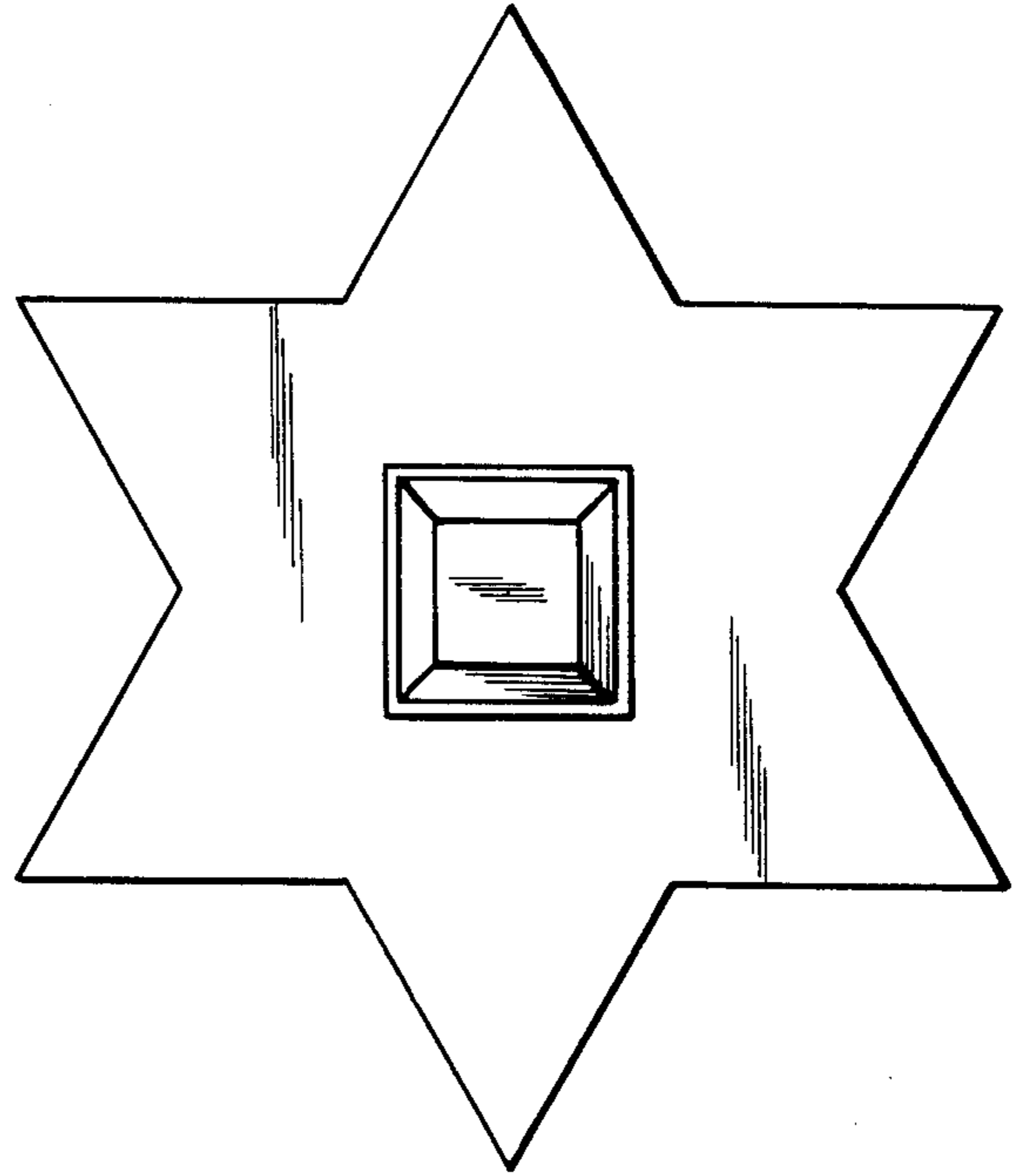


FIG. 4

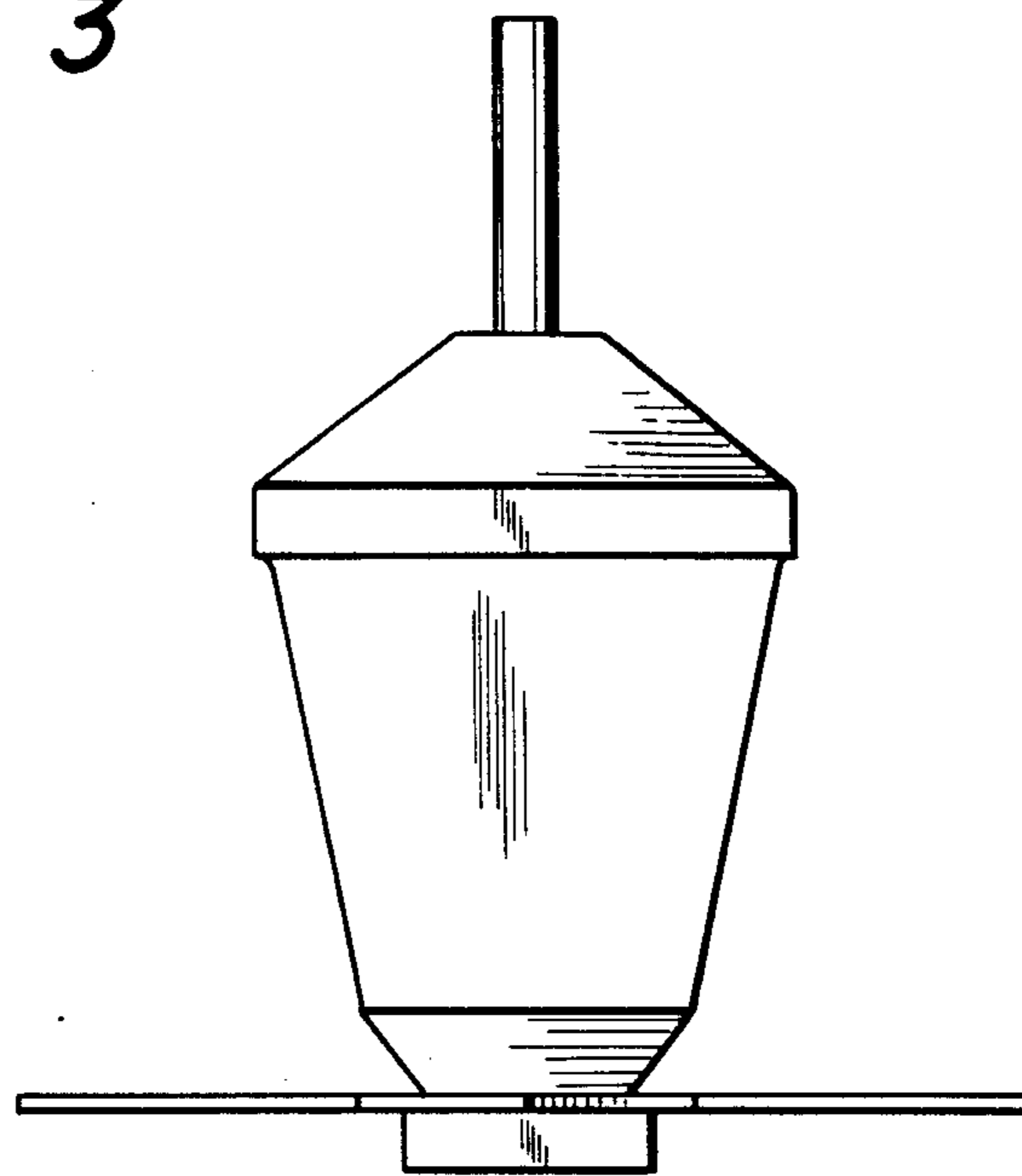


FIG. 5