

[54] DISPENSER FOR LIQUIDS

[75] Inventor: Paul W. Jespersen, Stamford, Conn.

[73] Assignee: Georgia-Pacific Corporation, Portland, Oreg.

[**] Term: 14 Years

[21] Appl. No.: 486,078

[22] Filed: July 5, 1974

[51] Int. Cl. D23-02

[52] U.S. Cl. D6/95

[58] Field of Search D6/85, 86, 89, 90, 95, D6/114; 222/173, 185

[56] References Cited

U.S. PATENT DOCUMENTS

3,437,388	4/1969	Jespersen	242/55.53
D. 104,134	4/1937	Dickson	D6/95
D. 135,463	4/1943	Packwood	D6/95
D. 227,635	7/1973	Friedman	D6/95

OTHER PUBLICATIONS

Sweet's Architectural Catalog File, 1962, sec. 26e/Bo, p. 1, soap dispenser (in center).

Sweet's Architectural Catalog File, 1970, sec. 25e/Geo, p. 2, Cormatic Tissue Dispenser 0180.

Primary Examiner—Wallace R. Burke

Assistant Examiner—B. J. Bullock

Attorney, Agent, or Firm—William E. Schuyler, Jr.

[57] CLAIM

The ornamental design for a dispenser for liquids, as shown and described.

DESCRIPTION

FIG. 1 is a front perspective view of a first embodiment of such design;

FIG. 2 is a side elevation thereof;

FIG. 3 is a front elevation thereof;

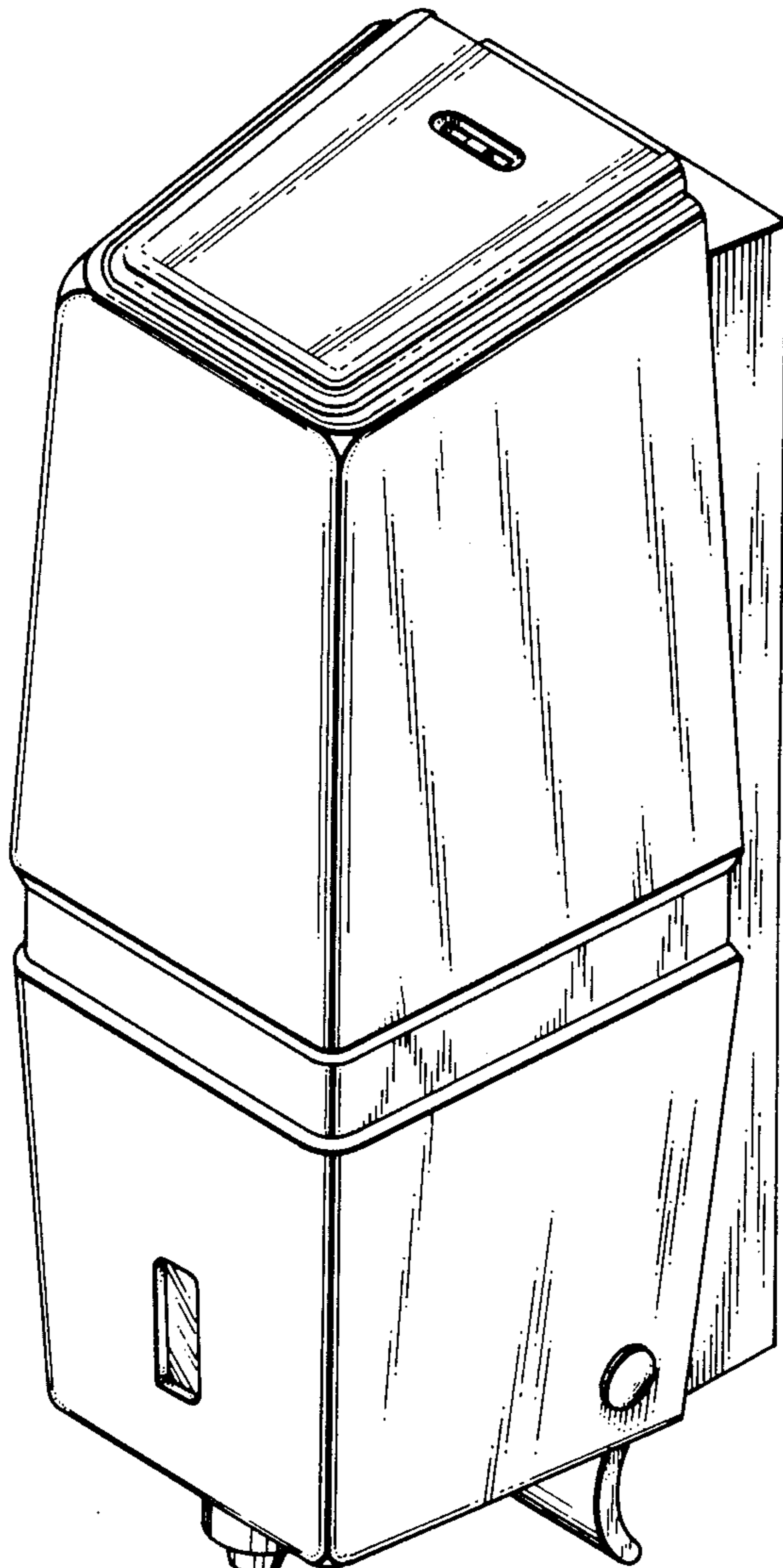
FIG. 4 is a top view thereof;

FIG. 5 is a bottom view thereof;

FIG. 6 is a partial upper front perspective view of a second embodiment of the design shown in FIG. 1 wherein the only difference resides in the contrasting metal cap;

FIG. 7 is a top view of such second embodiment;

FIG. 8 is a partial front elevation of such second embodiment, all remaining portions being the same as in FIG. 3.



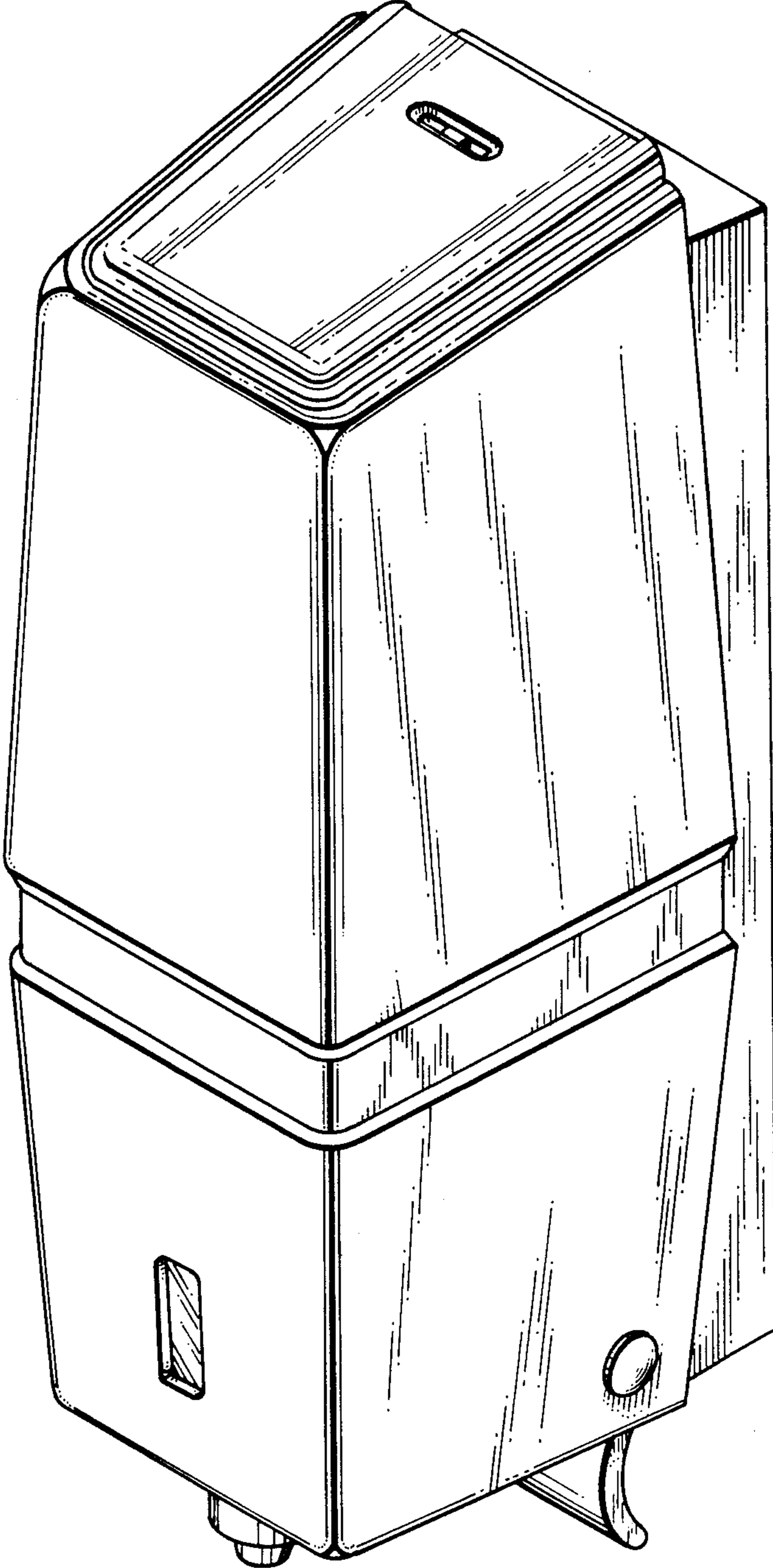


FIG. 1

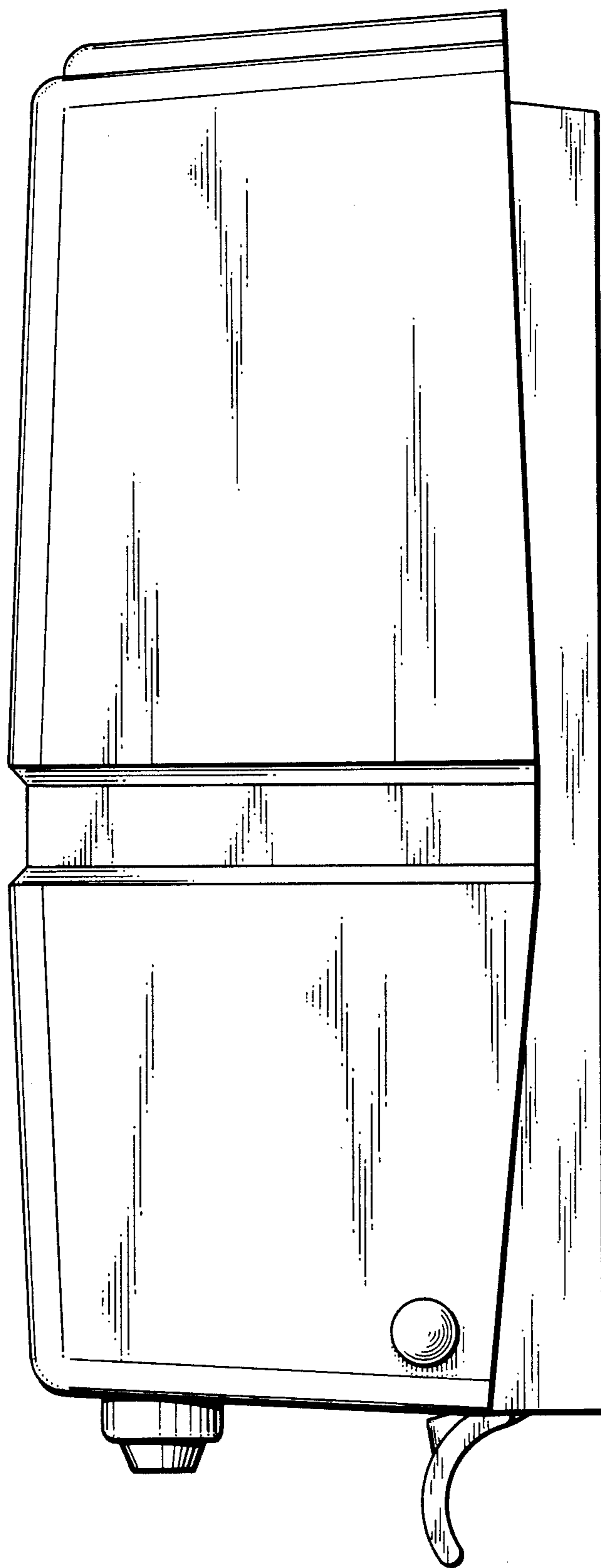


FIG. 2

FIG. 3

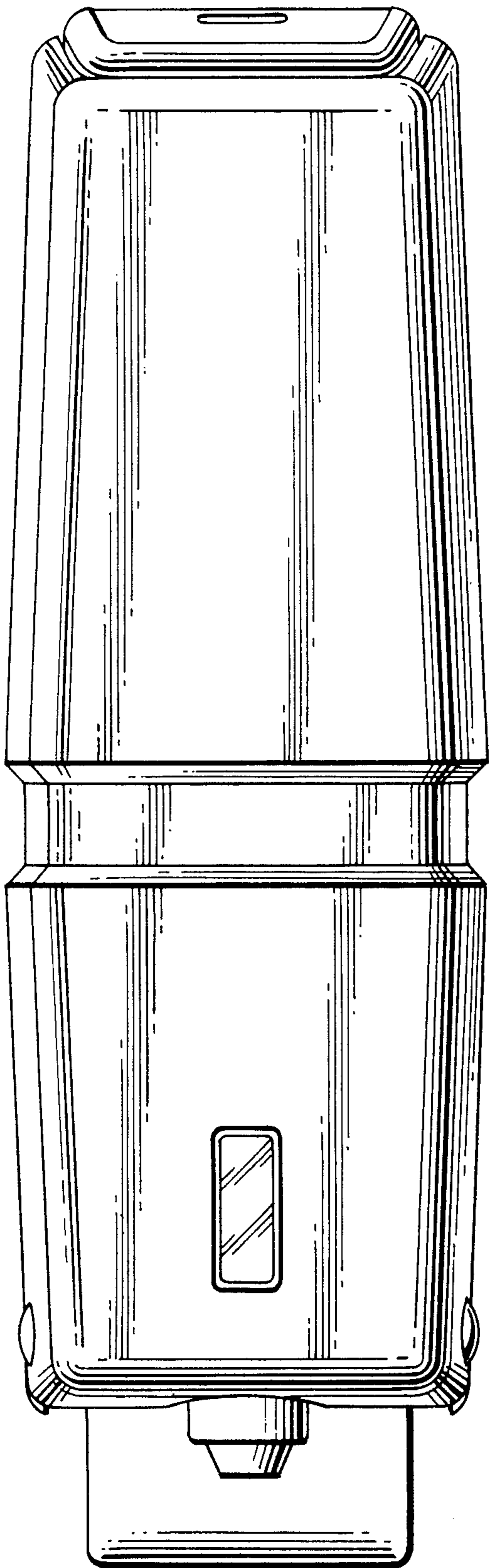


FIG. 7

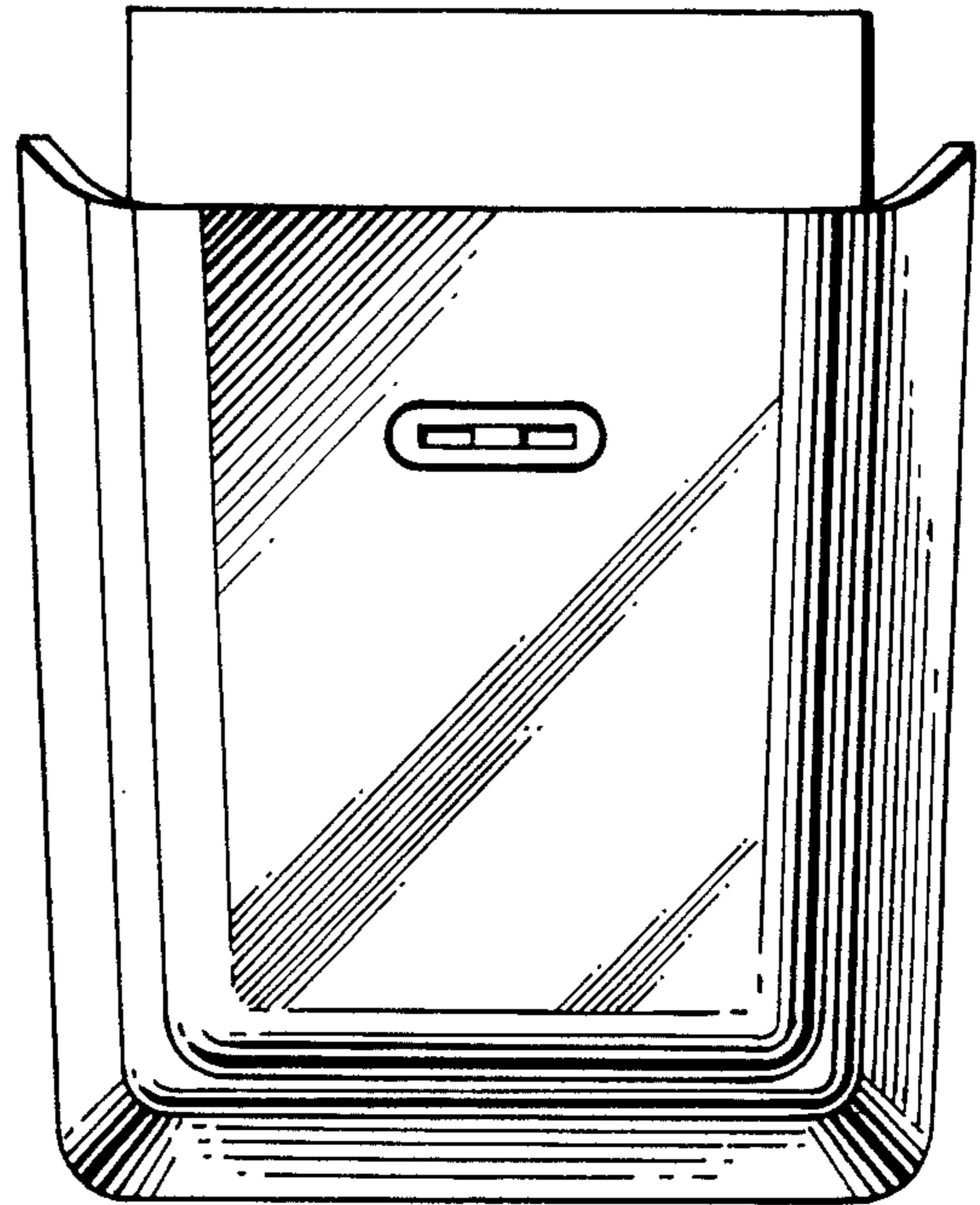
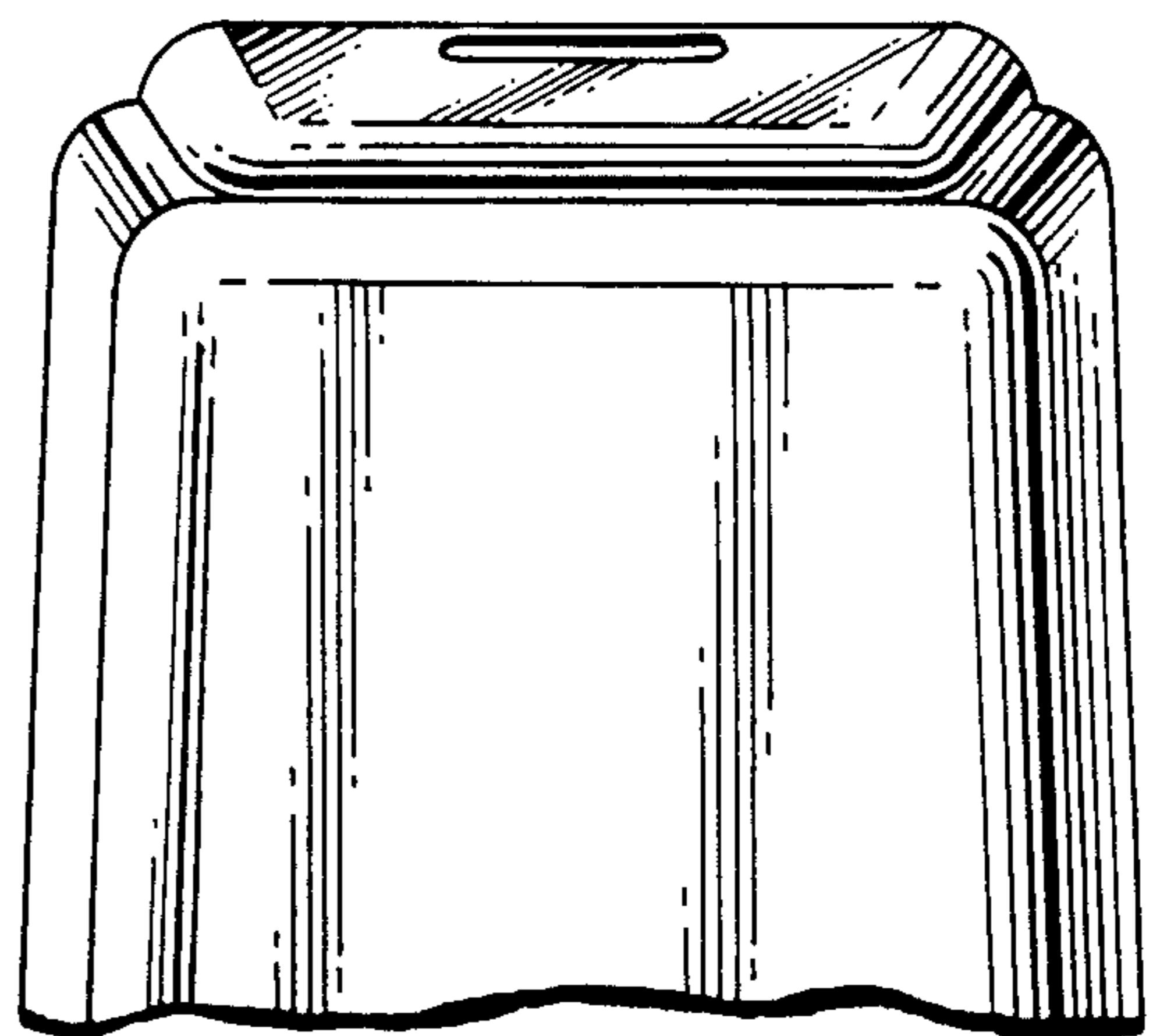


FIG. 8



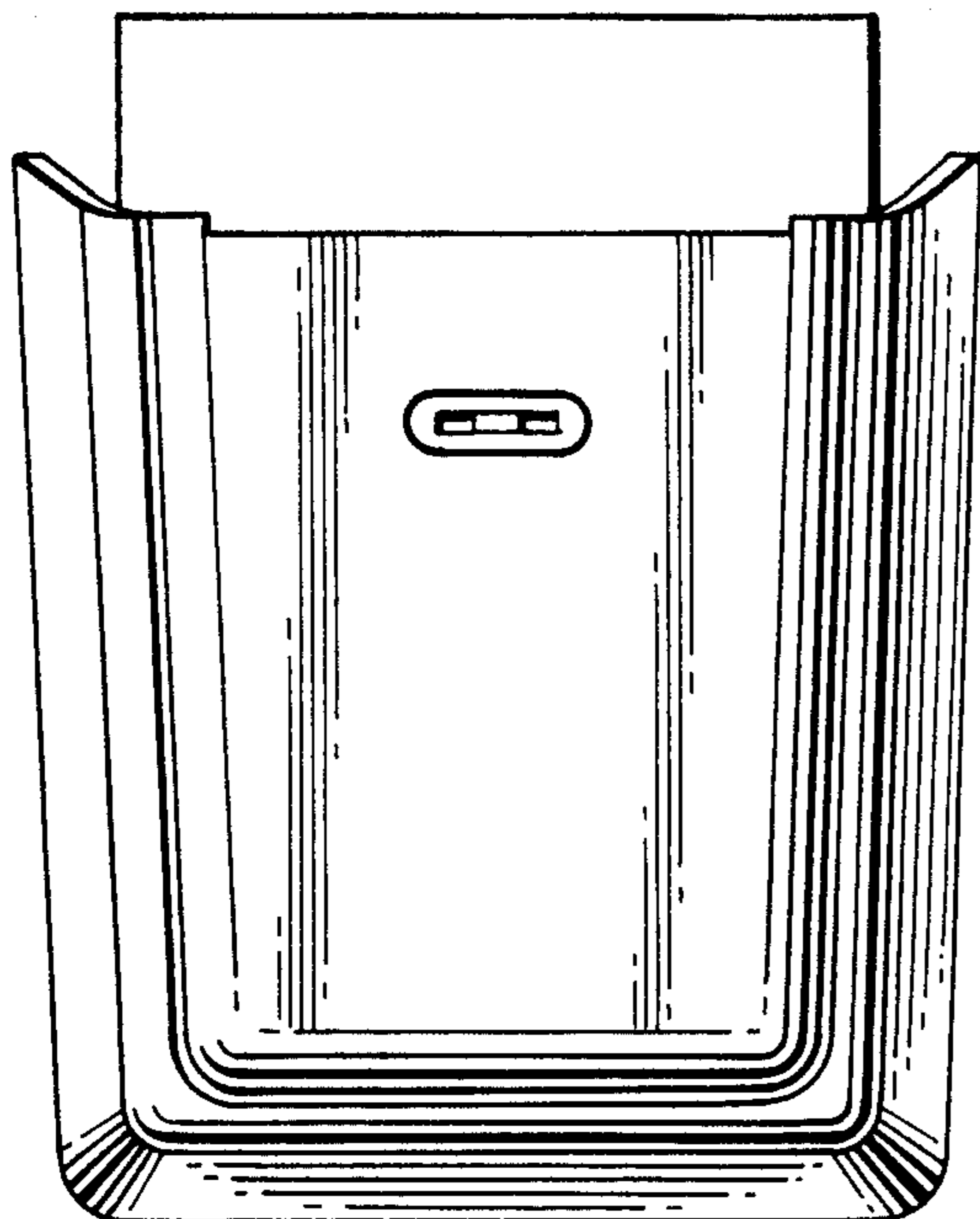


FIG. 4

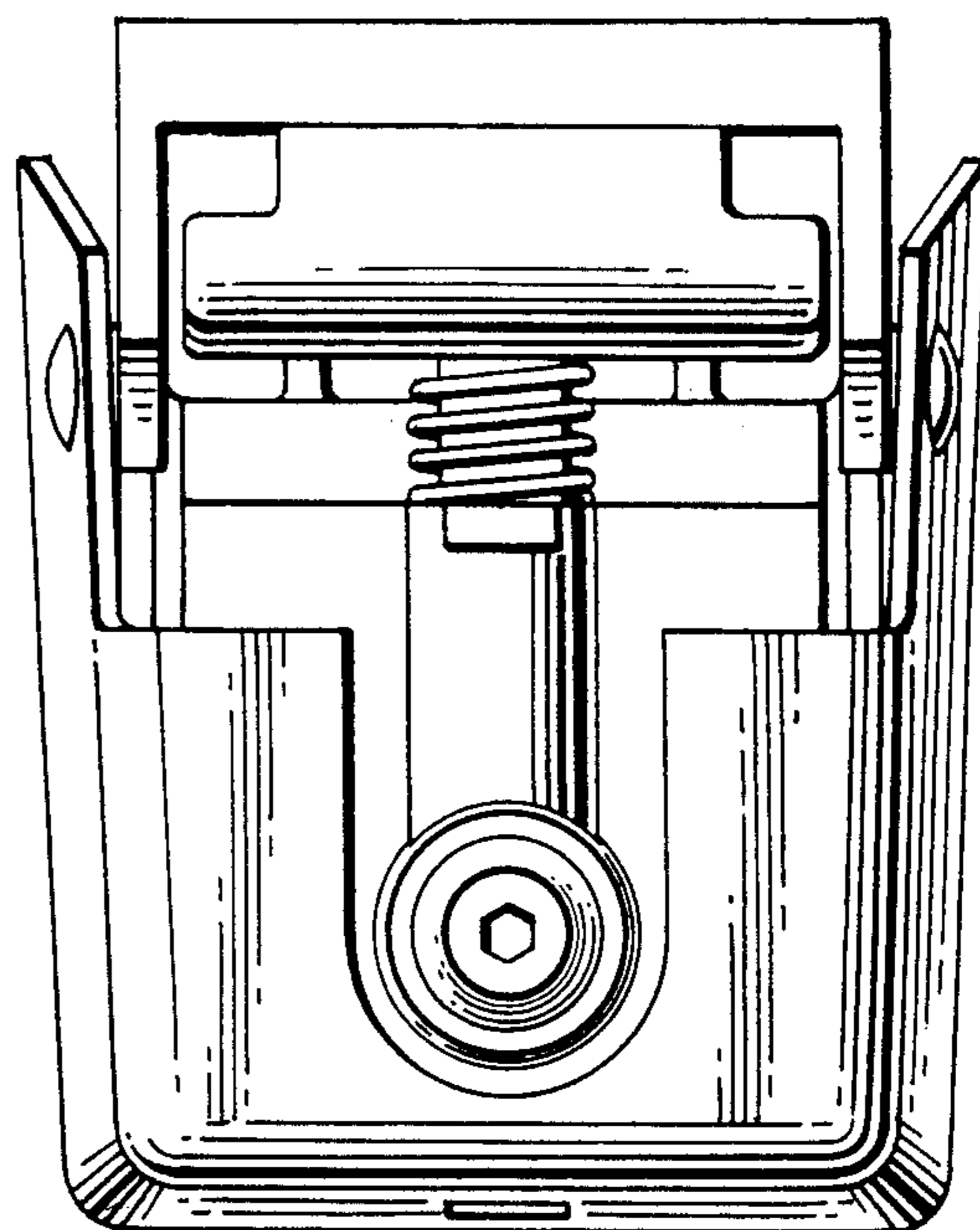


FIG. 5

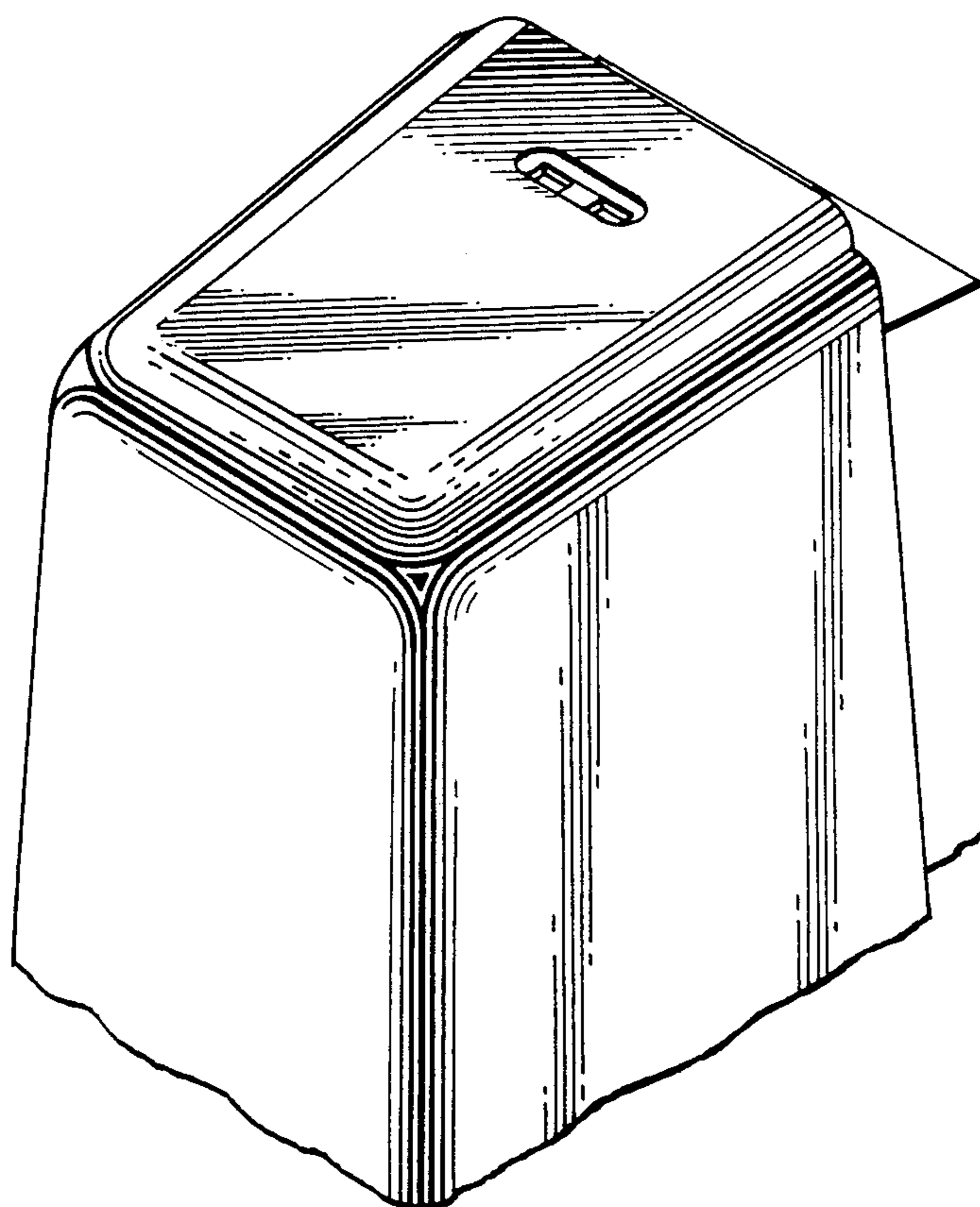


FIG. 6