

[54] GOLF PUTTER HEAD

[76] Inventor: Harry H. Little, 202 Cedar Lane, Apt. 11, Vienna, Va. 22180

[\*\*] Term: 14 Years

[21] Appl. No.: 699,574

[22] Filed: June 24, 1976

[51] Int. Cl. .... D21-02

[52] U.S. Cl. .... D34/5 GH

[58] Field of Search ..... D34/5 GH, 5 GC; 273/167-175, 164

[56] References Cited

U.S. PATENT DOCUMENTS

D. 222,280	10/1971	Cook	.....	D34/5 GH
D. 228,396	9/1973	Cruger	.....	D34/5 GH
D. 231,625	5/1974	Werner	.....	D34/5 CB

Primary Examiner—Melvin B. Feifer  
Attorney, Agent, or Firm—Ronald L. Phillips

[57] CLAIM

The ornamental design for a golf putter head, substantially as shown and described.

DESCRIPTION

FIG. 1 is a front elevation view of a golf putter head according to my design.

FIG. 2 is a top view of the golf putter head in FIG. 1.

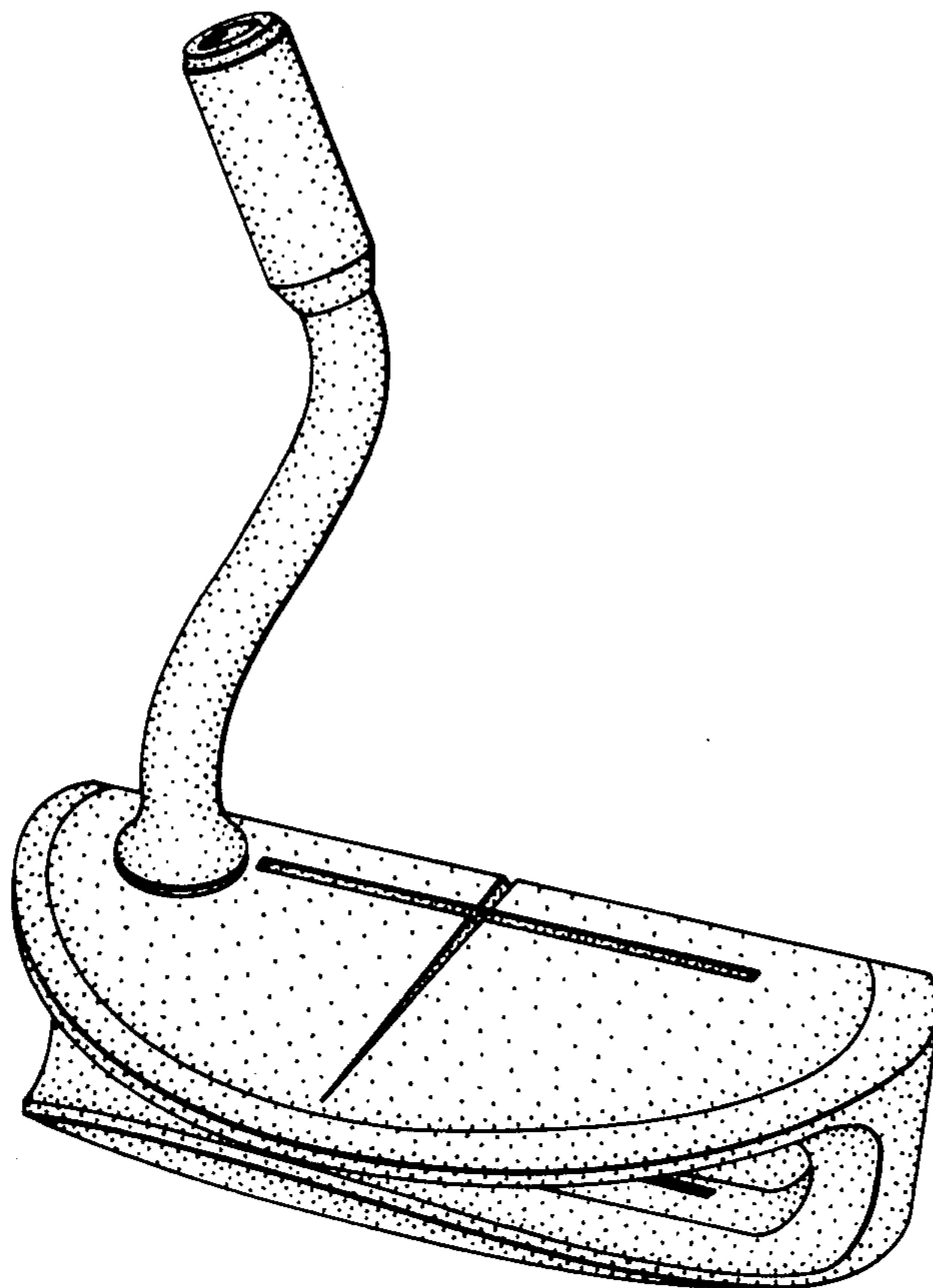
FIG. 3 is a bottom view of the golf putter head in FIG. 1.

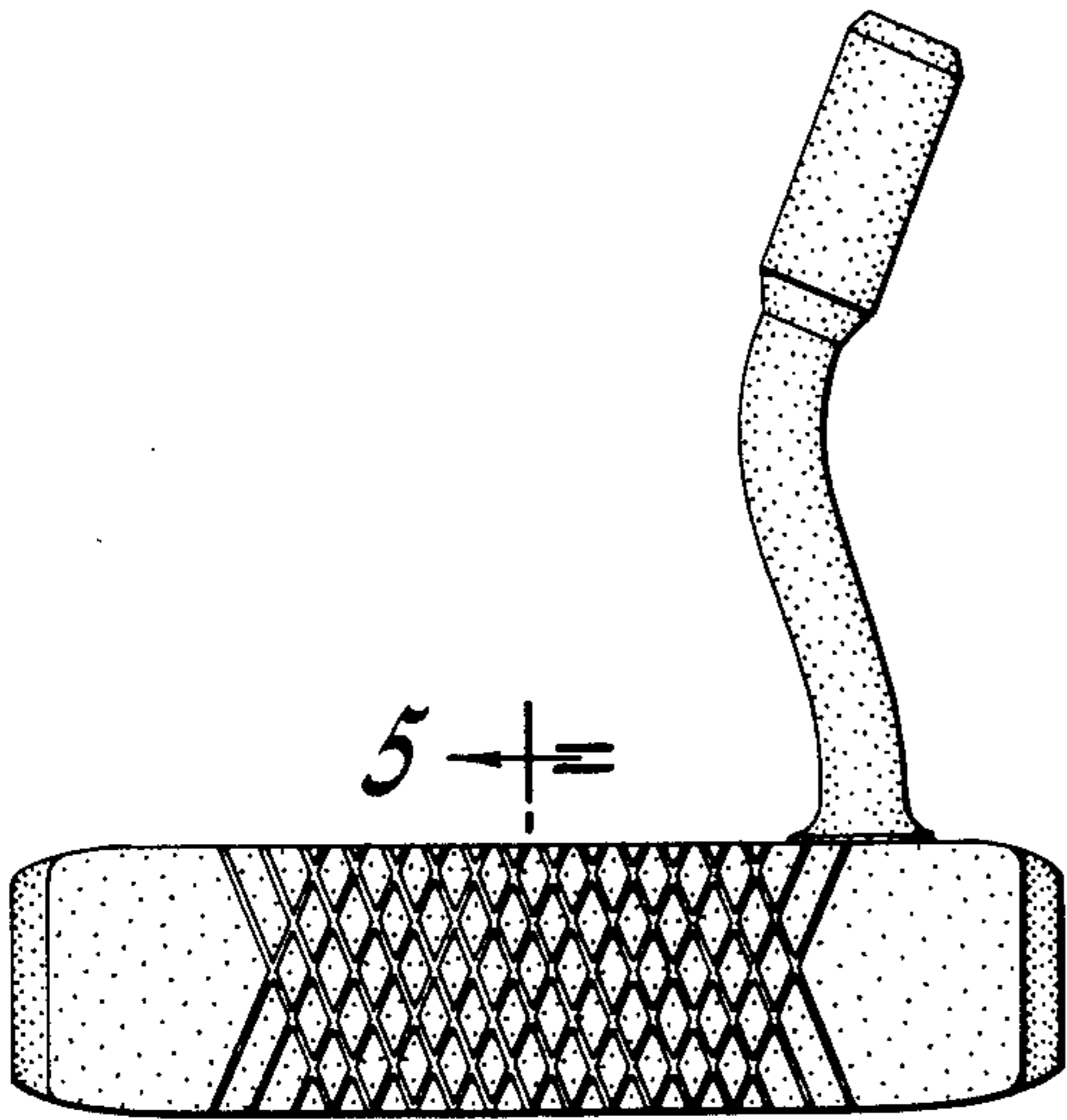
FIG. 4 is a view of one end of the golf putter head in FIG. 1 and the opposite end is a mirror image thereof.

FIG. 5 is a view taken along the line 5-5 in FIG. 1.

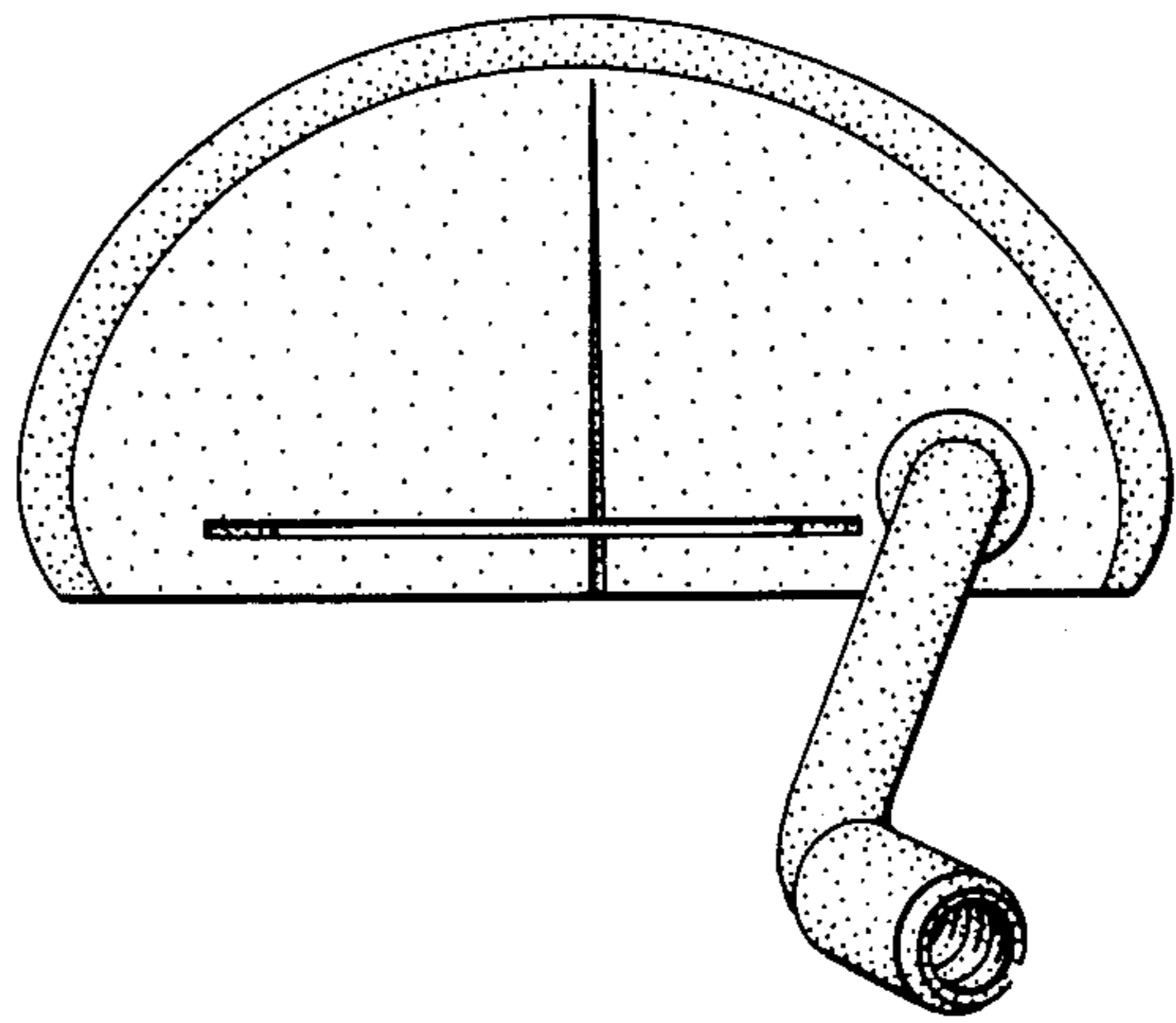
FIG. 6 is a rear view of the golf putter head in FIG. 1.

FIG. 7 is a perspective view of the golf putter head in FIG. 1.

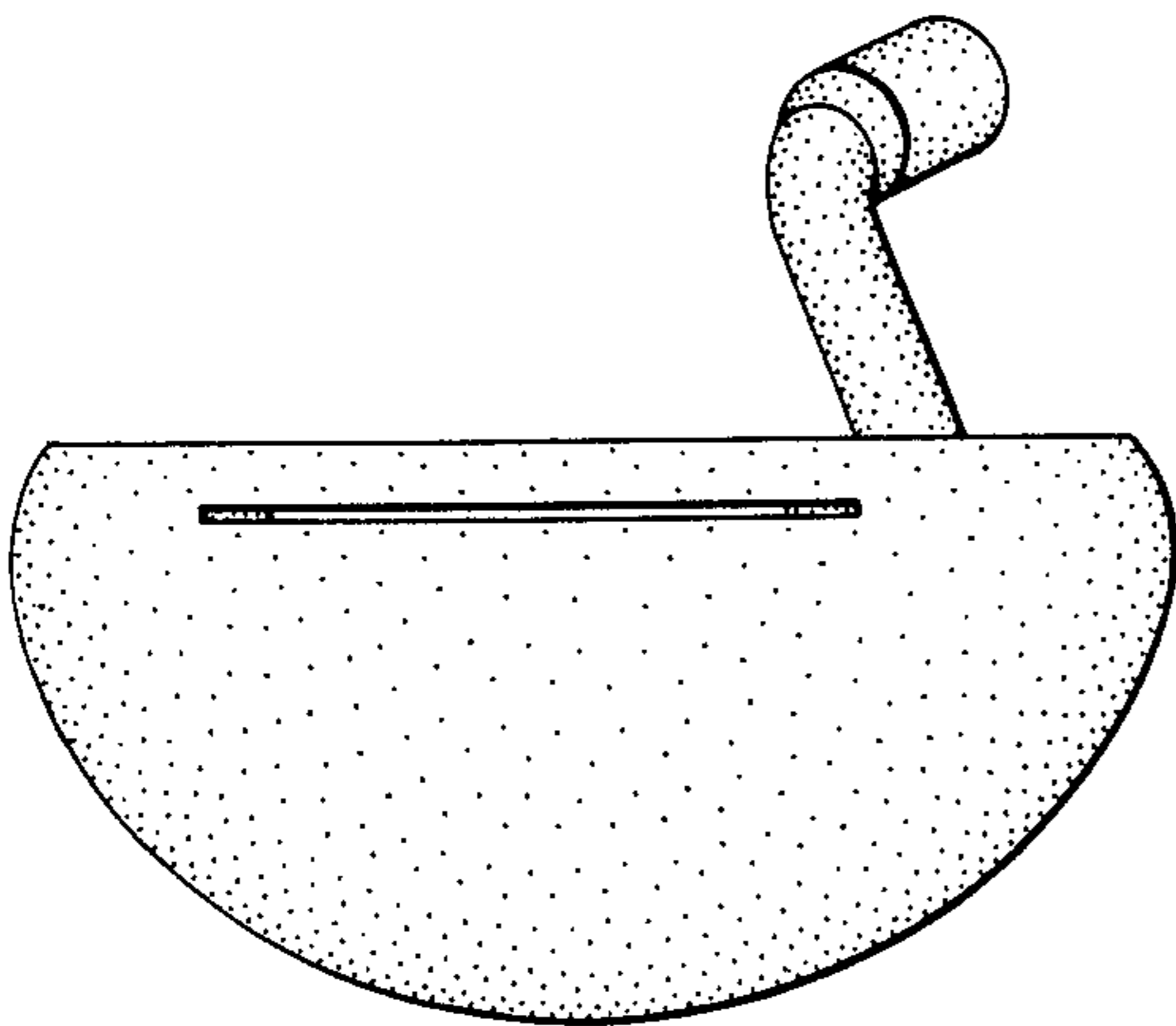




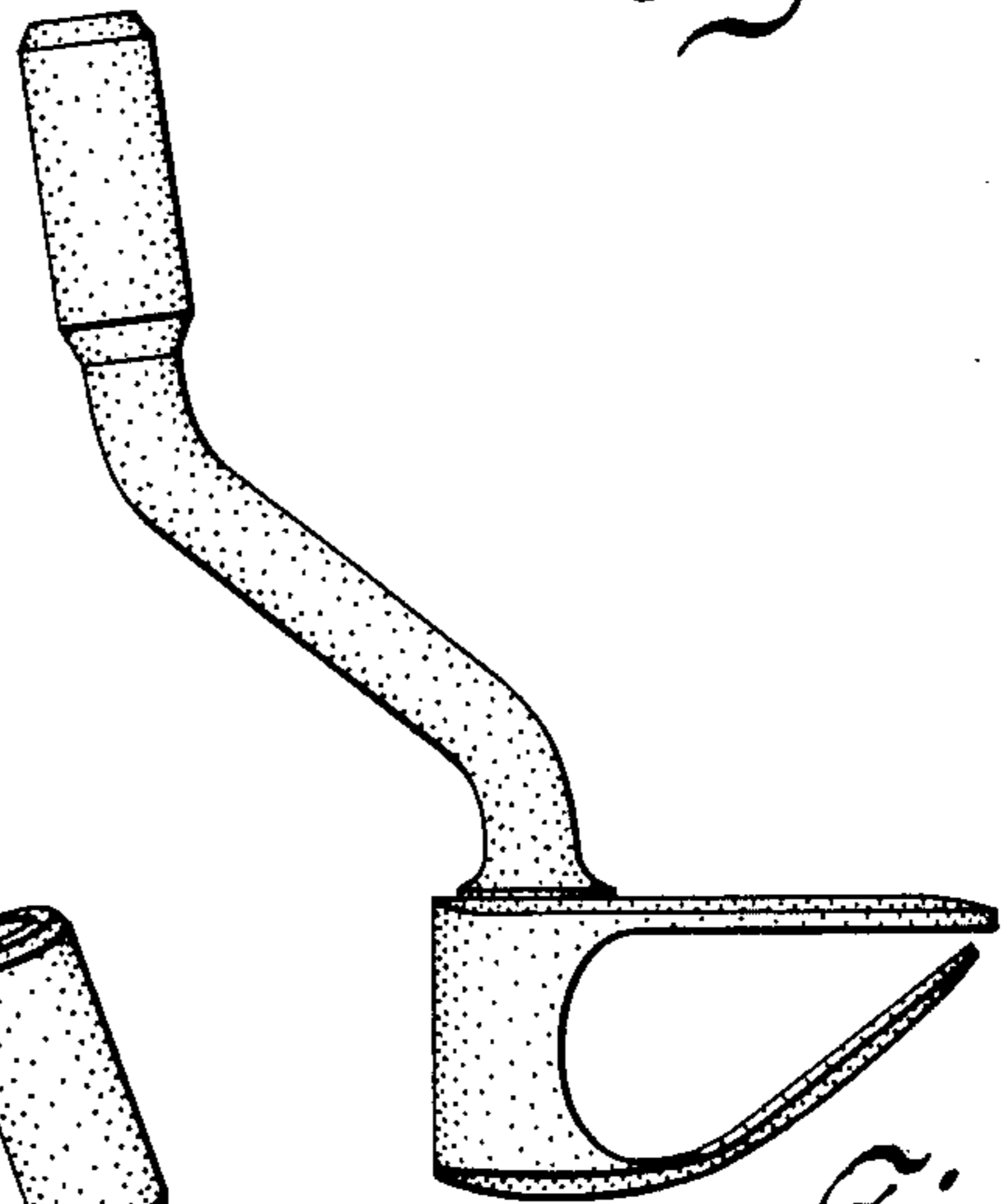
*Fig. 1* 5



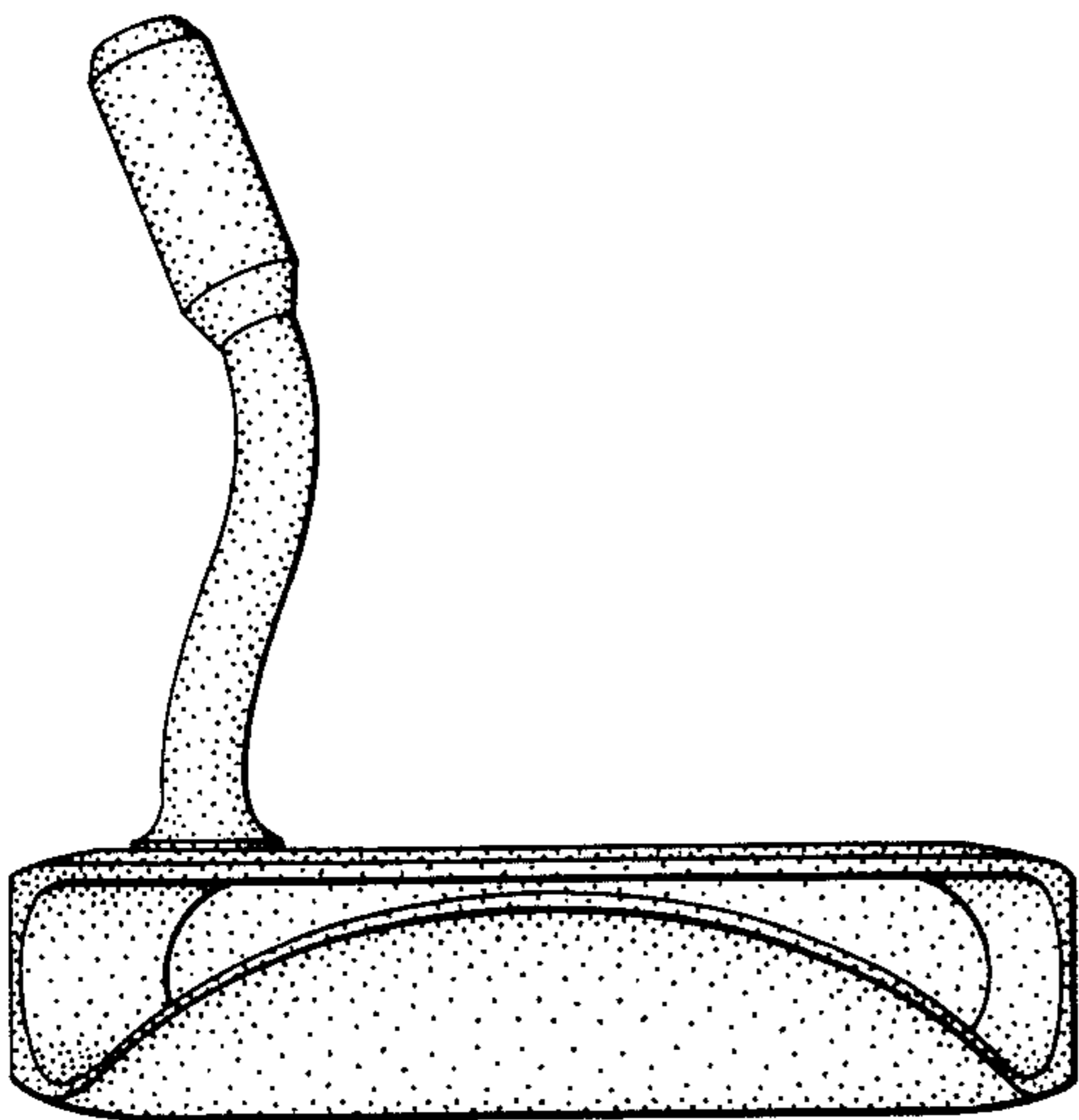
*Fig. 2*



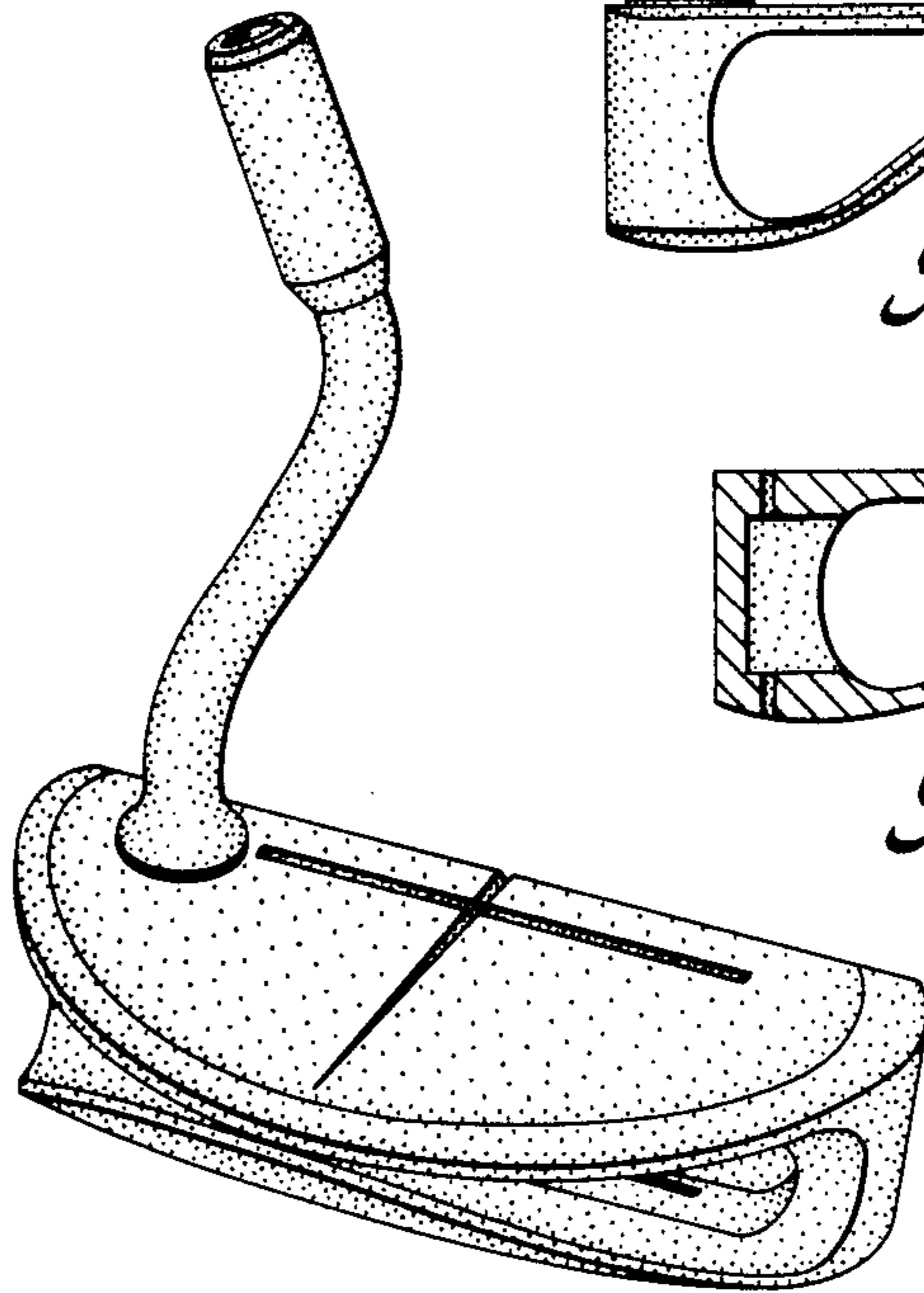
*Fig. 3*



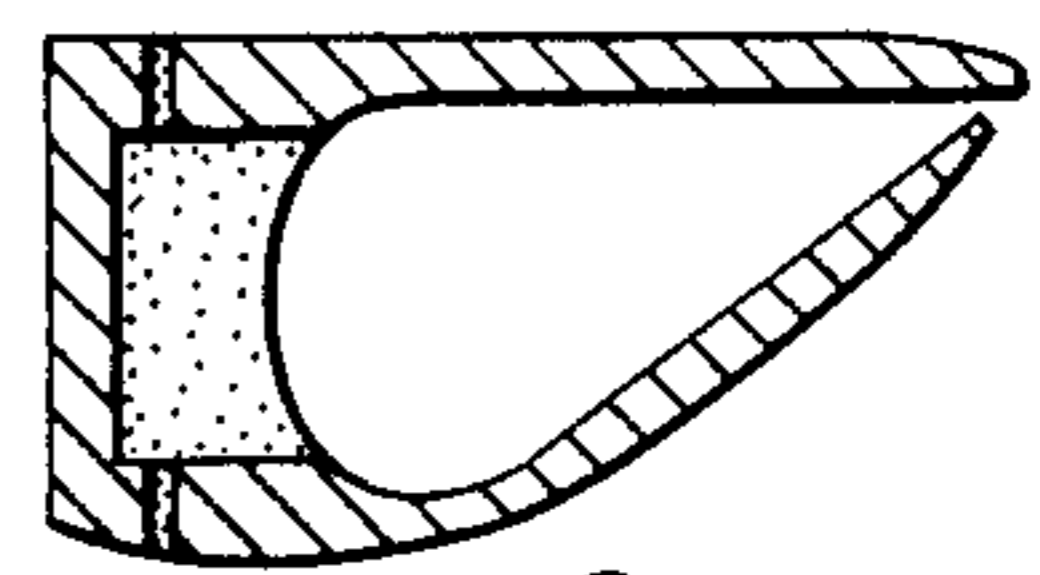
*Fig. 4*



*Fig. 6*



*Fig. 7*



*Fig. 5*