

[54] **DISPOSABLE SYRINGE FOR STORING AND ADMINISTERING PHARMACEUTICAL PREPARATIONS**

[75] Inventor: **Claes Peter Löfman**, Stockholm, Sweden

[73] Assignee: **Astra Lakemedel Aktiebolag**, Sodertalje, Sweden

[\*\*] Term: **14 Years**

[21] Appl. No.: **633,604**

[22] Filed: **Nov. 20, 1975**

[30] **Foreign Application Priority Data**  
June 5, 1975 Sweden ..... 751159  
June 5, 1975 Sweden ..... 751160

[51] Int. Cl. .... **D24—04**

[52] U.S. Cl. .... **D24/24**

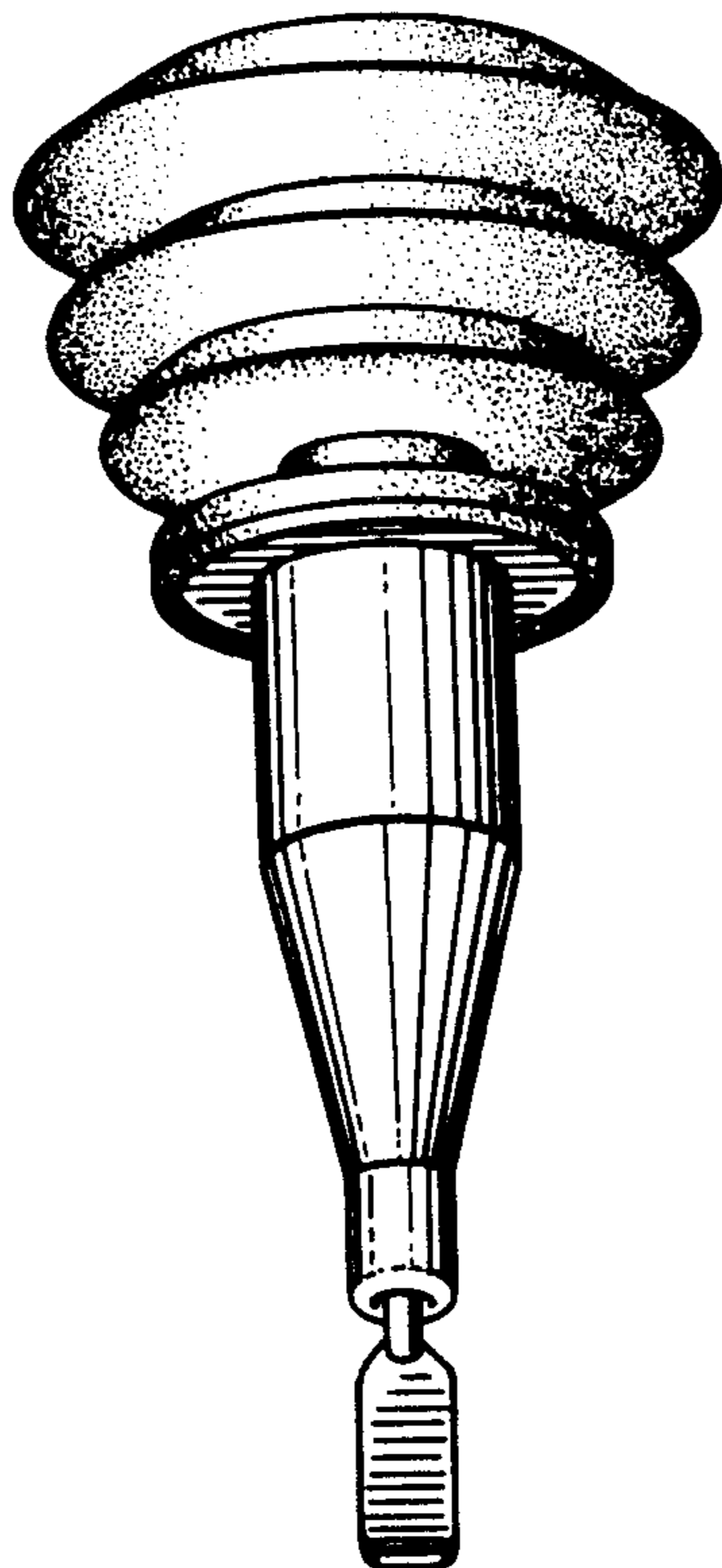
[58] Field of Search ..... 128/218 M, 218 D, DIG. 28, 128/231; D83/12 A; 206/222; D24/63, 24, 52

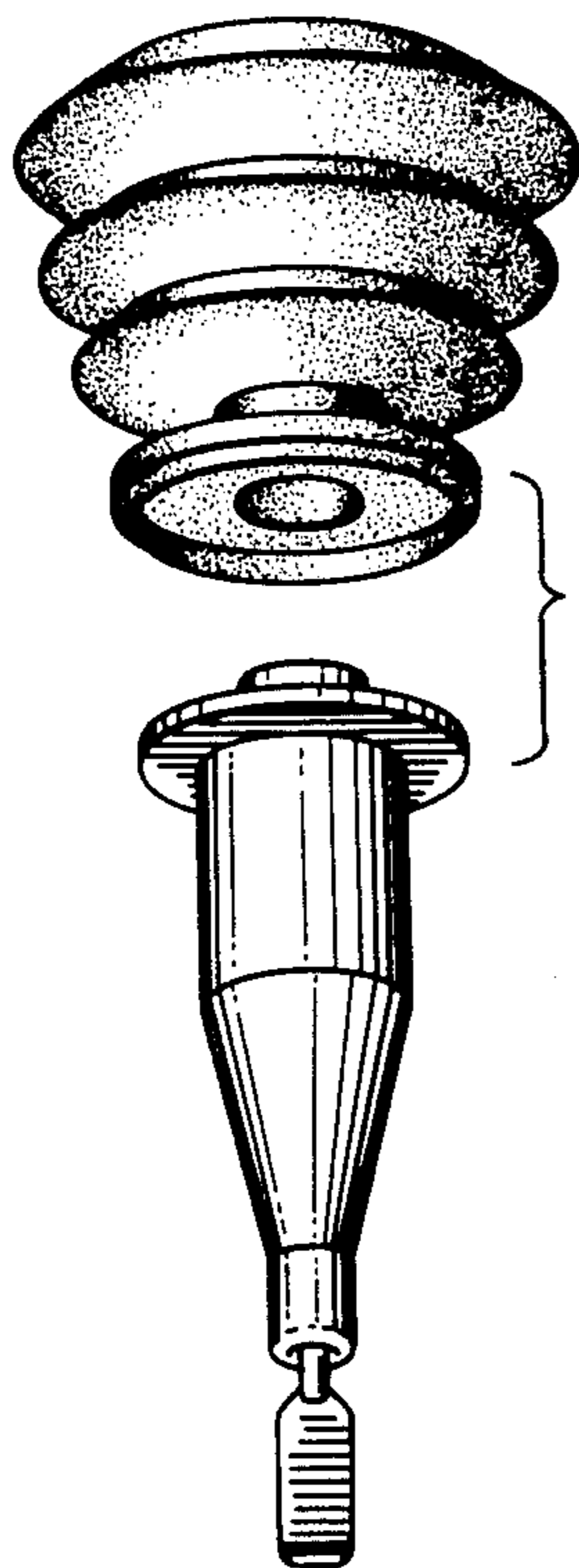
[56] **References Cited**  
**U.S. PATENT DOCUMENTS**  
D. 239,332 3/1976 Lhoest et al. .... D83/12 A  
D. 241,884 10/1976 Gross ..... D83/12 A  
3,802,435 4/1974 Claasen ..... 128/335  
3,908,654 9/1975 Lhoest et al. .... 128/218 M

*Primary Examiner*—Bernard Ansher  
*Attorney, Agent, or Firm*—Granville M. Brumbaugh

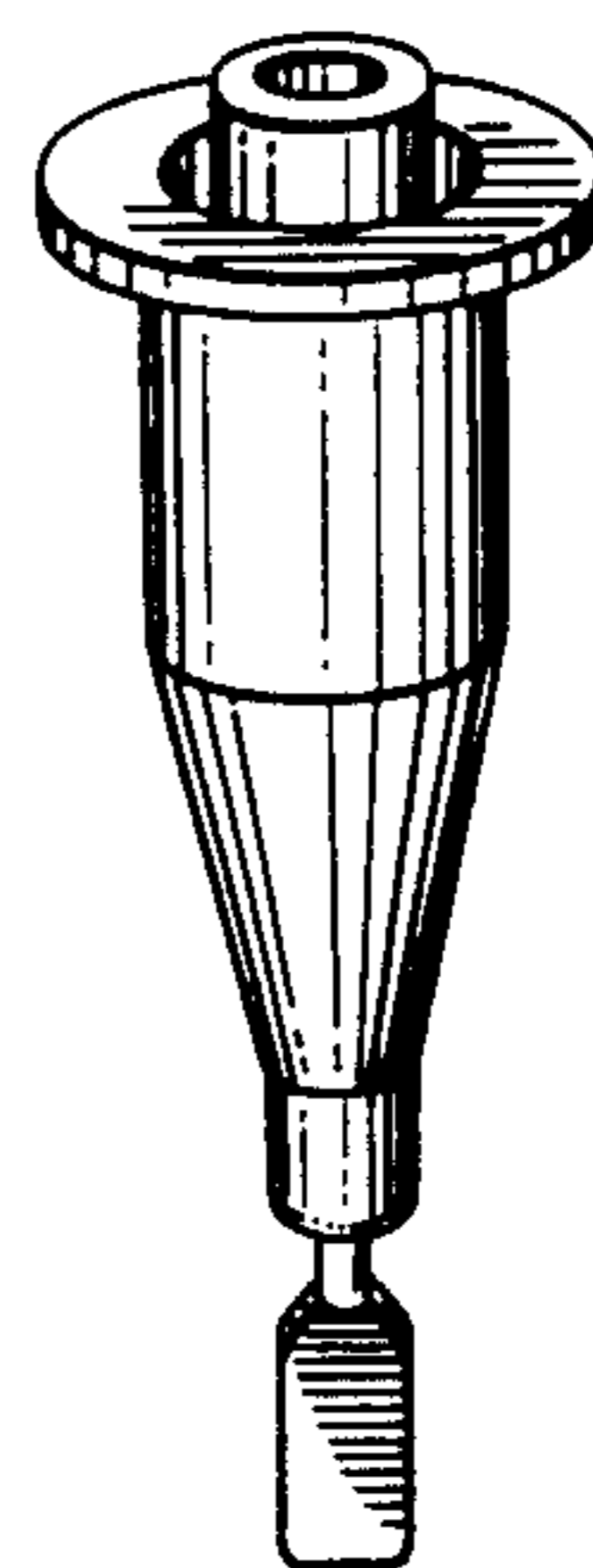
[57] **CLAIM**  
The ornamental design for a disposable syringe for storing and administering pharmaceutical preparations, as shown and described.

**DESCRIPTION**  
FIG. 1 is a perspective view of a disposable syringe for storing and administering pharmaceutical preparations showing my new design;  
FIG. 2 is a perspective view of the injection nozzle shown separately for clarity of illustration;  
FIG. 3 is an exploded perspective view of the syringe illustrated in FIG. 1;  
FIG. 4 is a perspective view of a modified embodiment of the disposable syringe shown in FIG. 1;  
FIG. 5 is a perspective view of the injection nozzle; and  
FIG. 6 is an exploded perspective view of the syringe illustrated in FIG. 4.

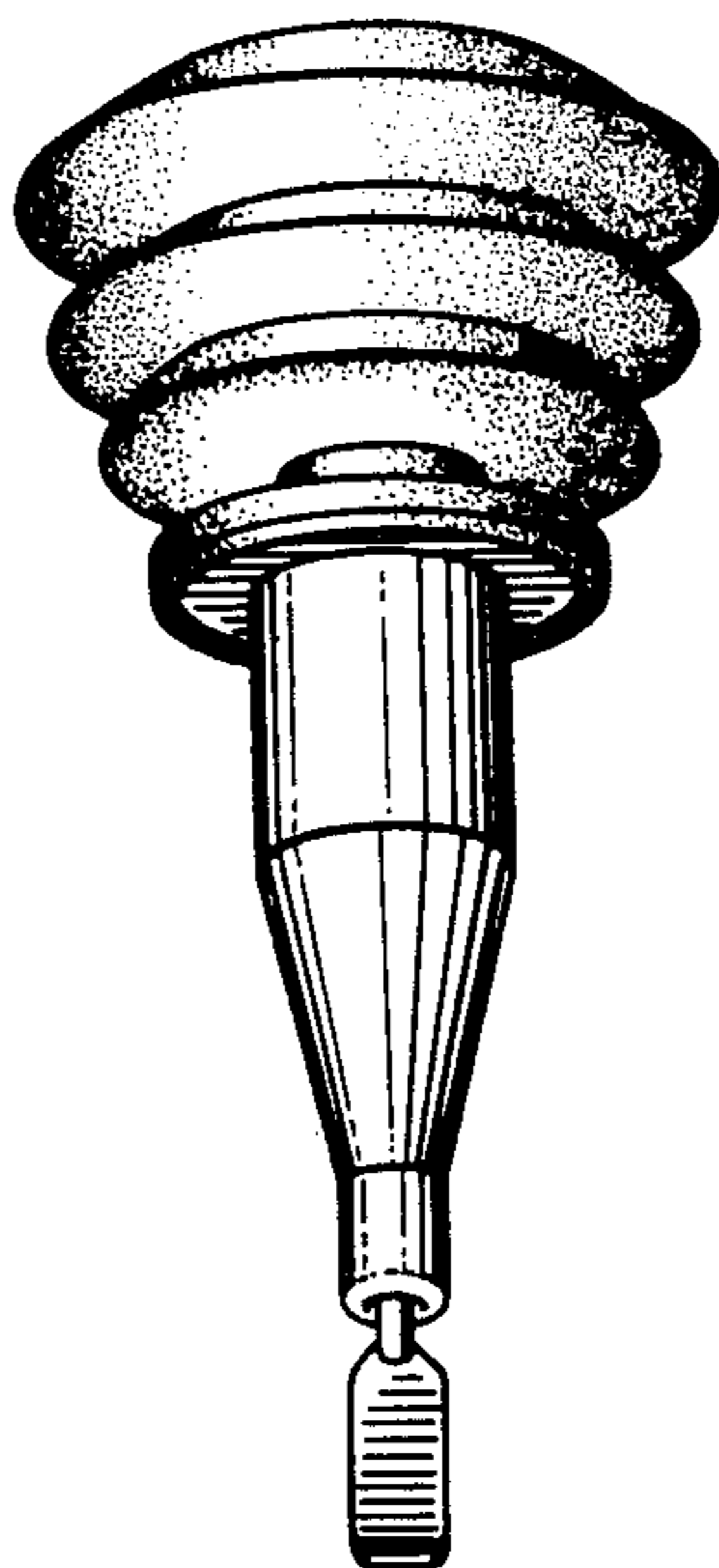




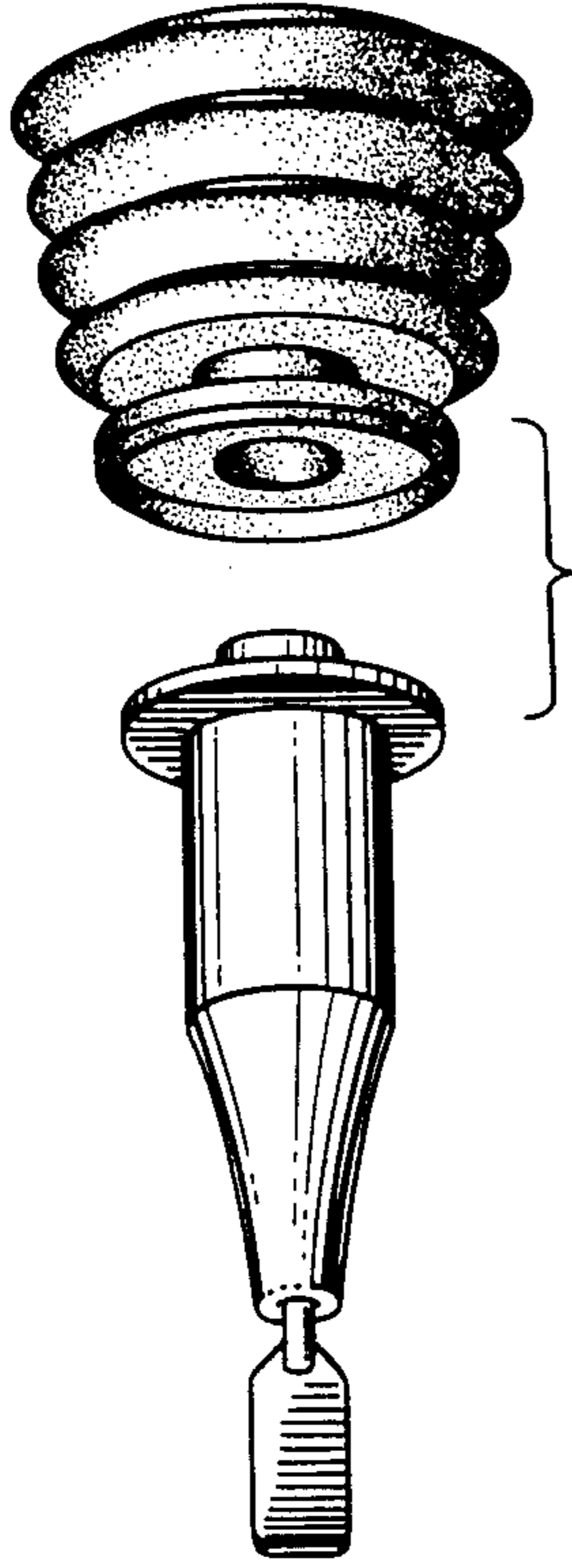
*FIG. 3*



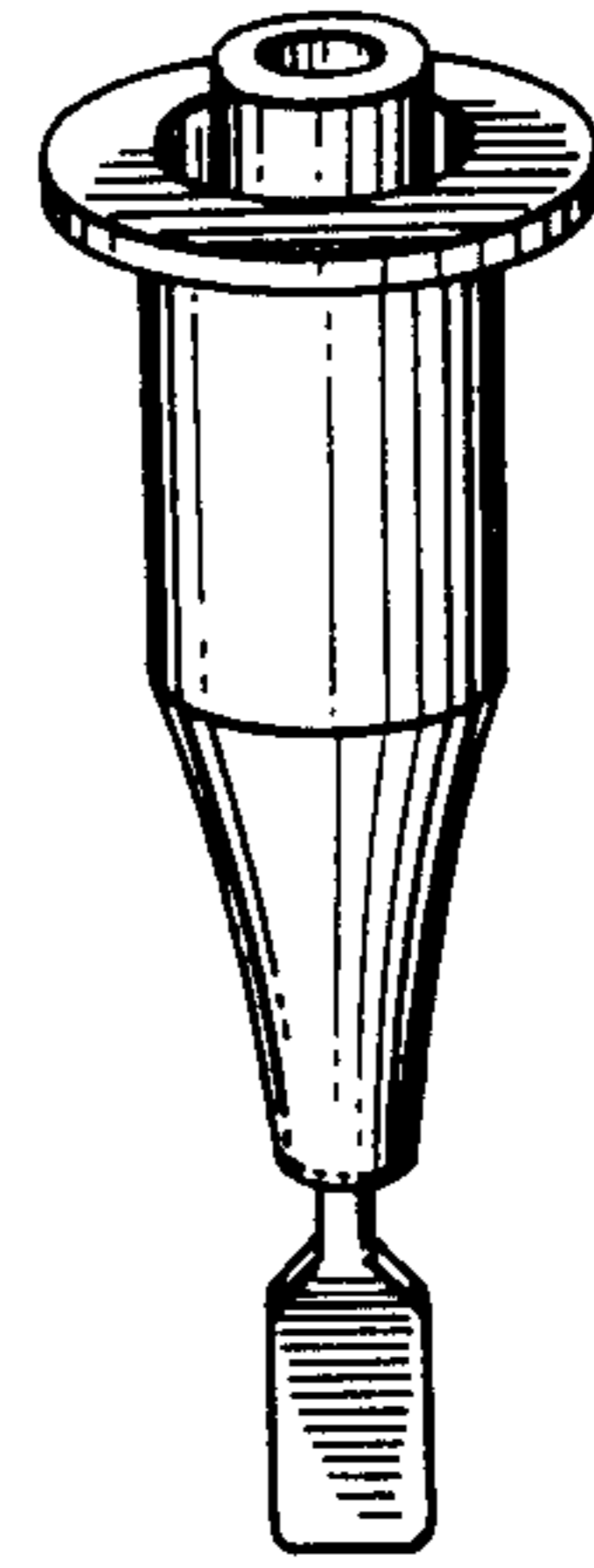
*FIG. 2*



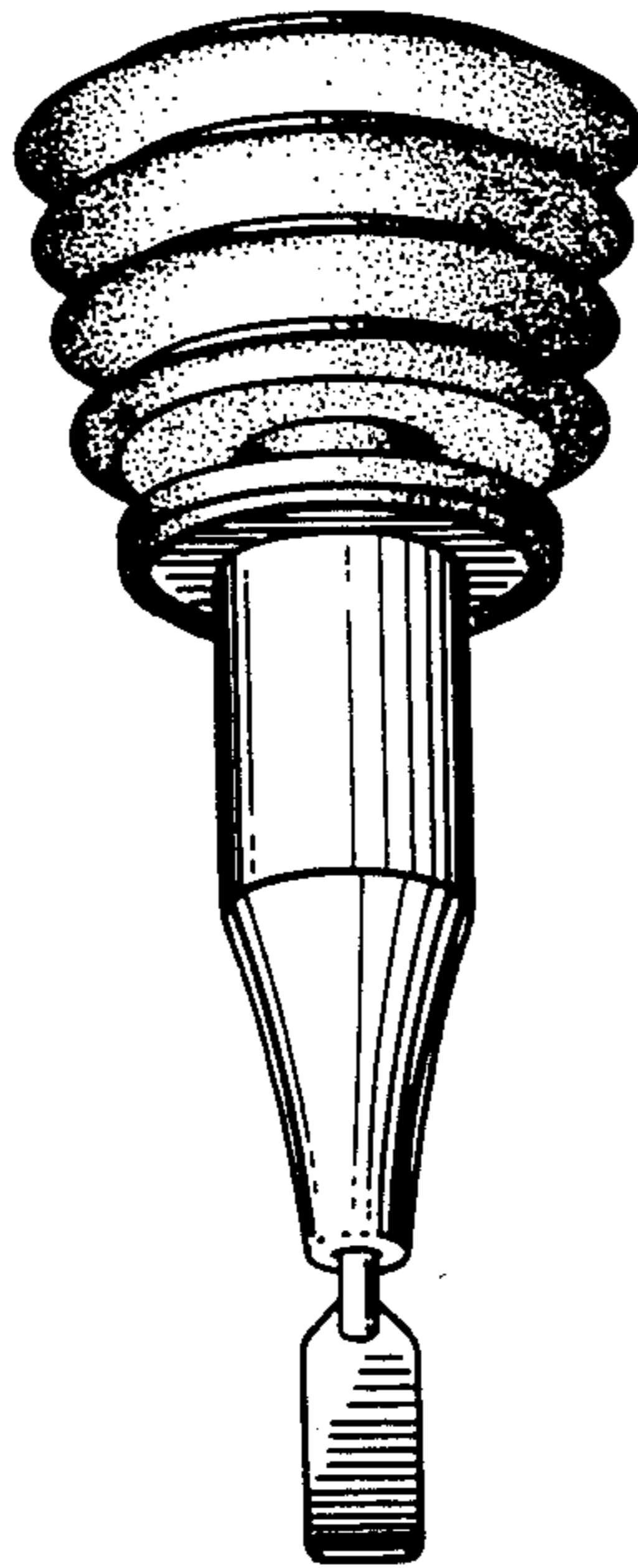
*FIG. 1*



**FIG. 6**



**FIG. 5**



**FIG. 4**