

[54] DENTAL CONSOLE

[75] Inventor: Danny Michael Truette, Pineville, N.C.

[73] Assignee: Pelton & Crane Company, Charlotte, N.C.

[\*\*] Term: 14 Years

[21] Appl. No.: 741,517

[22] Filed: Nov. 12, 1976

[51] Int. Cl. .... D24-01

[52] U.S. Cl. .... D24/5

[58] Field of Search ..... D24/1 B, 4, 5; 32/22; 312/209

[56] References Cited

U.S. PATENT DOCUMENTS

D. 211,689 7/1968 Olsen ..... D24/1 B

D. 218,165 7/1970 Schleicher et al. .... D24/1 B  
D. 224,617 8/1972 Gardella et al. .... D24/1 B  
2,876,542 3/1959 Breus ..... 32/22  
3,530,513 9/1970 Maurer et al. .... 32/22 X

Primary Examiner—Bernard Ansher  
Attorney, Agent, or Firm—Samuel G. Layton, Jr.

[57] CLAIM

The ornamental design for a dental console, substantially as shown and described.

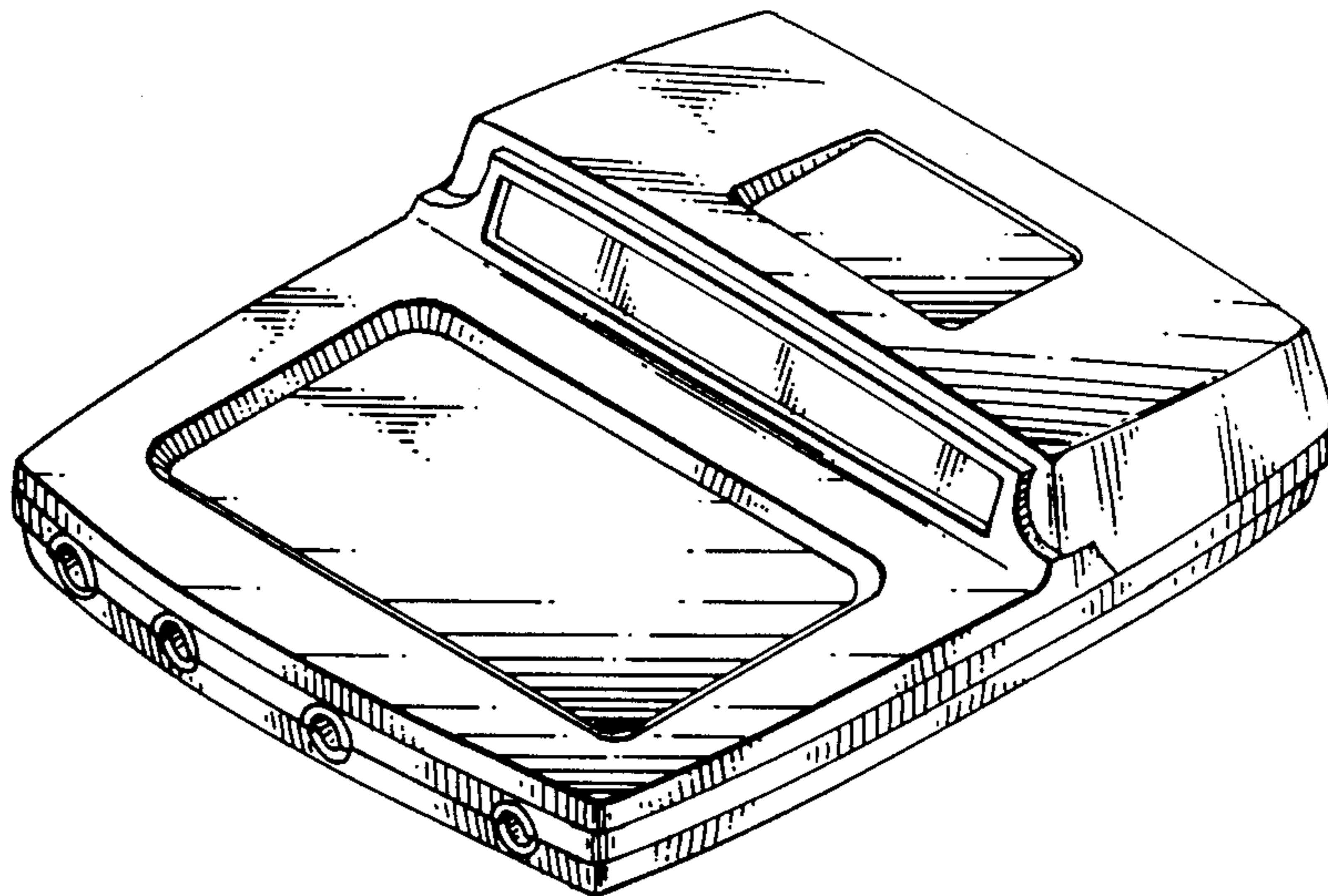
DESCRIPTION

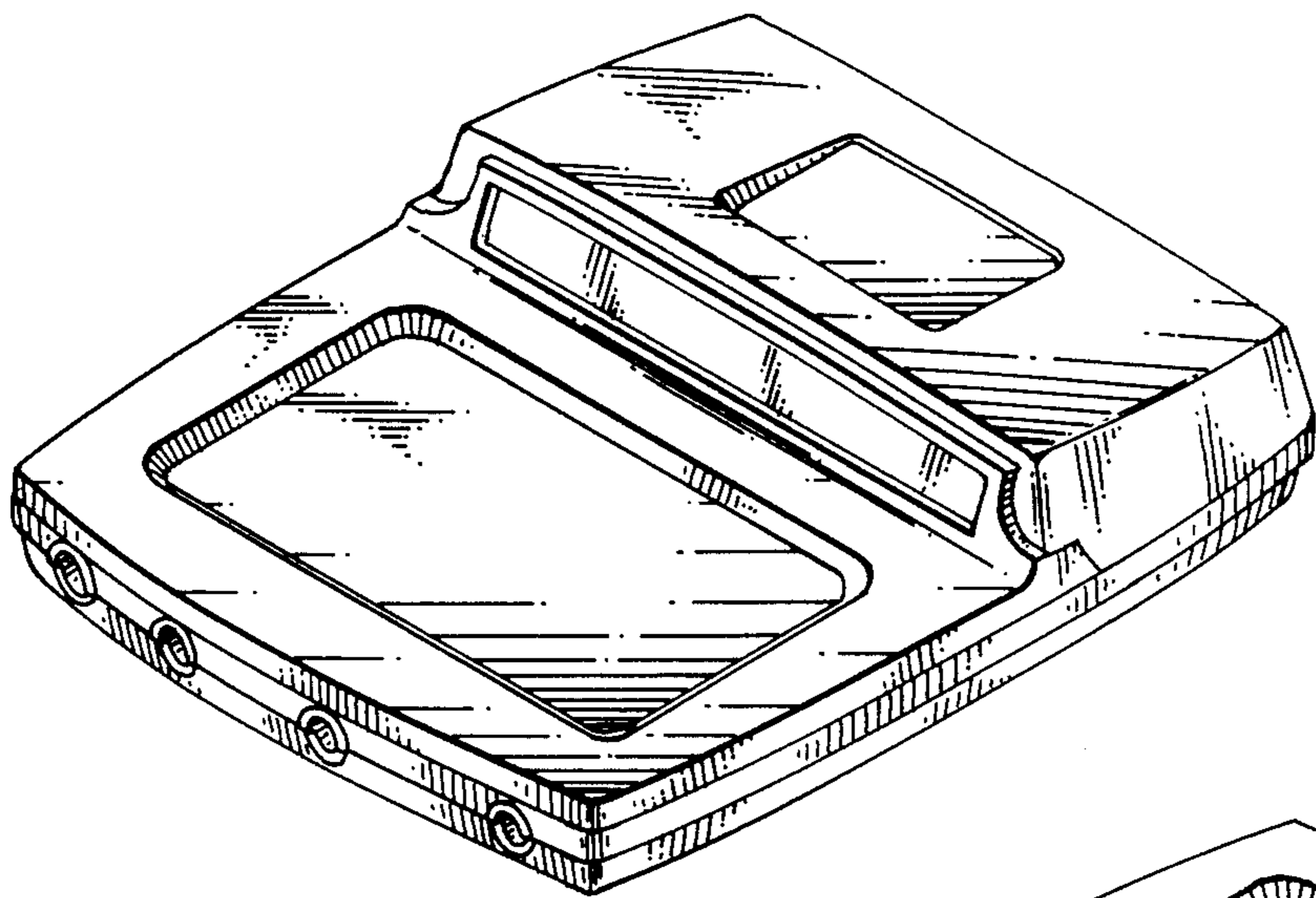
FIG. 1 is a front perspective view of the dental console showing my new design;

FIG. 2 is a back perspective view of the dental console of FIG. 1;

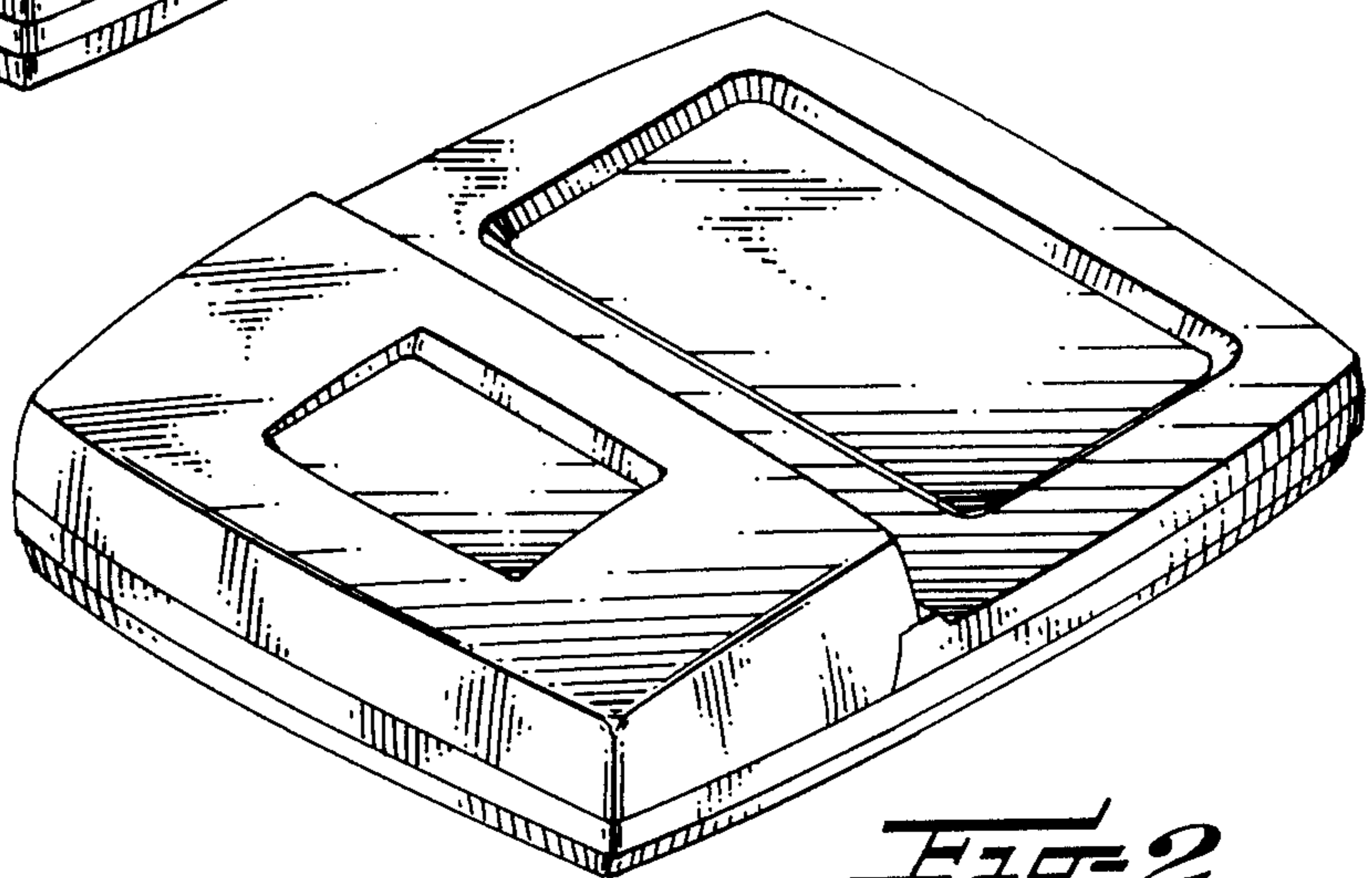
FIG. 3 is a side elevational view of the dental console of FIG. 1; and

FIG. 4 is a top plan view of the dental console of FIG. 1.

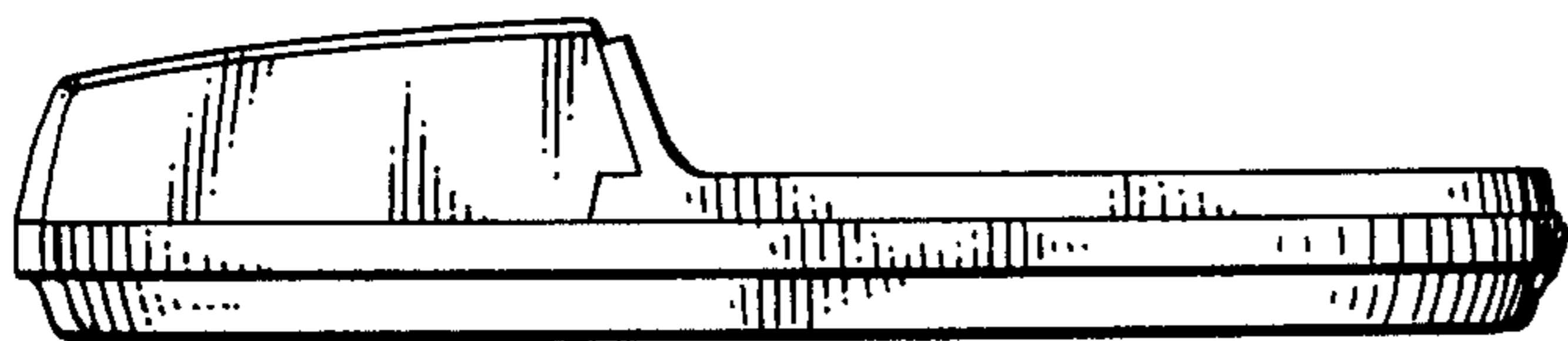




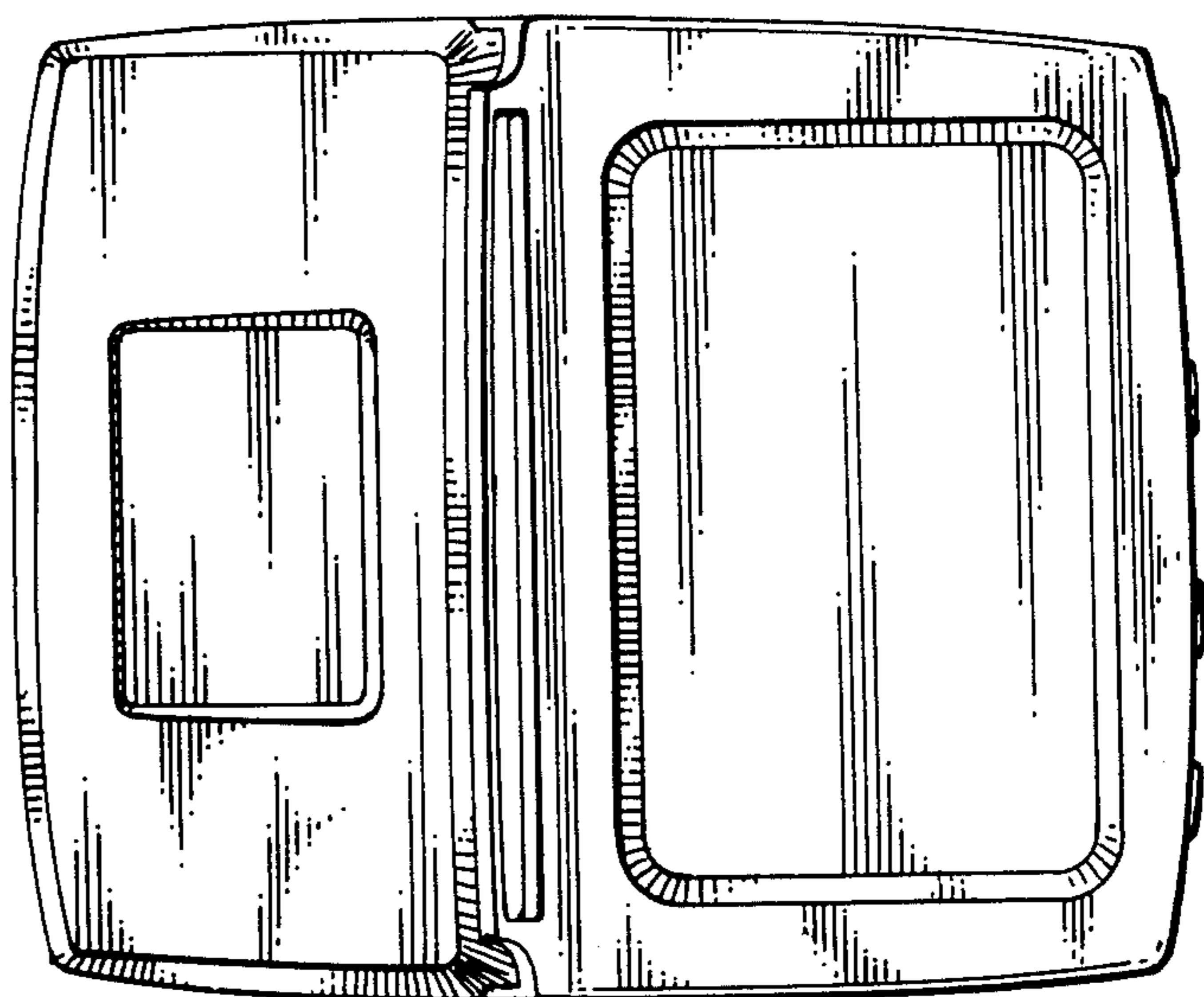
*FIG-1*



*FIG-2*



*FIG-3*



*FIG-4*