

[54] **DISPENSER FOR AIR TREATING MATERIAL**

[75] Inventor: **Frederick B. Hadtke**, New Providence, N.J.

[73] Assignee: **Airwick Industries, Inc.**, Carlstadt, N.J.

[\*\*] Term: **14 Years**

[21] Appl. No.: **660,941**

[22] Filed: **Feb. 24, 1976**

[51] Int. Cl. .... **D23-04**

[52] U.S. Cl. .... **D23/150**

[58] Field of Search ..... **D23/78, 150; 239/53-60; 21/123-127, 74 R**

2,603,532 7/1952 Wheeler et al. .... 239/59

2,657,090 10/1953 Meek ..... 239/55

2,765,951 10/1956 Wheeler ..... 239/58 X

2,836,462 5/1958 Wenner ..... 239/58 X

3,134,544 5/1964 Copley ..... 239/55

3,286,872 11/1966 Burdick, Jr. .... 239/58 X

4,014,501 3/1977 Buekenmayer ..... 239/58

*Primary Examiner*—James R. Largen  
*Attorney, Agent, or Firm*—Karl F. Jorda

[57] **CLAIM**

The ornamental design for a dispenser for air treating material, as shown.

**DESCRIPTION**

FIG. 1 is a top perspective view of a dispenser for air treating material showing my new design;

FIG. 2 is a cross sectional view taken on line 2-2 of FIG. 1;

FIG. 3 is a side elevational view showing the dispenser in an open position; and

FIG. 4 is a side elevational view showing the dispenser in a second open position.

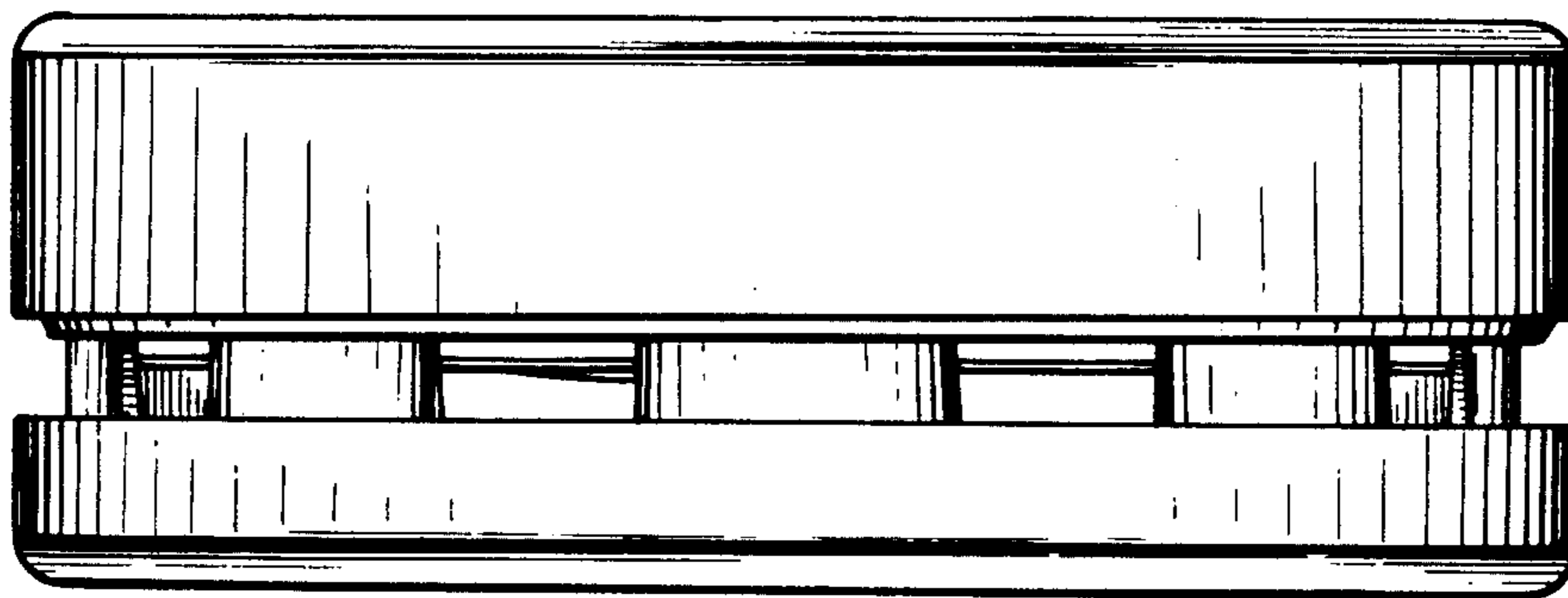
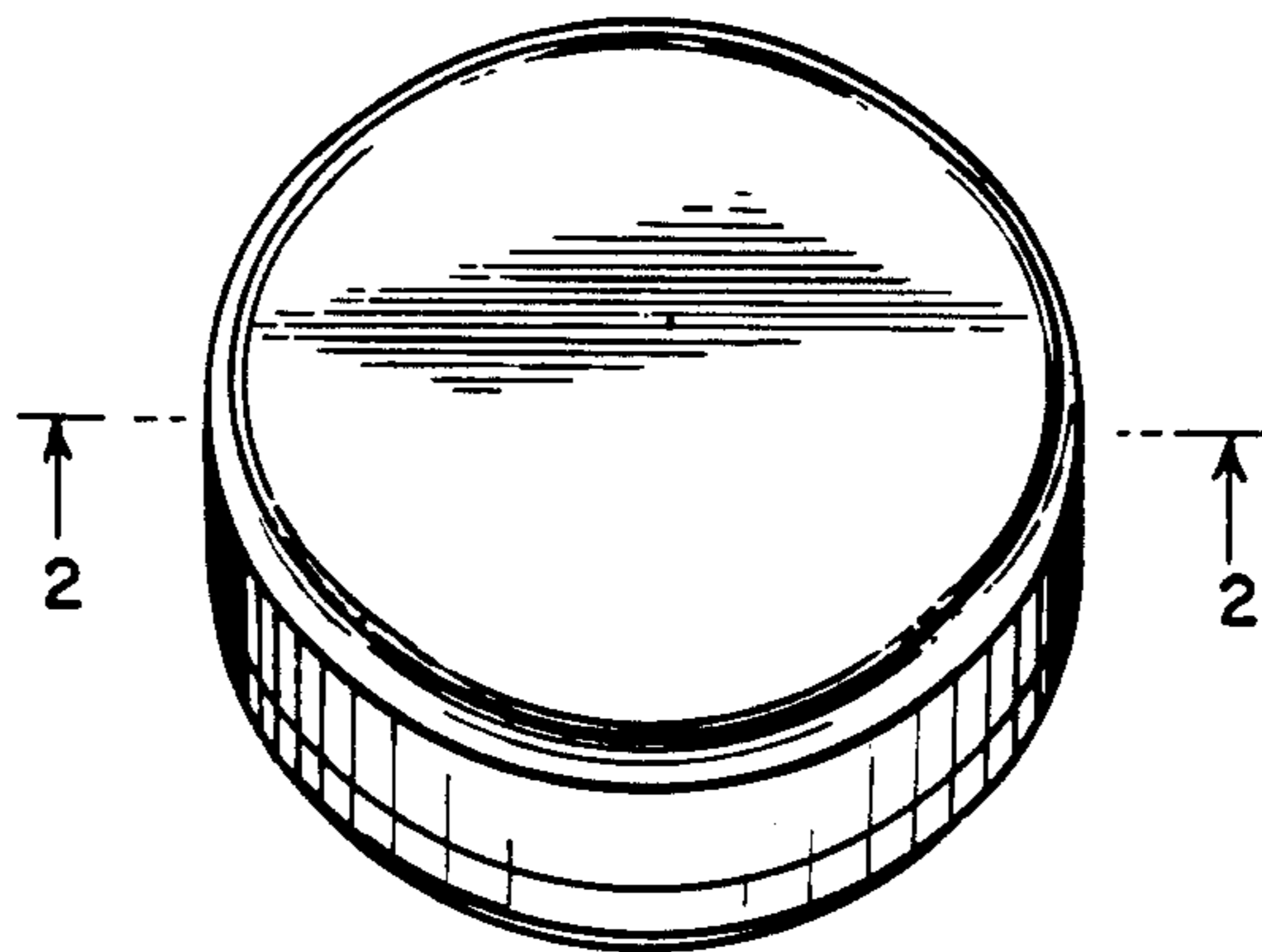
[56] **References Cited**

**U.S. PATENT DOCUMENTS**

2,383,960 9/1945 Dupuy ..... 239/59 X

2,412,326 12/1946 Dupuy ..... 239/59 X

2,555,047 5/1951 Logue ..... 239/58



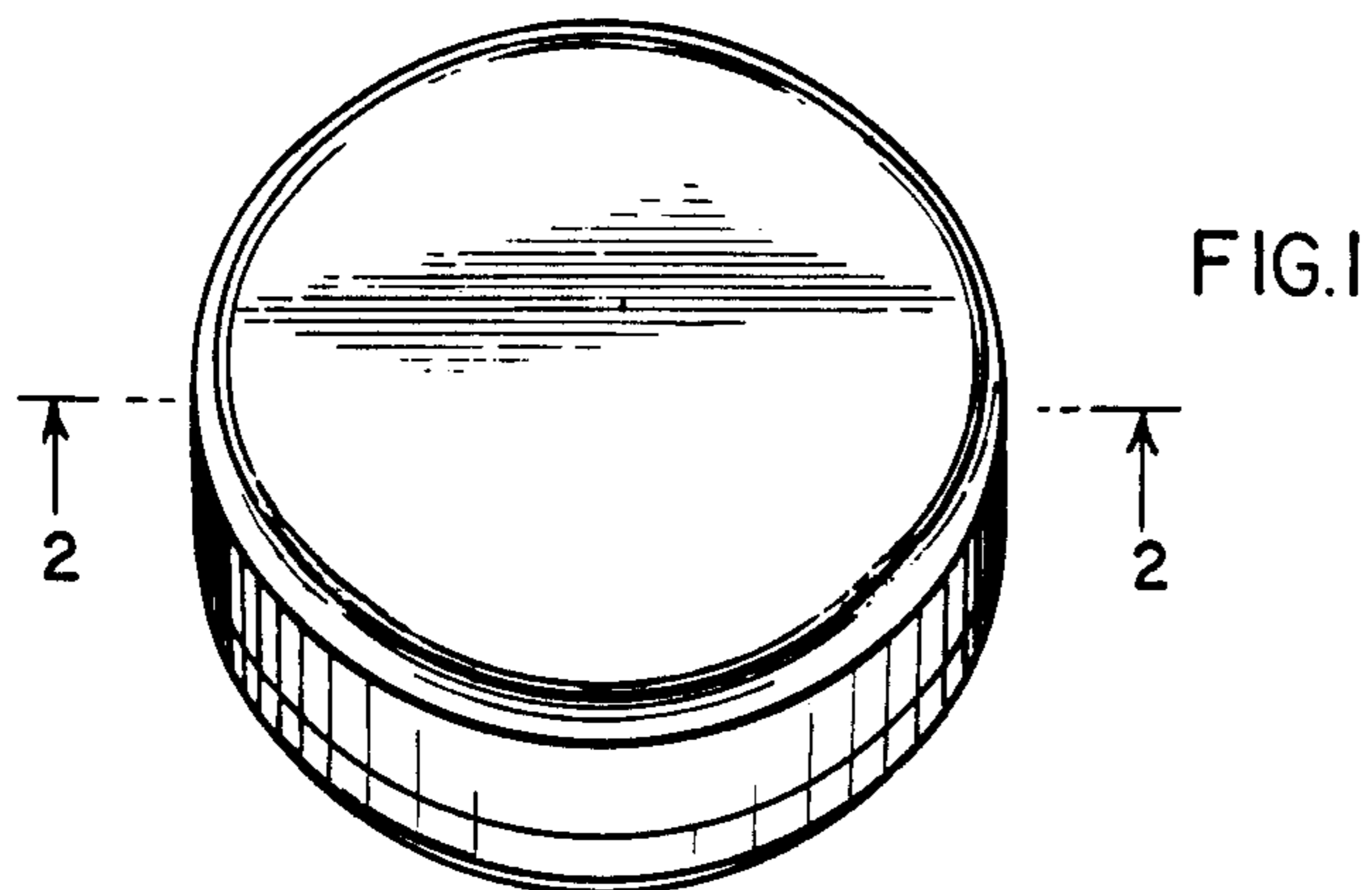


FIG. 2

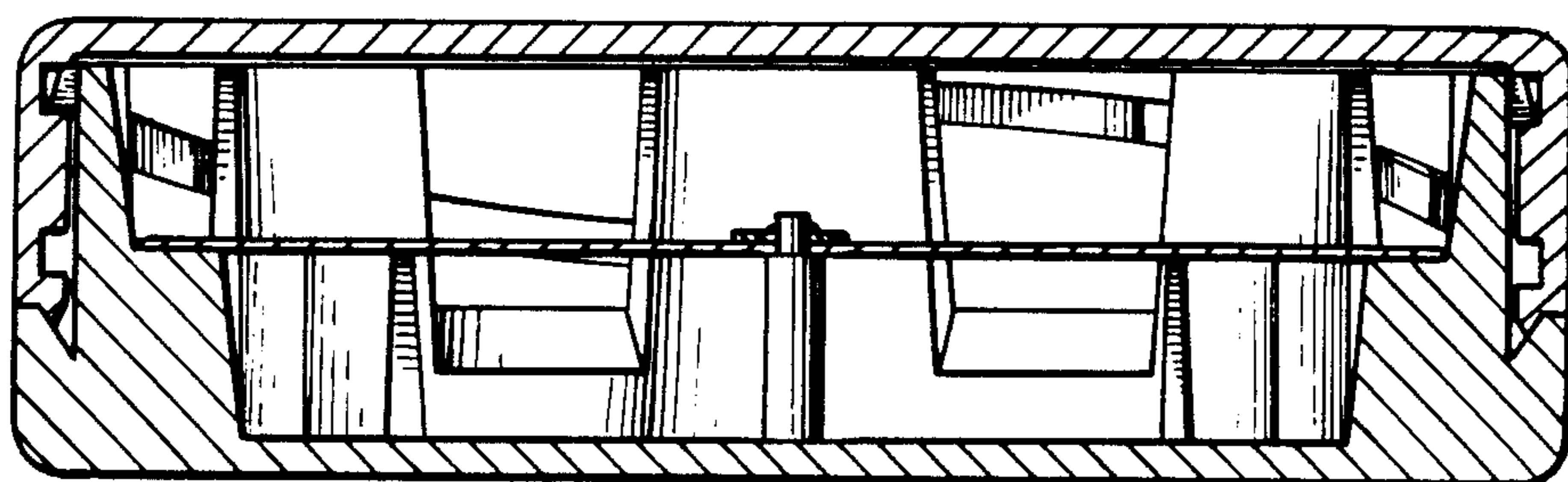


FIG. 3

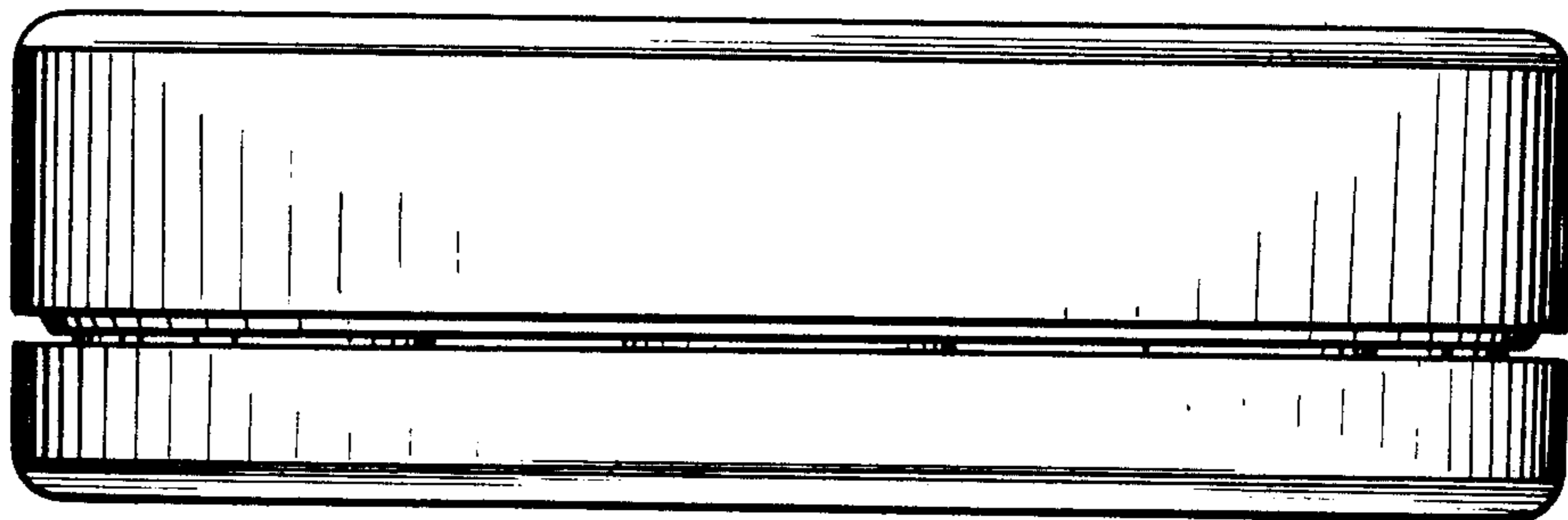


FIG. 4

