

[54] COMBINED SINK AND LIGHT BOX

[76] Inventor: Leo K. Tongish, 10206 San Juan Ave., South Gate, Calif. 90280

[**] Term: 14 Years

[21] Appl. No.: 770,458

[22] Filed: Feb. 22, 1977

[51] Int. Cl. D23-02

[52] U.S. Cl. D23/58

[58] Field of Search D23/58-64; 4/166, 187, 189, 190; 312/204, 209, 228

[56] References Cited

U.S. PATENT DOCUMENTS

- D. 35,008 8/1901 Clow D23/58
- D. 244,030 4/1977 Tongish D23/58

Primary Examiner—James R. Largen
Attorney, Agent, or Firm—Georges A. Maxwell

[57] CLAIM

The ornamental design for a combined sink and light box, as shown and described.

DESCRIPTION

FIG. 1 is a perspective view of a combined sink and light box showing my new design;
 FIG. 2 is a top plan view thereof;
 FIG. 3 is a front elevational view thereof;
 FIG. 4 is a bottom plan view thereof;
 FIG. 5 is a rear elevational view thereof;
 FIG. 6 is a right end elevational view thereof, the left end being a mirror image of the end shown; and
 FIG. 7 is a cross sectional view taken on line 7-7 of FIG. 3.

The broken line representation of a support stand in FIG. 1 is for purpose of illustration only.

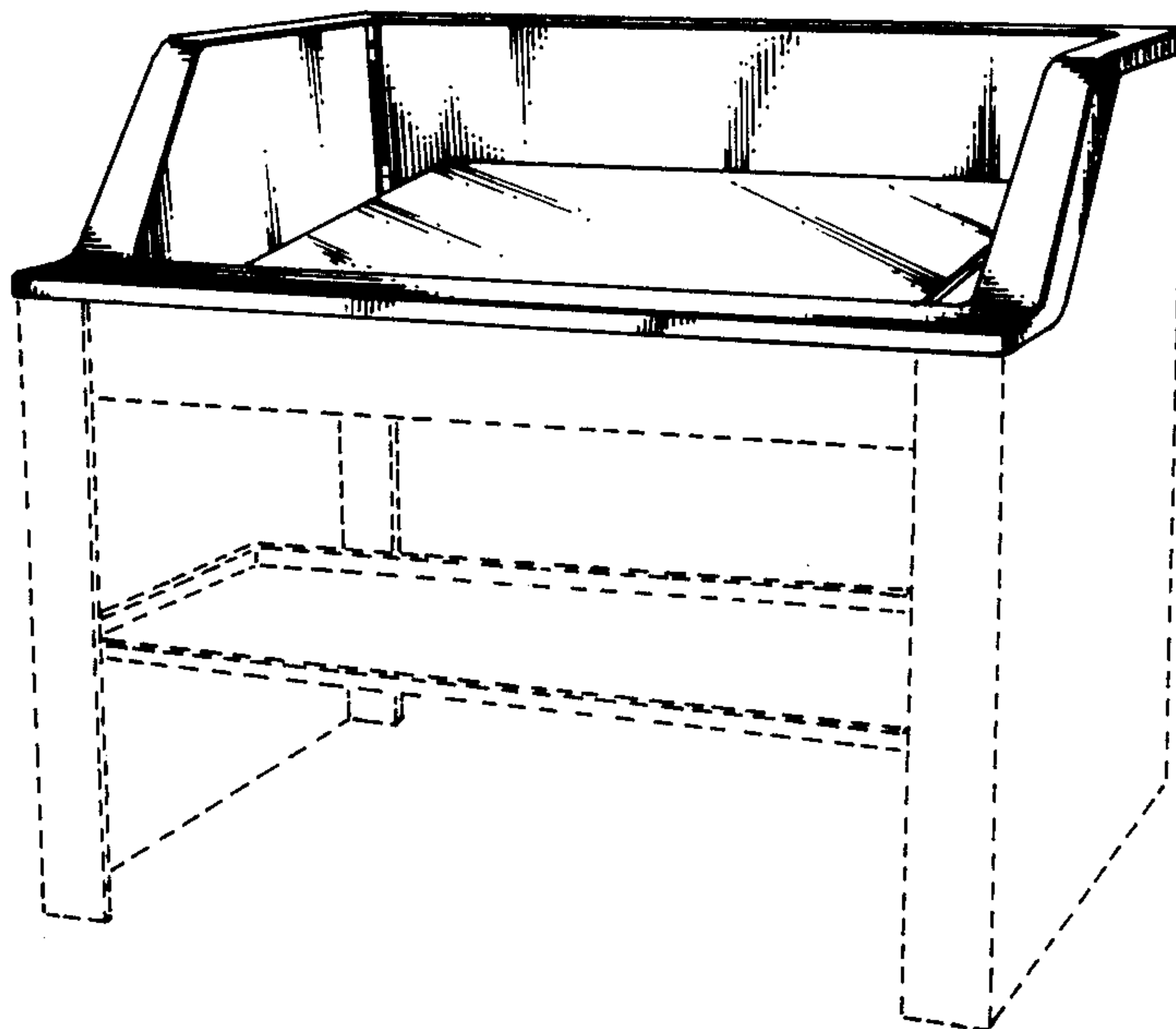


Fig. 1.

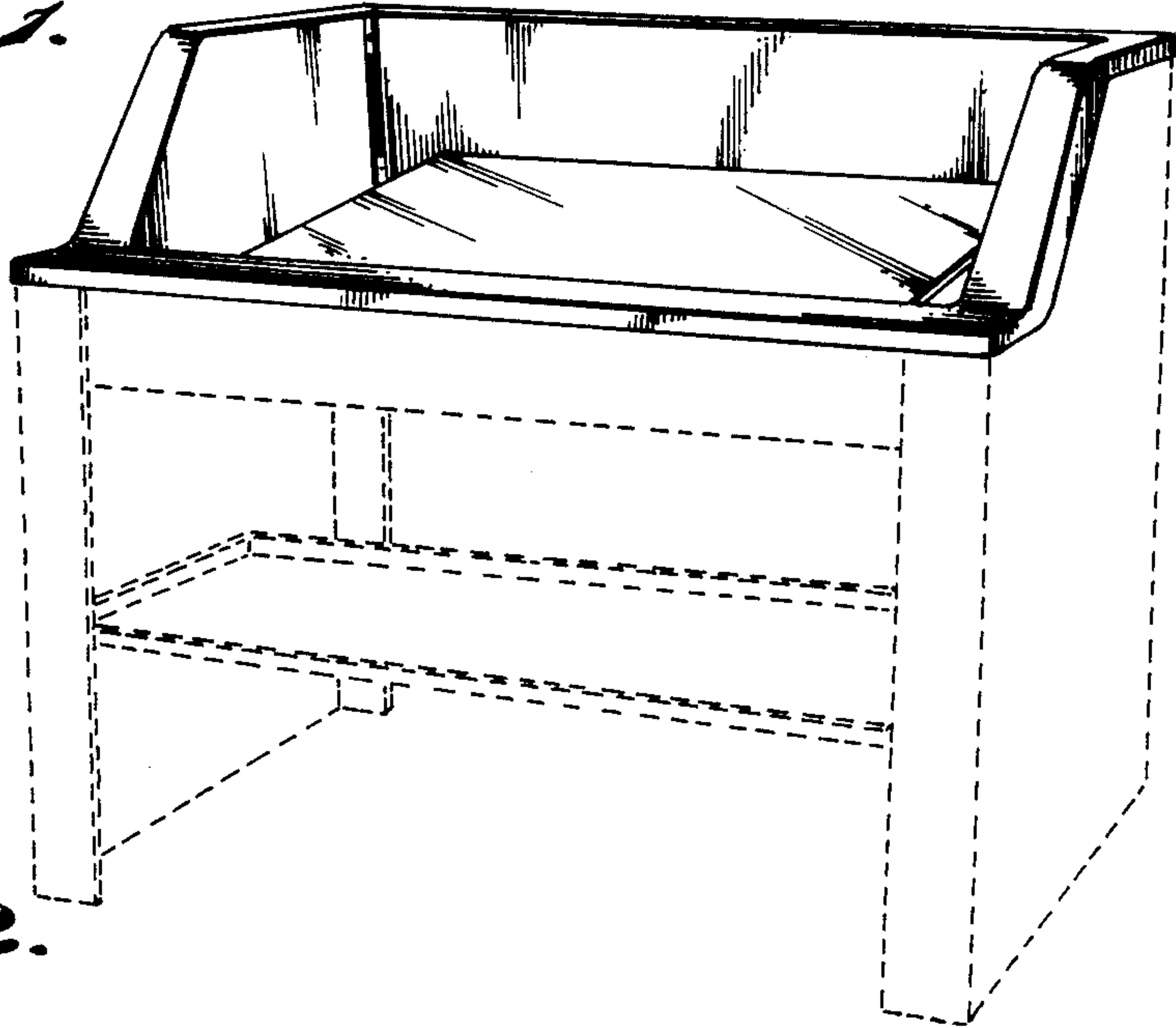


Fig. 2.

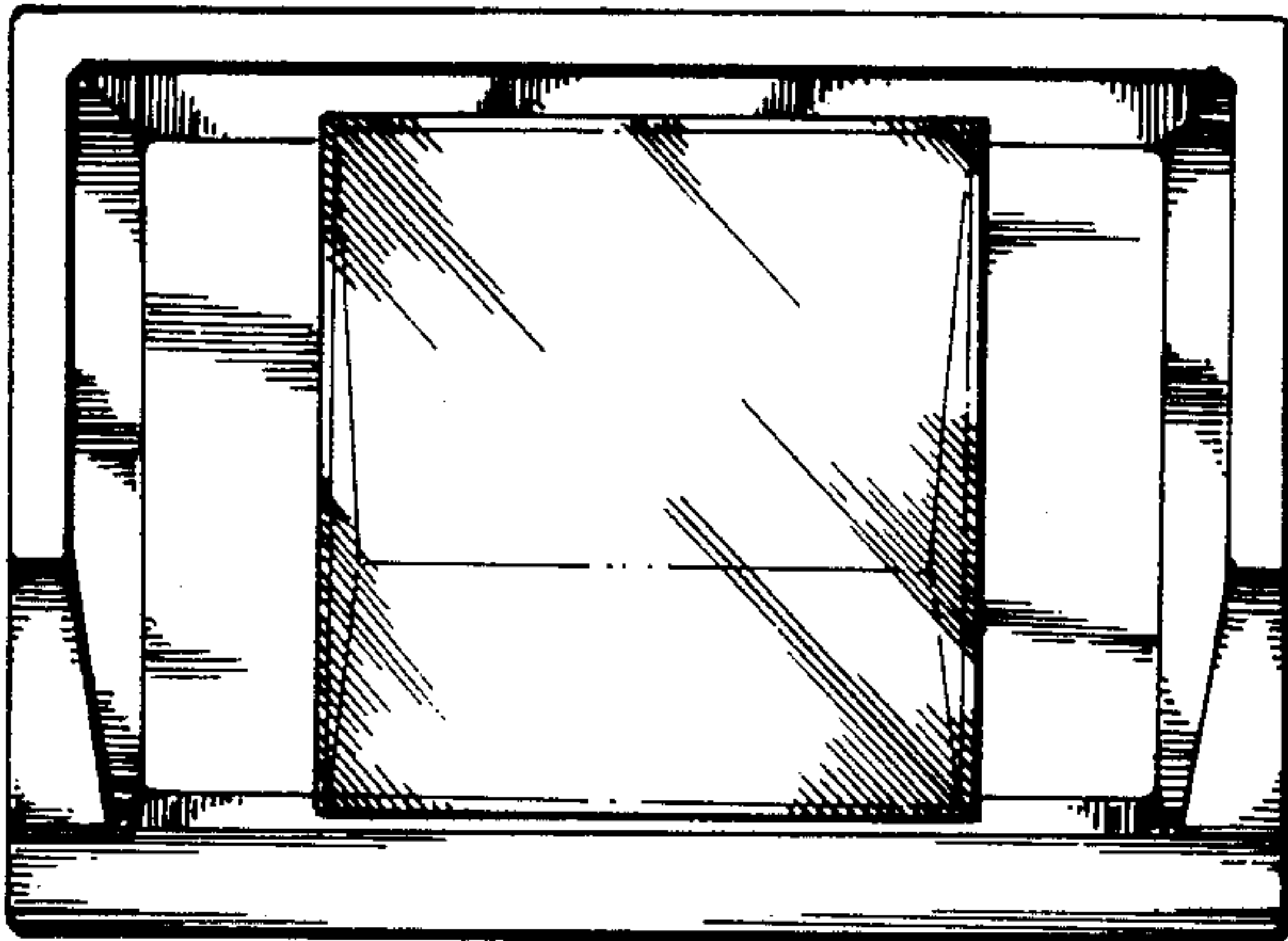


Fig. 5.

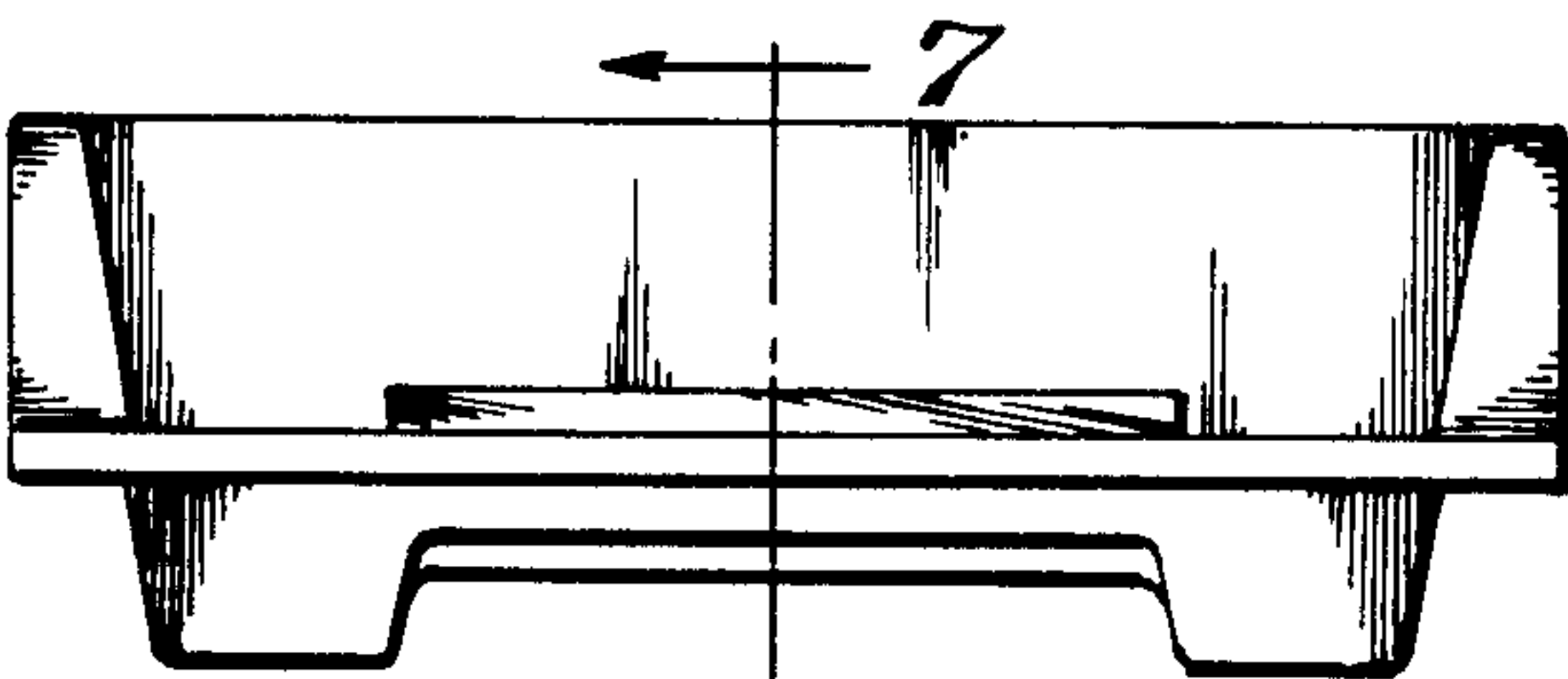
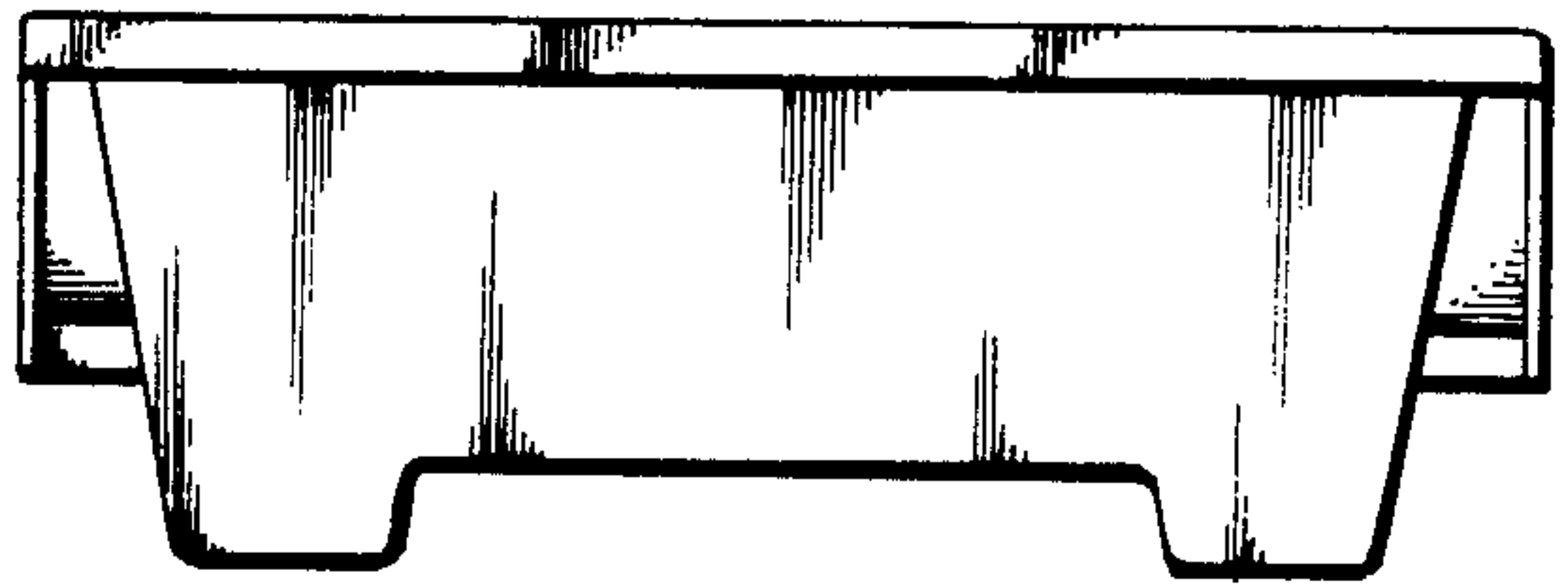


Fig. 3.

Fig. 6.

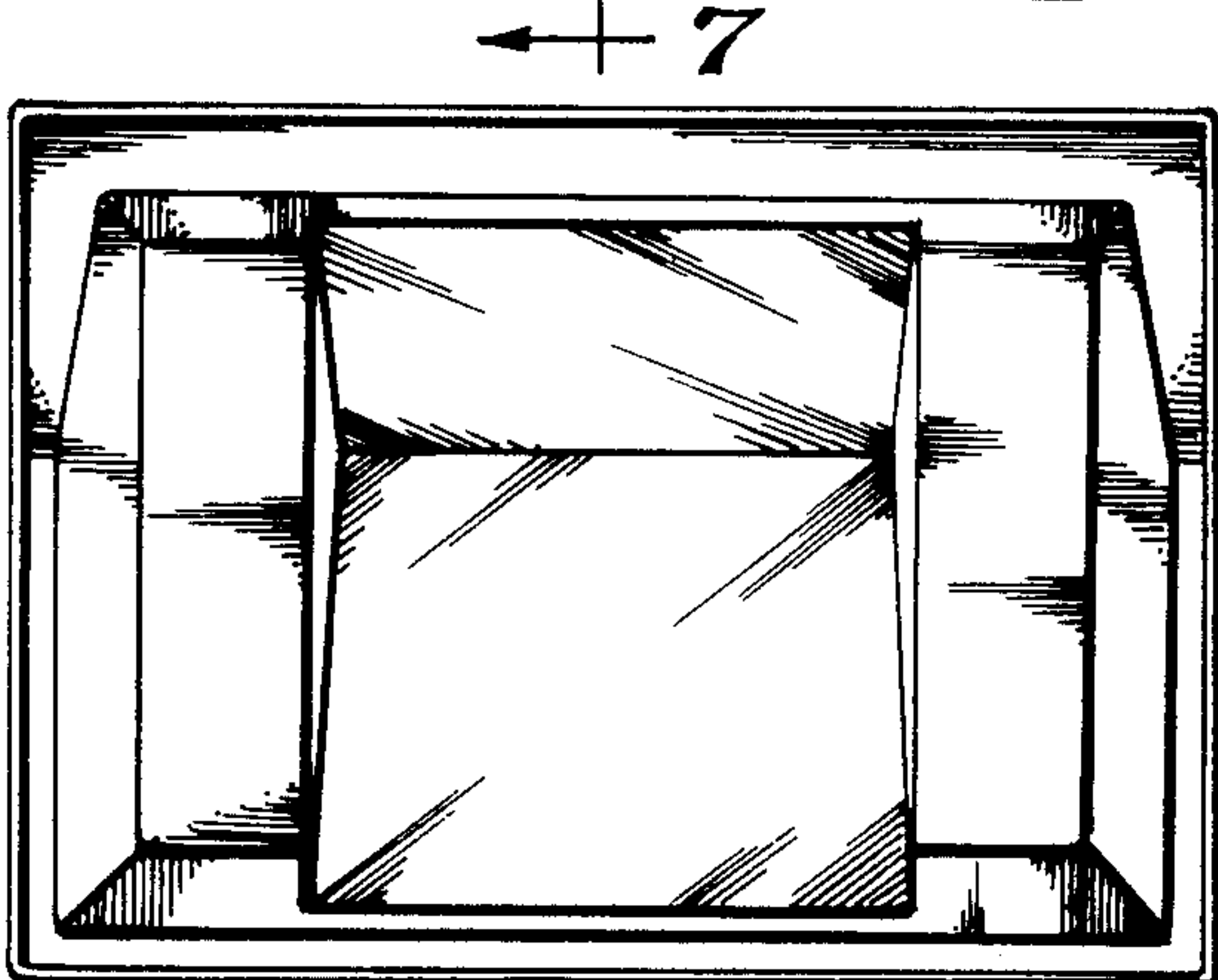
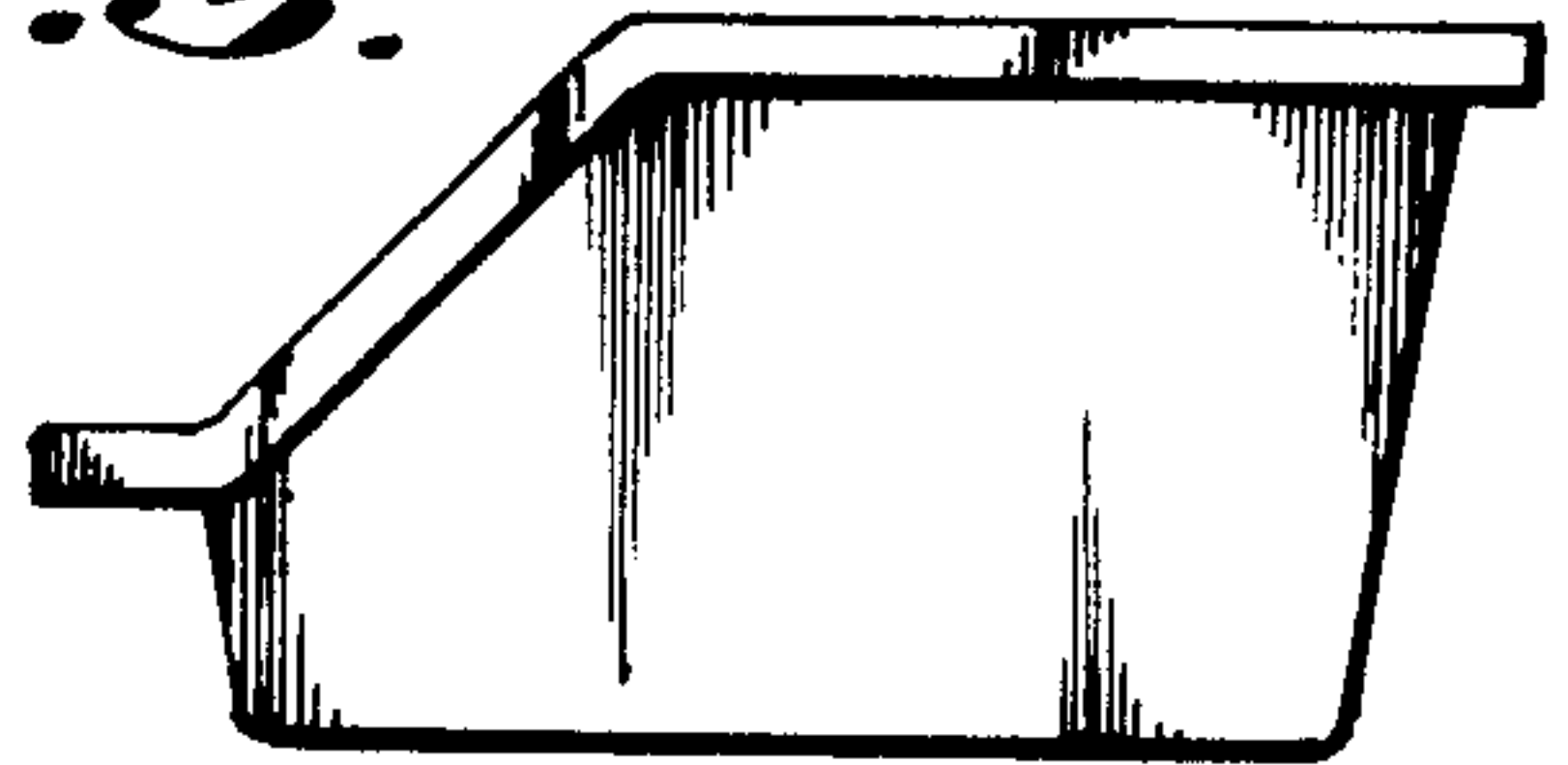


Fig. 4.

Fig. 7.

