

[54] **FILMSTRIP PROJECTOR**

[75] Inventors: **Norman R. Kubnick, Skokie; Dennis J. Erber, Palatine, both of Ill.**

[73] Assignee: **Bell & Howell Company, Chicago, Ill.**

[**] Term: **14 Years**

[21] Appl. No.: **647,256**

[22] Filed: **Jan. 7, 1976**

Related U.S. Application Data

[63] Continuation-in-part of Ser. No. 539,878, Jan. 9, 1975, abandoned.

[51] Int. Cl. **D16-02**

[52] U.S. Cl. **D16/18**

[58] Field of Search **D16/11-26; 352/104, 72; 353/11, 22-25, 27, 39, 47, 74, 75, 77, 119, 122; 40/106.1**

References Cited

U.S. PATENT DOCUMENTS

D. 203,714 2/1966 Radtke D16/18
D. 215,969 11/1969 Anderson D16/18

D. 219,554 12/1970 Prazsky D16/13 X
3,953,120 4/1976 Badalich et al. 352/72 X

Primary Examiner—James R. Largen
Assistant Examiner—Catherine Kemper
Attorney, Agent, or Firm—Roger M. Fitz-Gerald

[57] **CLAIM**

The ornamental design for a filmstrip projector, substantially as shown and described.

DESCRIPTION

FIG. 1 is a perspective view of a filmstrip projector showing our new design in the closed configuration. FIG. 2 is a perspective view of a filmstrip projector showing our new design in the open configuration. FIG. 3 is a top plan view thereof in the open configuration. FIG. 4 is a bottom plan view thereof in the closed configuration. FIG. 5 is a side elevational view thereof in the open configuration. FIG. 6 is an elevational view thereof in the open configuration of the side opposite to that in FIG. 5. FIG. 7 is a front elevational view thereof in the closed configuration. FIG. 8 is a rear elevational view thereof in the open configuration.

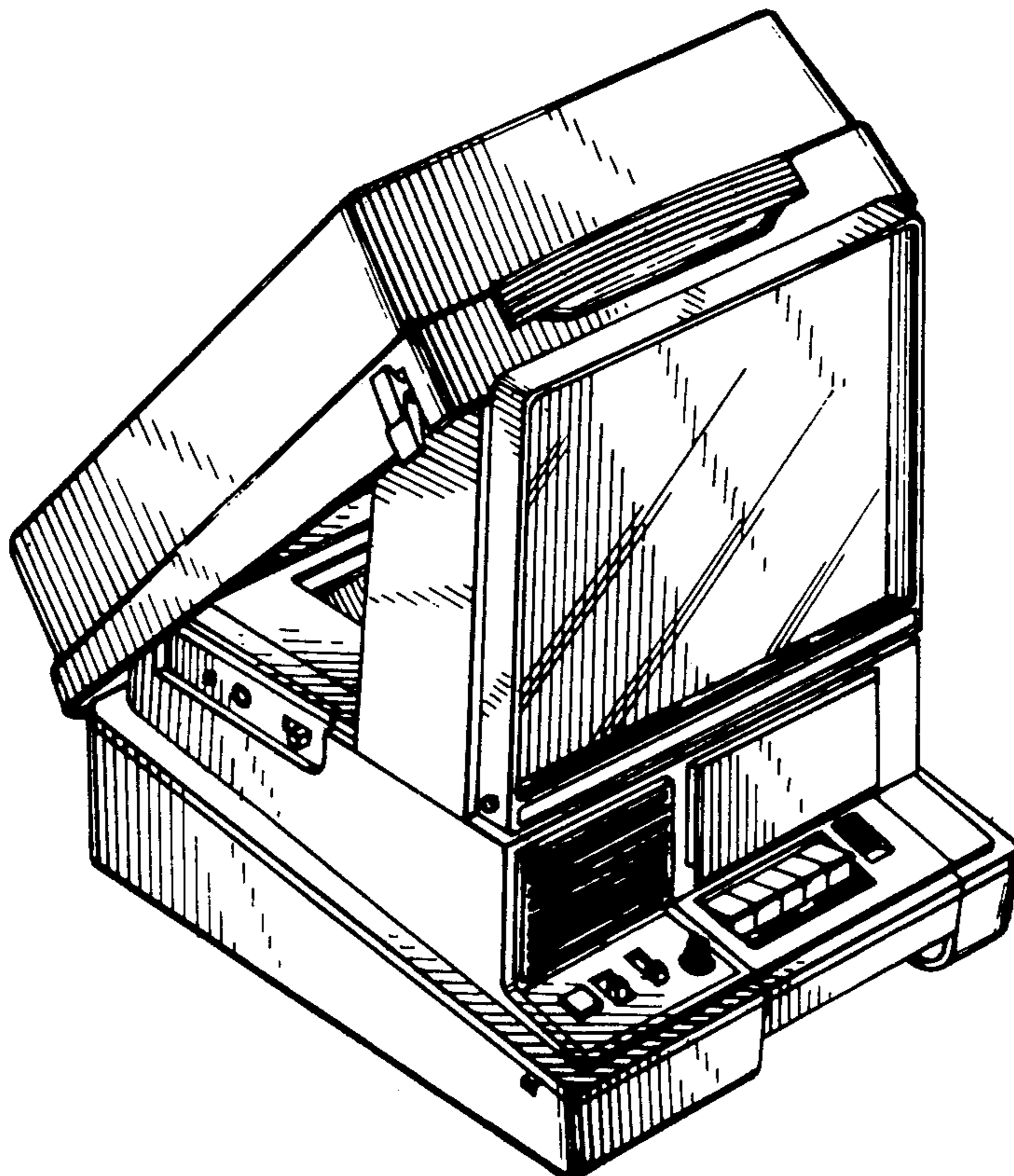


Fig. 1.

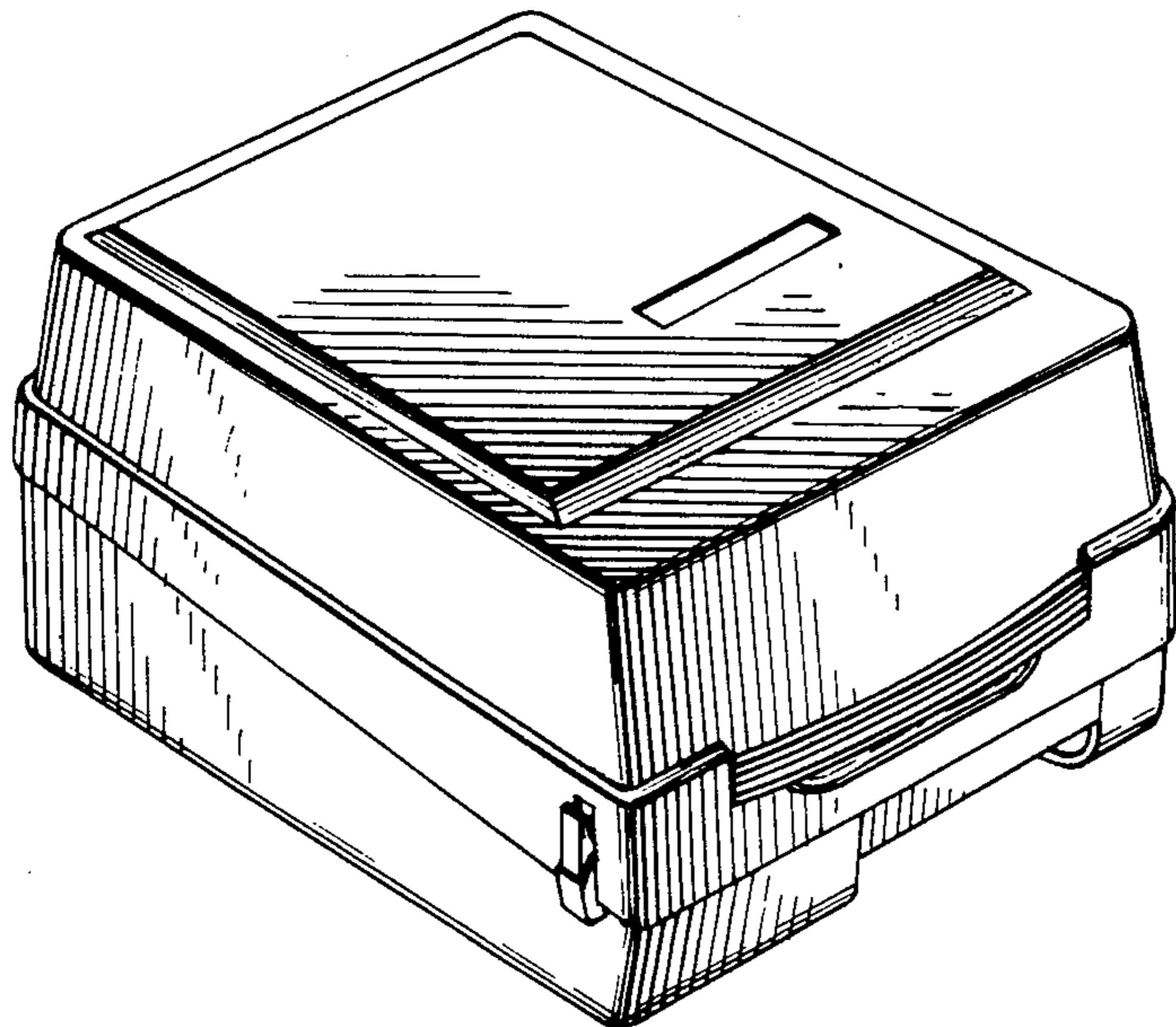


Fig. 3.

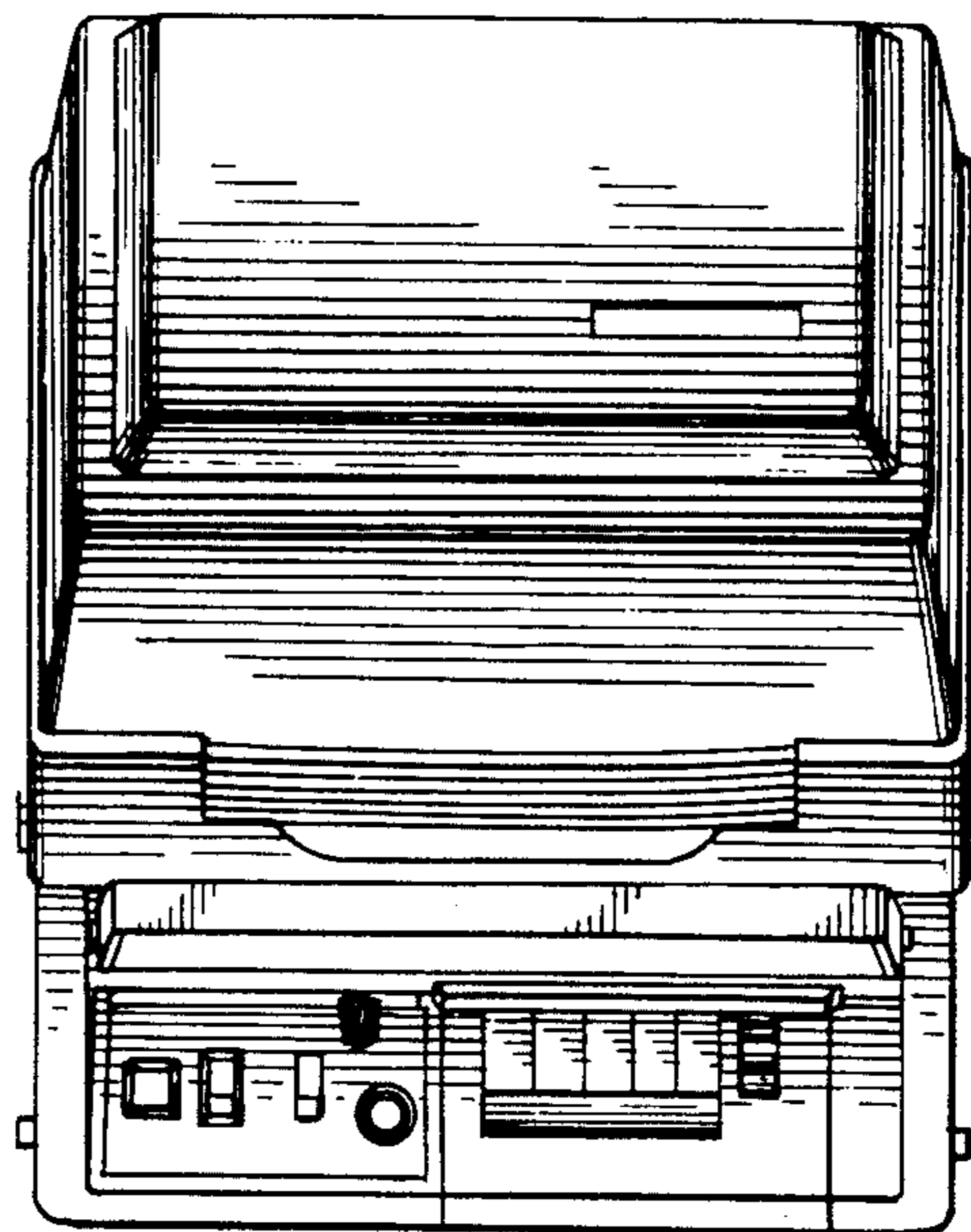


Fig. 2.

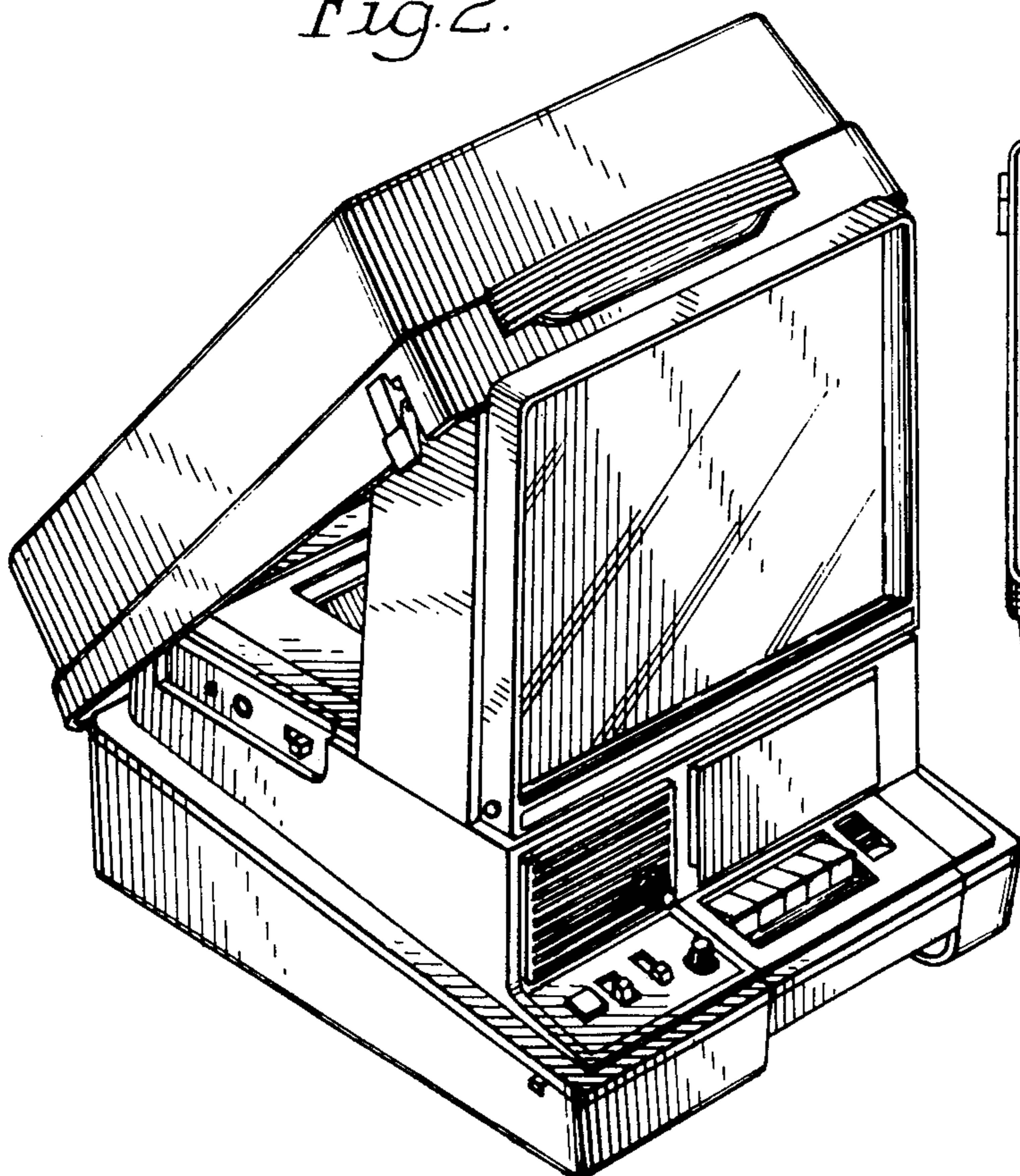


Fig. 4.

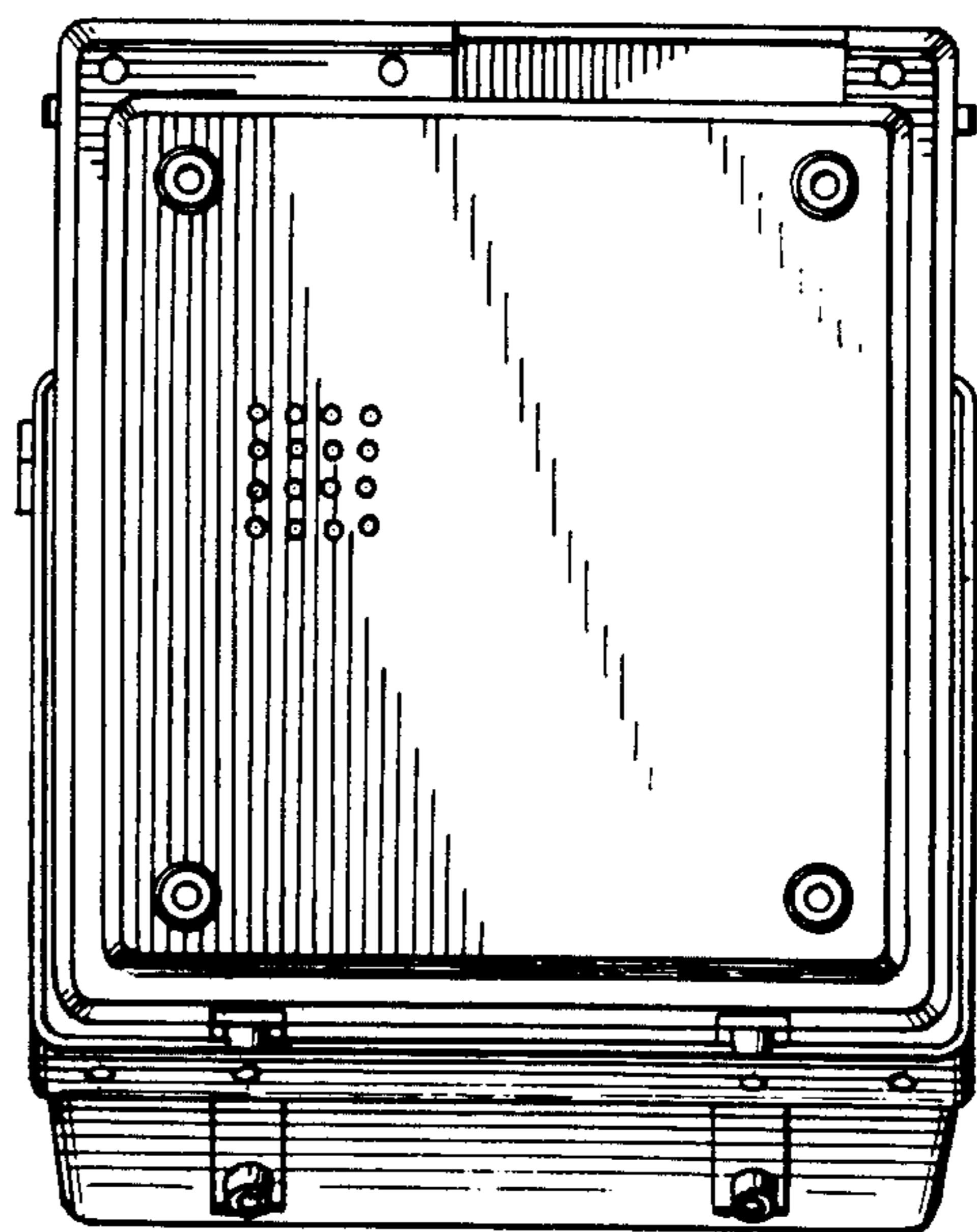


Fig. 5.

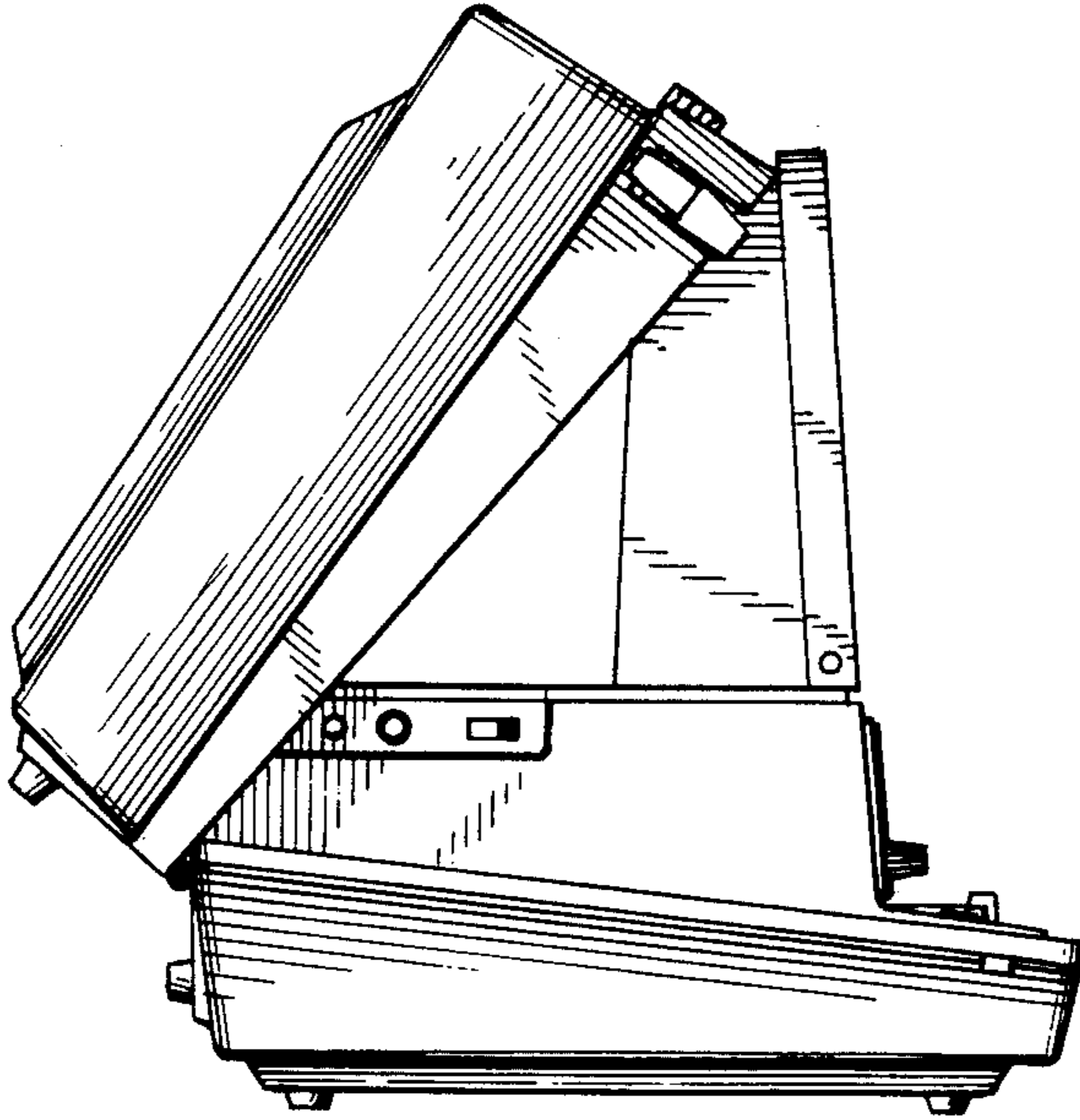


Fig. 7.

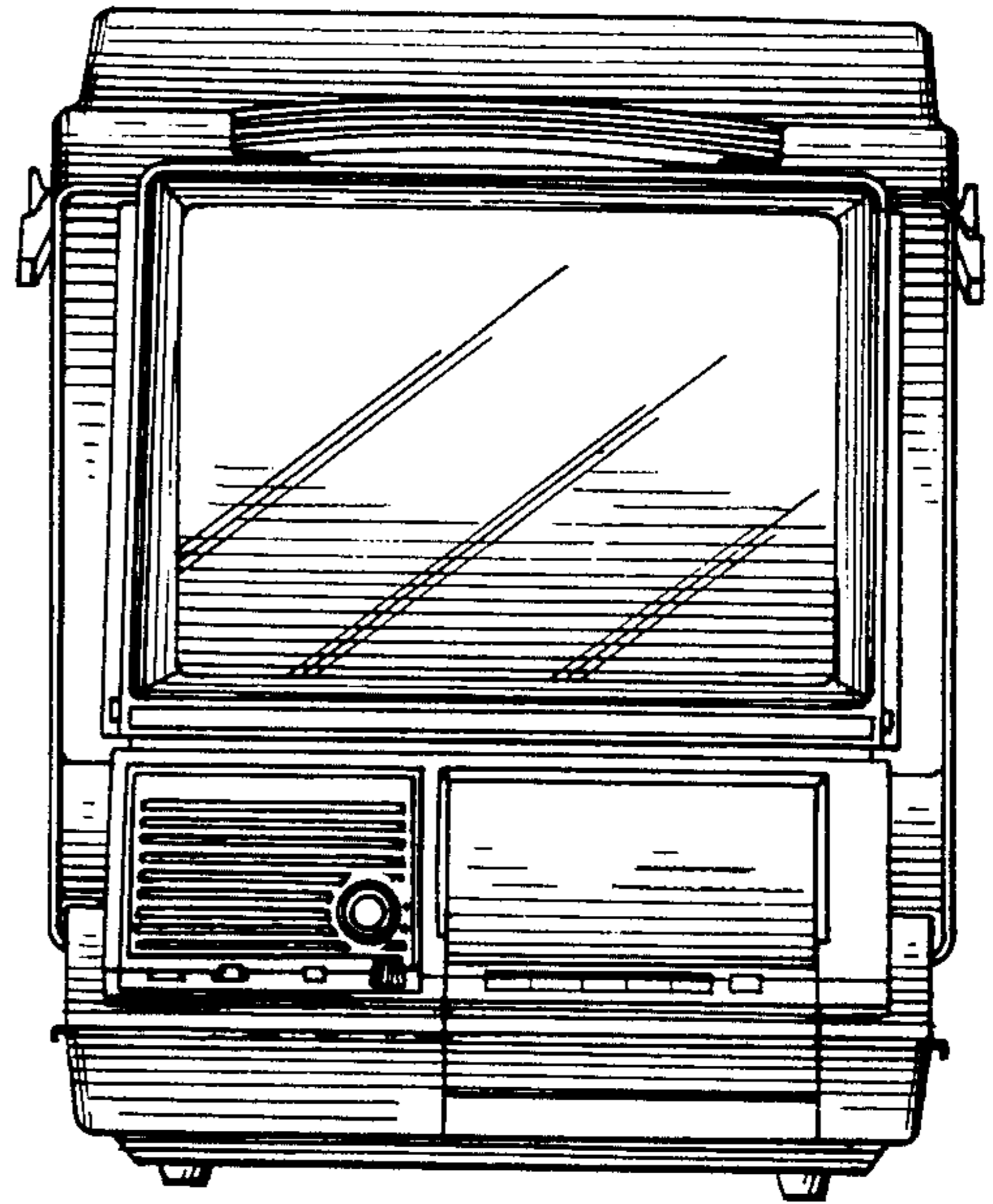


Fig. 6.

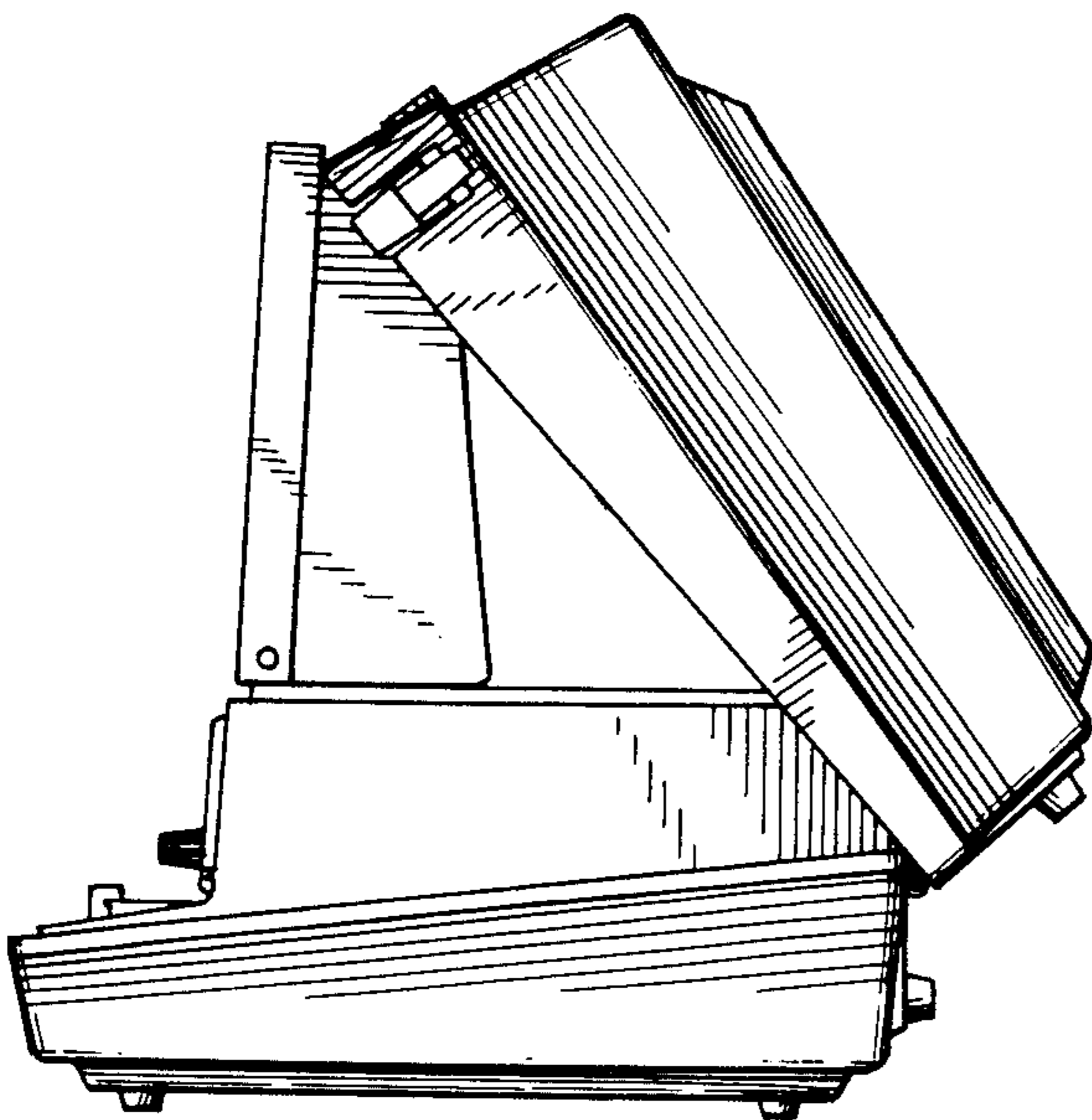


Fig. 8.

