

[54] PULLEY, SHAFT AND BLADE-HOLDER ASSEMBLY FOR A POWER-DRIVEN LAWNMOWER OR THE LIKE

[75] Inventors: John C. Gunn; James E. Null, both of Newark, Ohio

[73] Assignee: Buckeye Industrial Sales, Inc., Newark, Ohio

[**] Term: 14 Years

[21] Appl. No.: 681,752

[22] Filed: Apr. 29, 1976

[51] Int. Cl. D15-99

[52] U.S. Cl. D15/148

[58] Field of Search D15/148; 308/18, 27

[56] References Cited

U.S. PATENT DOCUMENTS

D. 232,121	7/1974	Hoff	D15/148
1,870,993	8/1932	Gardner	308/18
3,633,981	1/1972	Suhr	308/27

Primary Examiner—Alan P. Douglas
Attorney, Agent, or Firm—William S. Rambo

[57] CLAIM

The ornamental design for a pulley, shaft and blade-holder assembly for a power-driven lawnmower or the like, substantially as shown.

DESCRIPTION

FIG. 1 is a side elevational view of a pulley, shaft and blade-holder assembly for a power-driven lawnmower or the like showing our new design;

FIG. 2 is a top plan view;

FIG. 3 is a bottom plan view; and

FIG. 4 is a horizontal sectional view taken along the line 4-4 of FIG. 1.

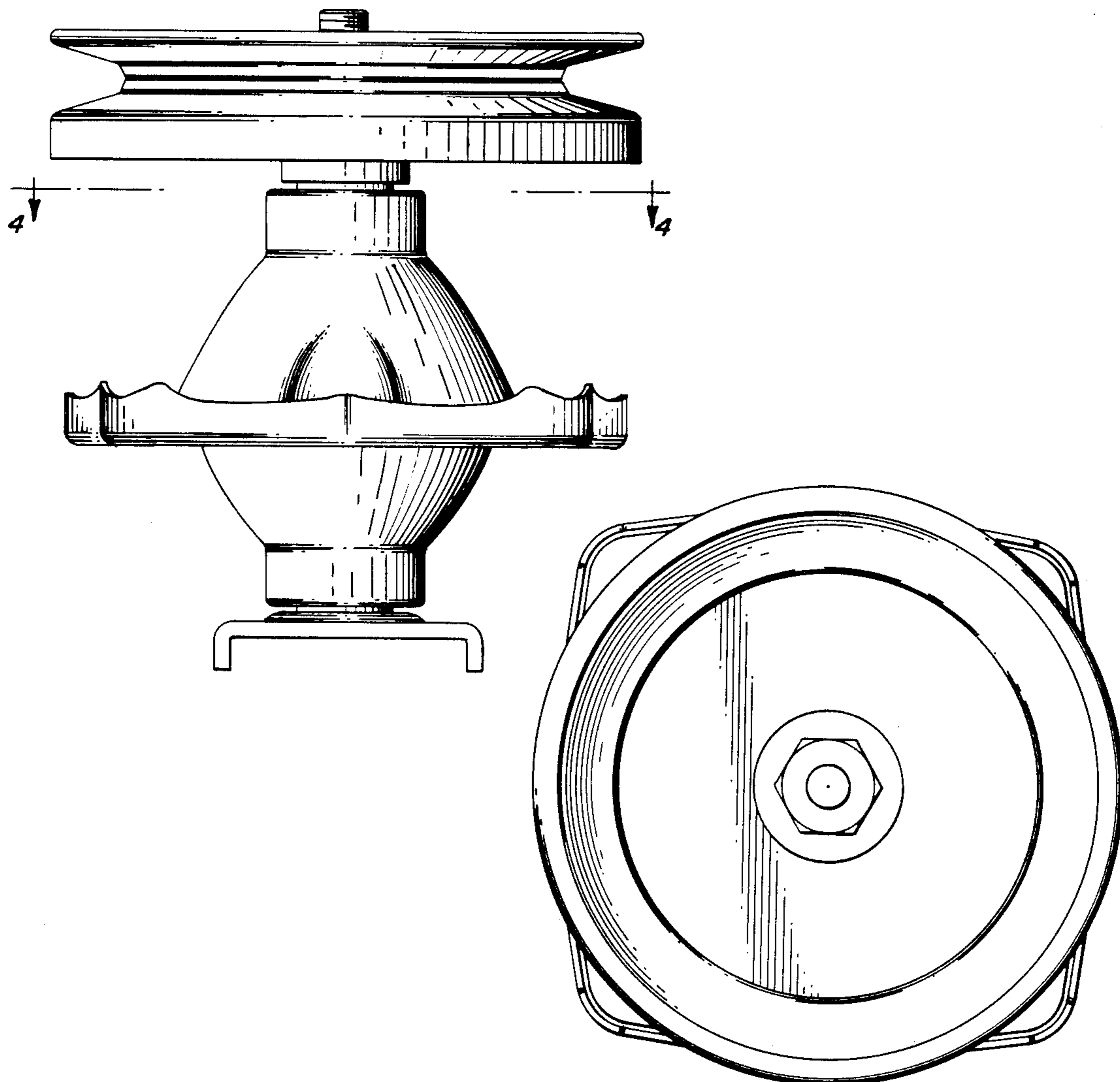


FIG. 1.

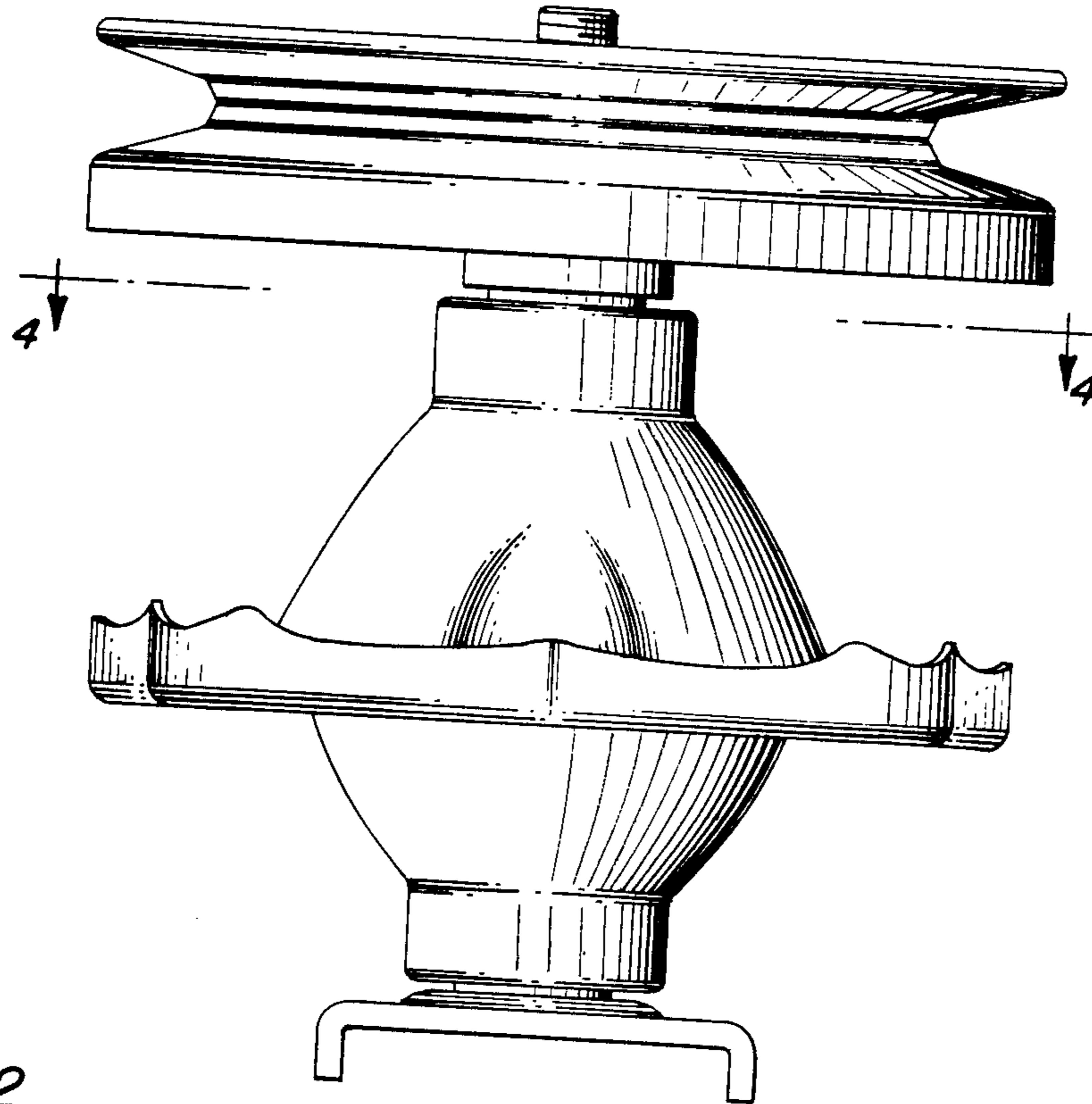


FIG. 2.

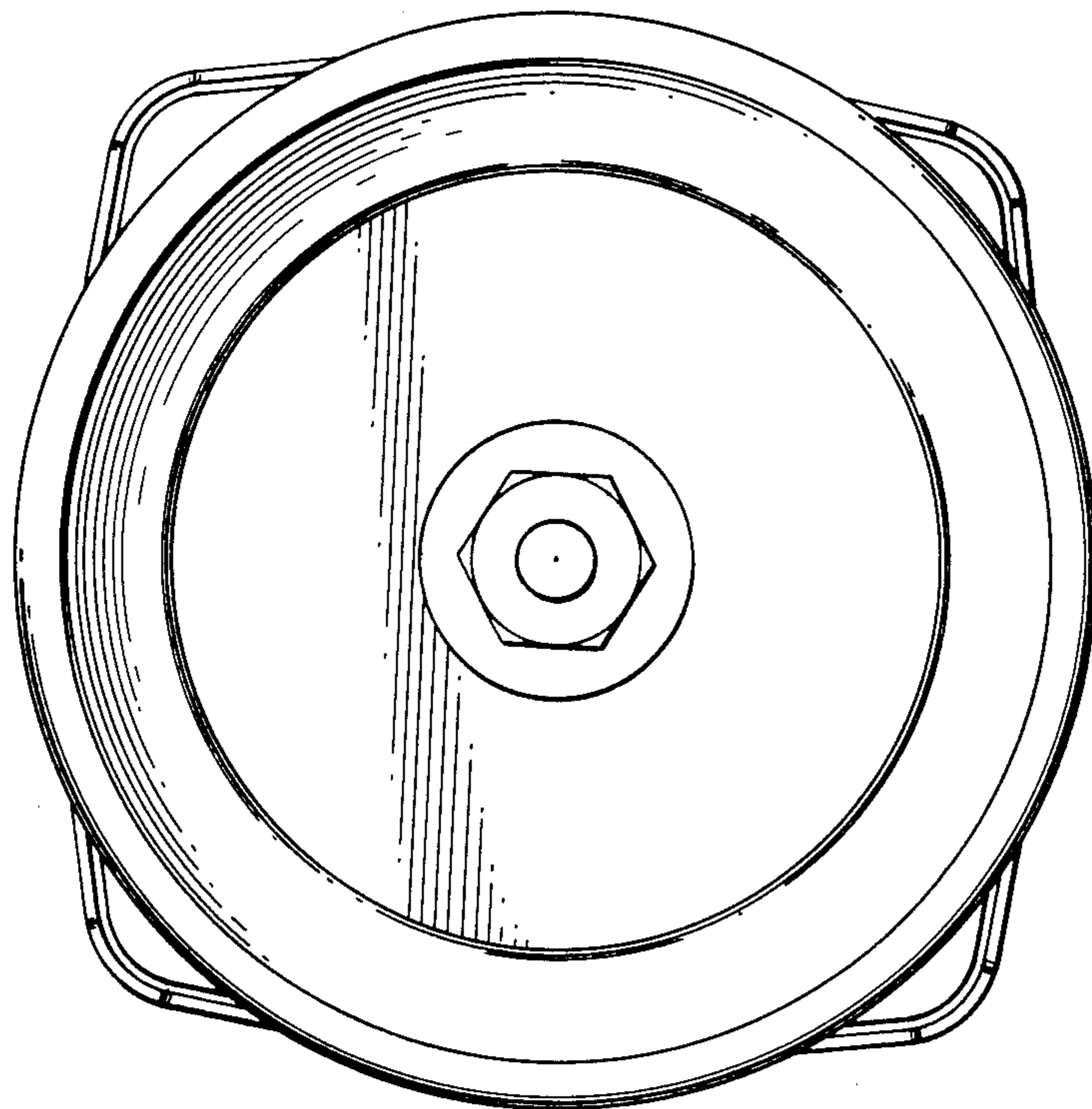


FIG. 3.

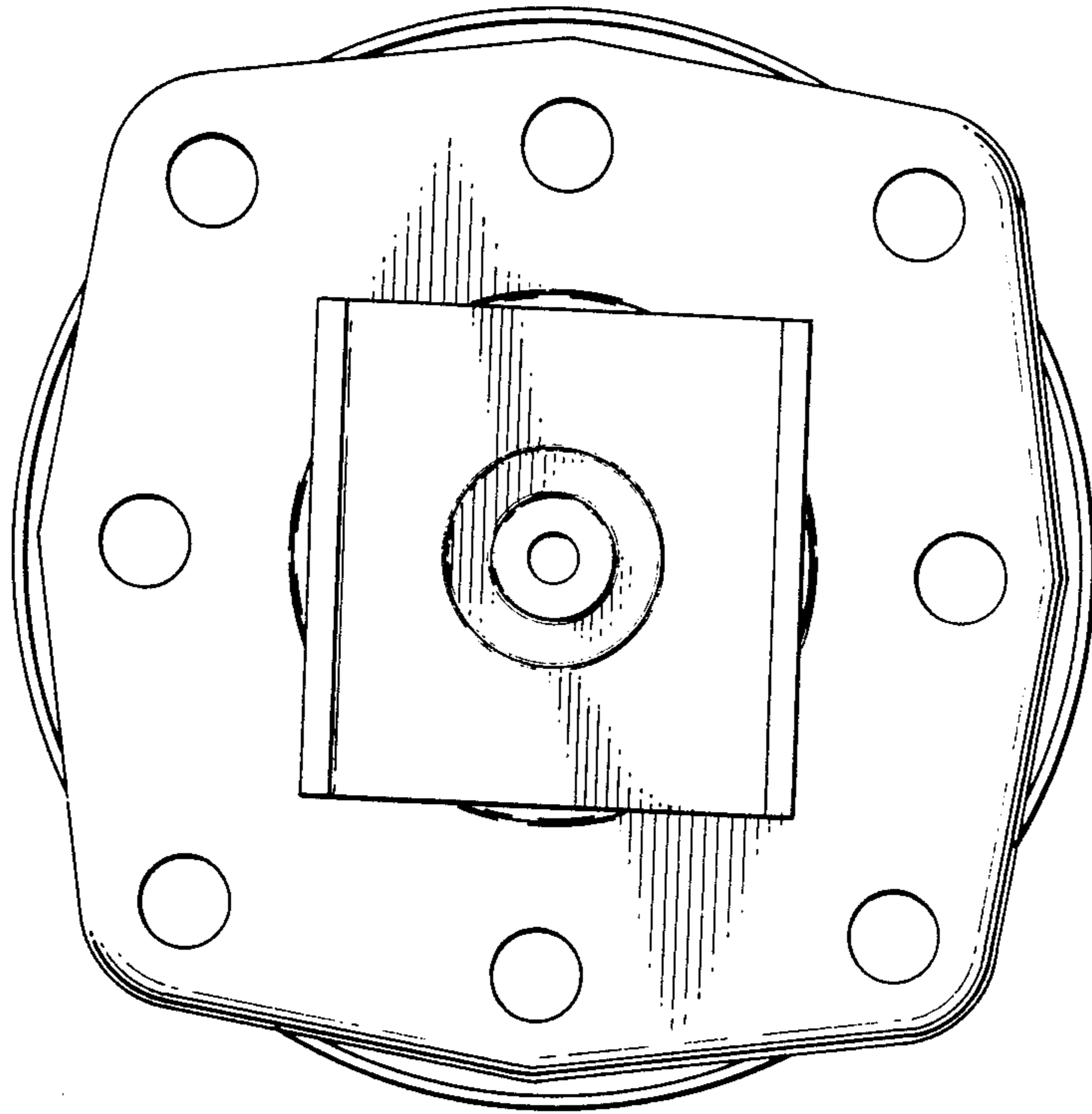


FIG. 4.

