

[54] **CLOCK RADIO**

[75] Inventor: **Aya Nakamura, Osaka, Japan**

[73] Assignee: **Sharp Kabushiki Kaisha**

[**] Term: **14 Years**

[21] Appl. No.: **633,824**

[22] Filed: **Nov. 20, 1975**

[30] **Foreign Application Priority Data**

May 30, 1975 Japan 50-22008

[51] Int. Cl. **D14-03**

[52] U.S. Cl. **D14/73**

[58] Field of Search D56/4 R, 4 B; D24/14 B,
D24/14 K, 14 L; D10/15; 312/7 R; 325/311,
352, 396; 58/50 R, 50 A; D14/73

[56] **References Cited**

U.S. PATENT DOCUMENTS

D. 232,771 9/1974 Hoshino et al. D56/4 B

D. 233,790 11/1974 Houlihan D56/4 B
D. 239,091 3/1976 Toyoshima D10/15

OTHER PUBLICATIONS

Home Furnishings Daily, 9/10/1970, p. 11-JVC Clock
Radio at top.

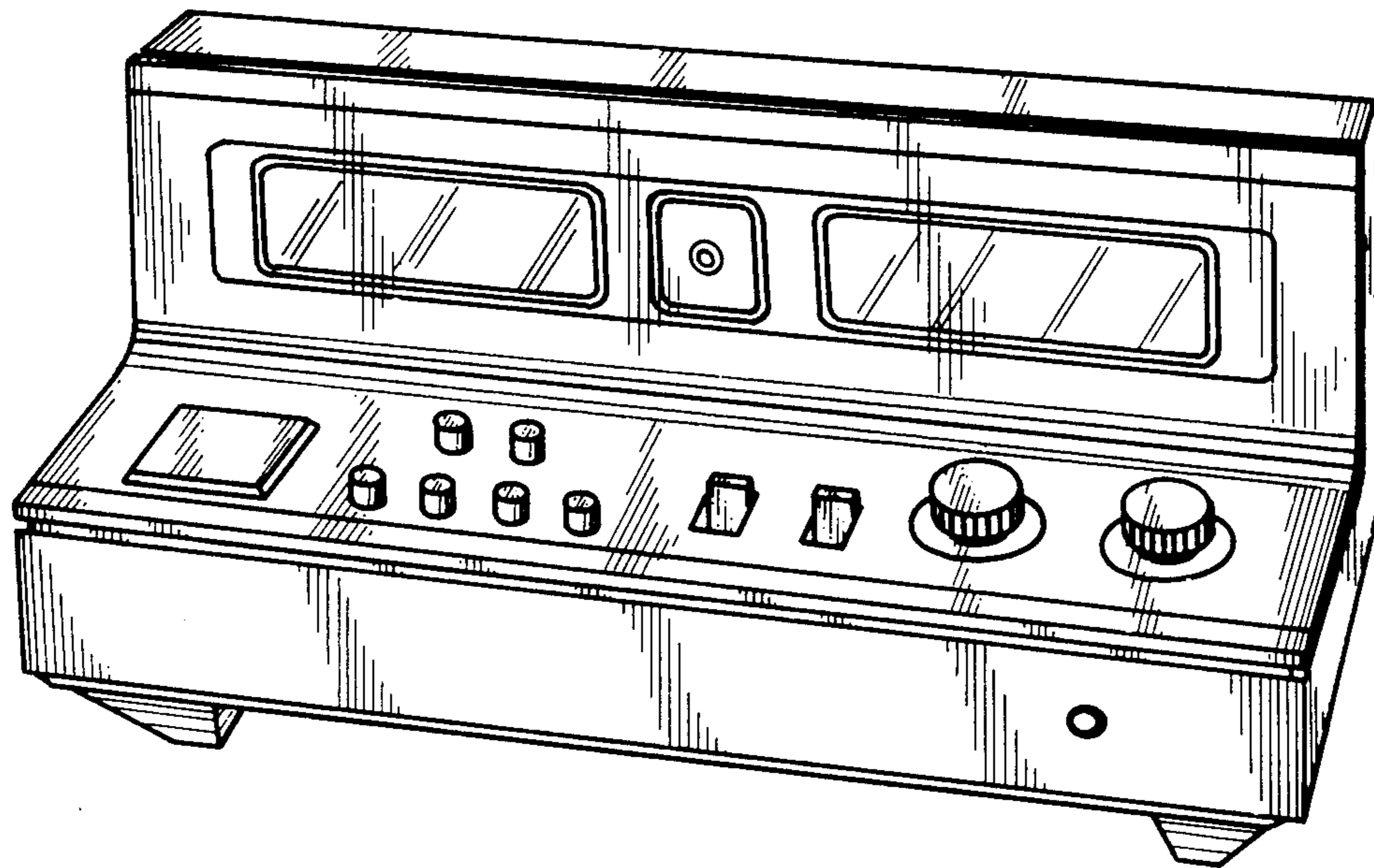
Primary Examiner—Joel Stearman
Assistant Examiner—Louis S. Zarfes

[57] **CLAIM**

The ornamental design for a clock radio, as shown and
described.

DESCRIPTION

FIG. 1 is a front perspective view of the clock radio
showing my new design;
FIG. 2 is a top plan view thereof;
FIG. 3 is a front elevational view thereof;
FIG. 4 is a right side elevational view thereof;
FIG. 5 is a left side elevational view thereof;
FIG. 6 is a rear elevational view thereof;
FIG. 7 is a bottom plan view thereof.



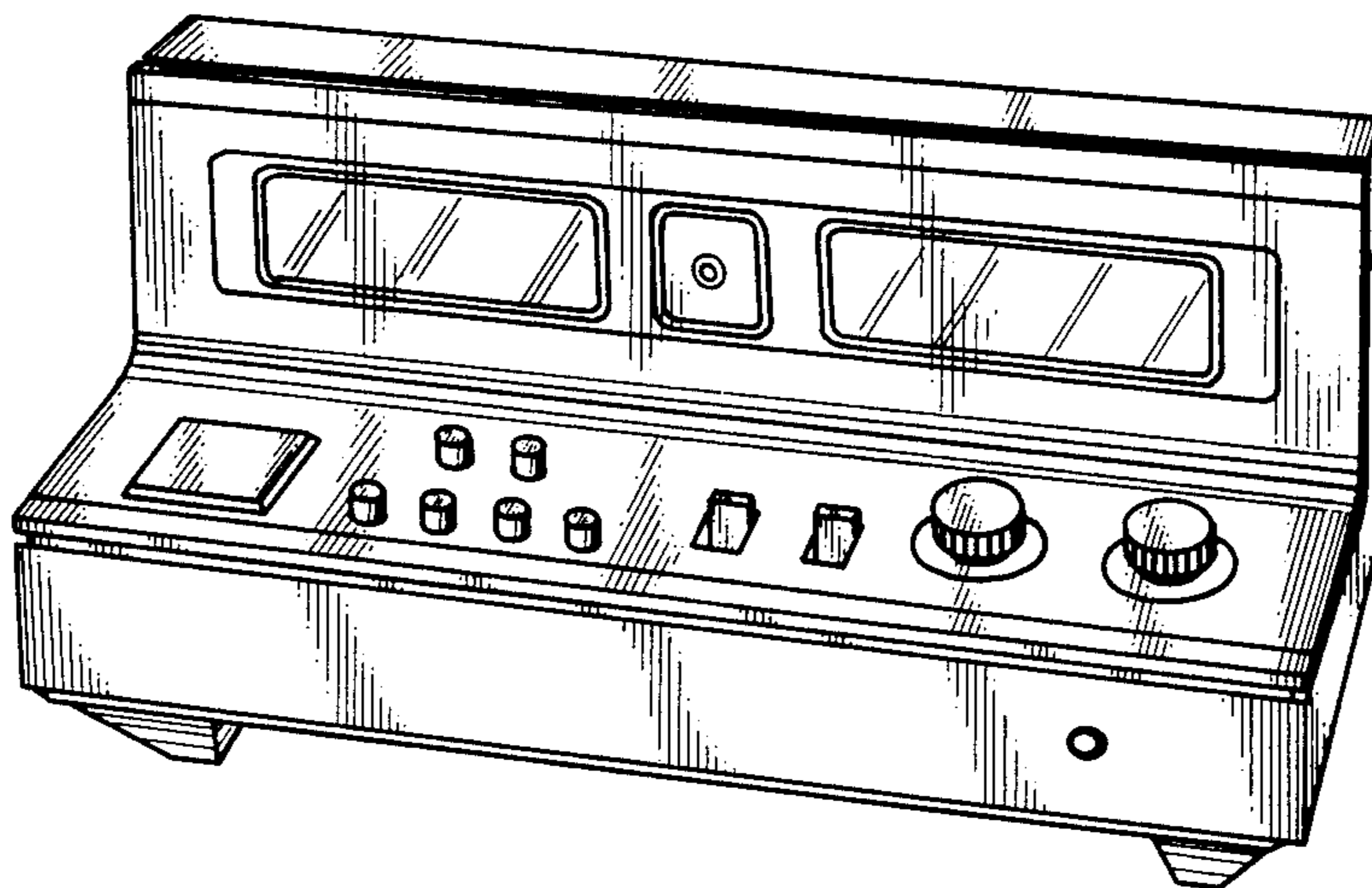


FIG.—1

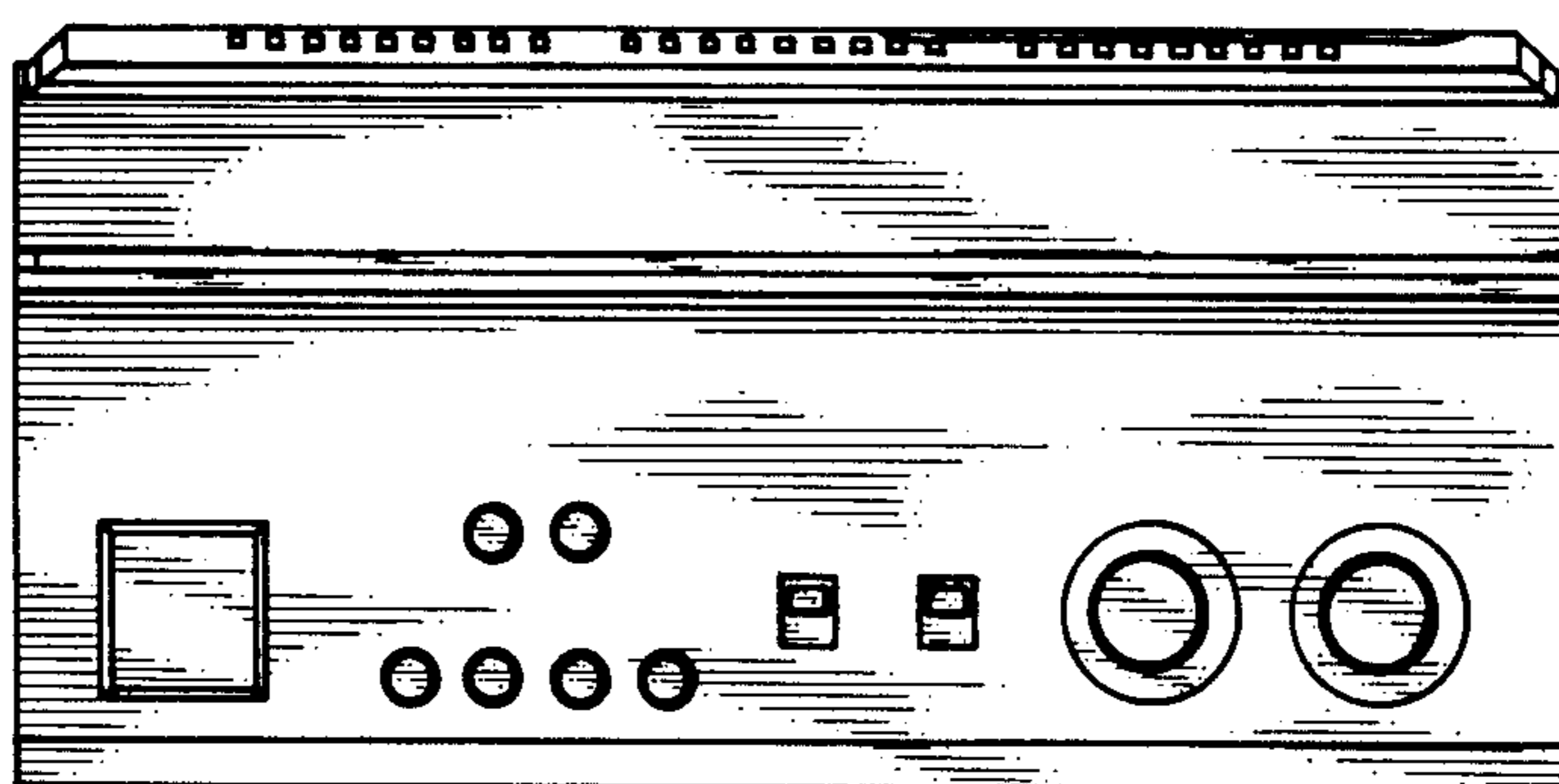


FIG.—2

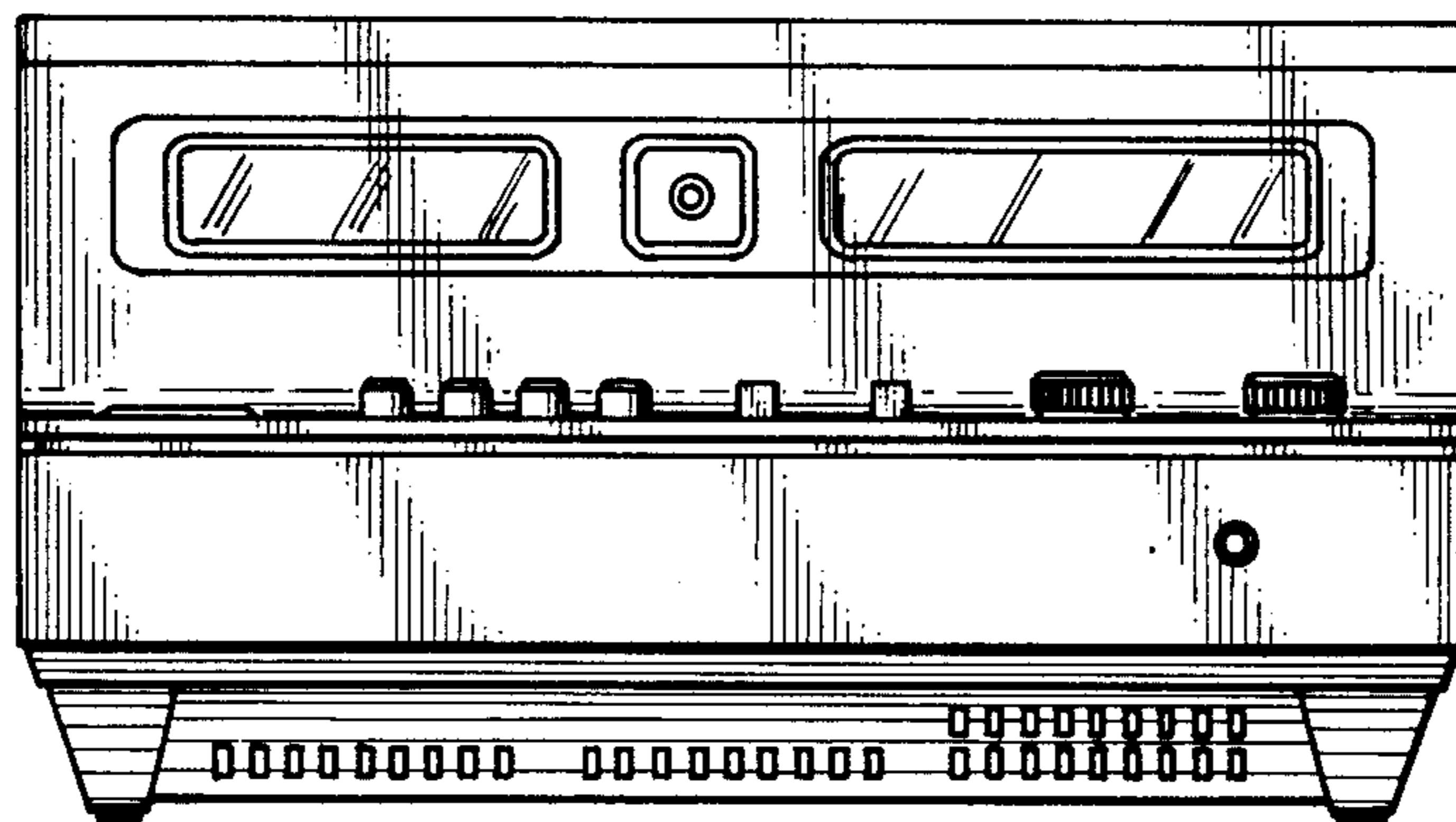


FIG.—3

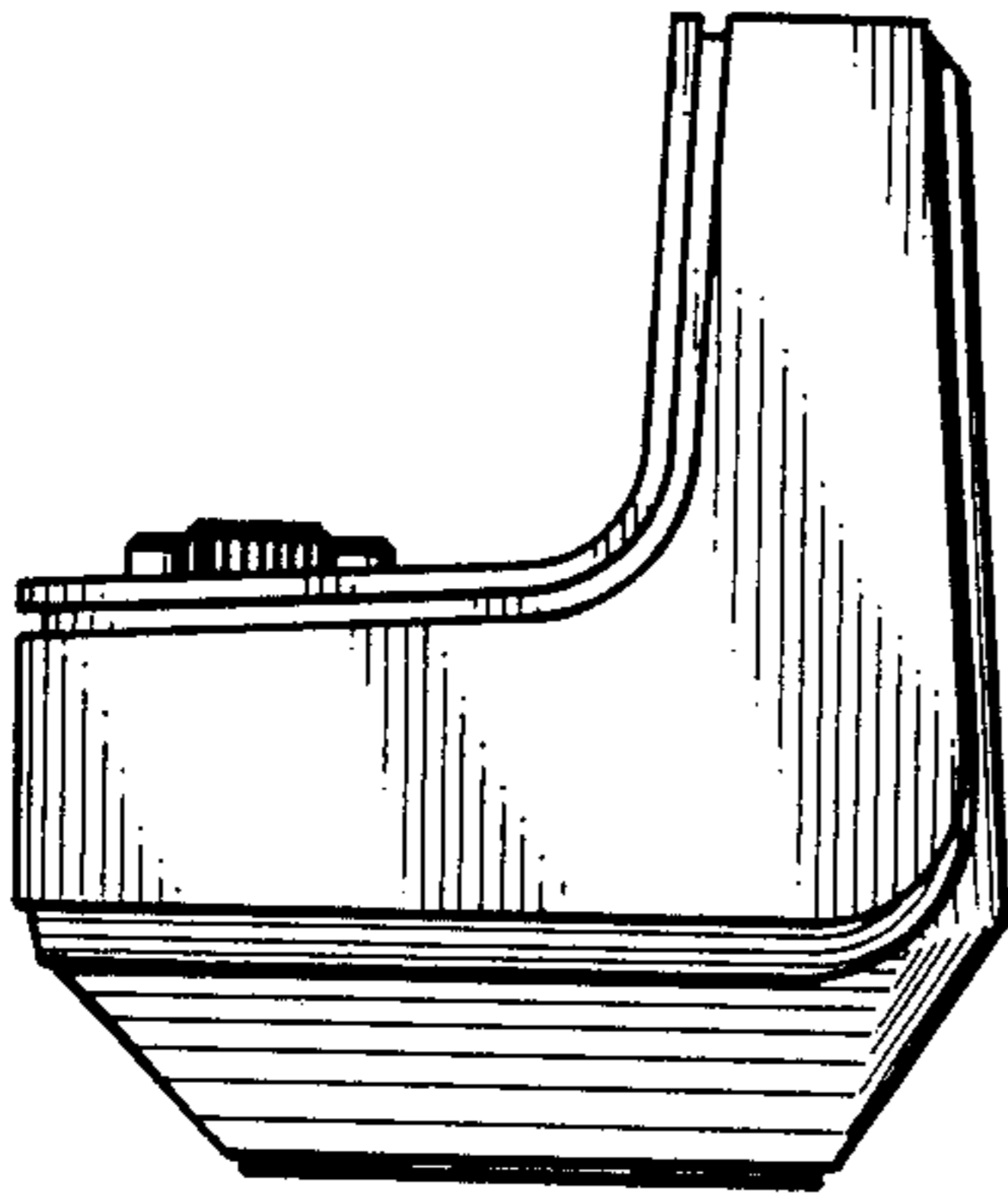


FIG.—4

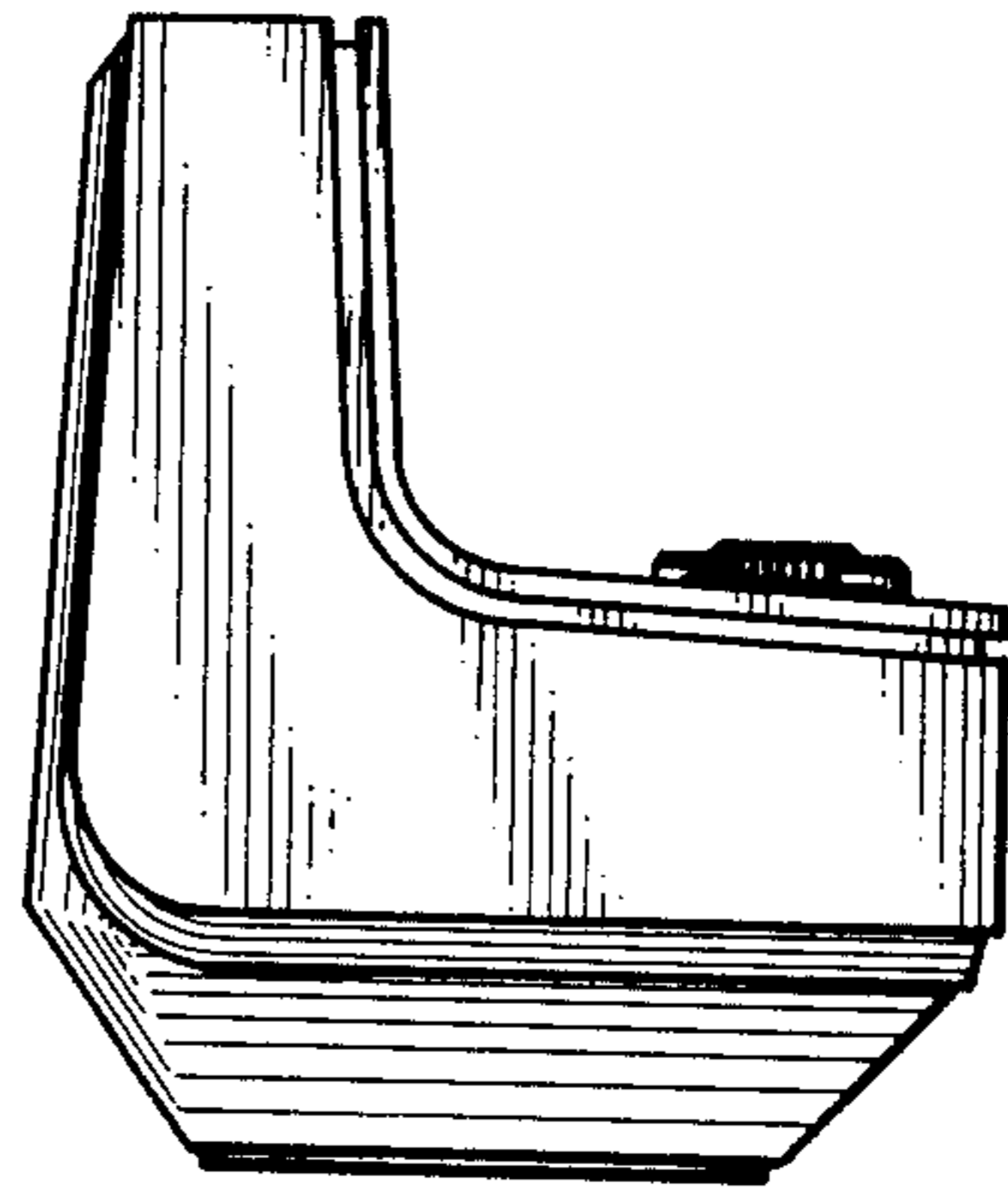


FIG.—5

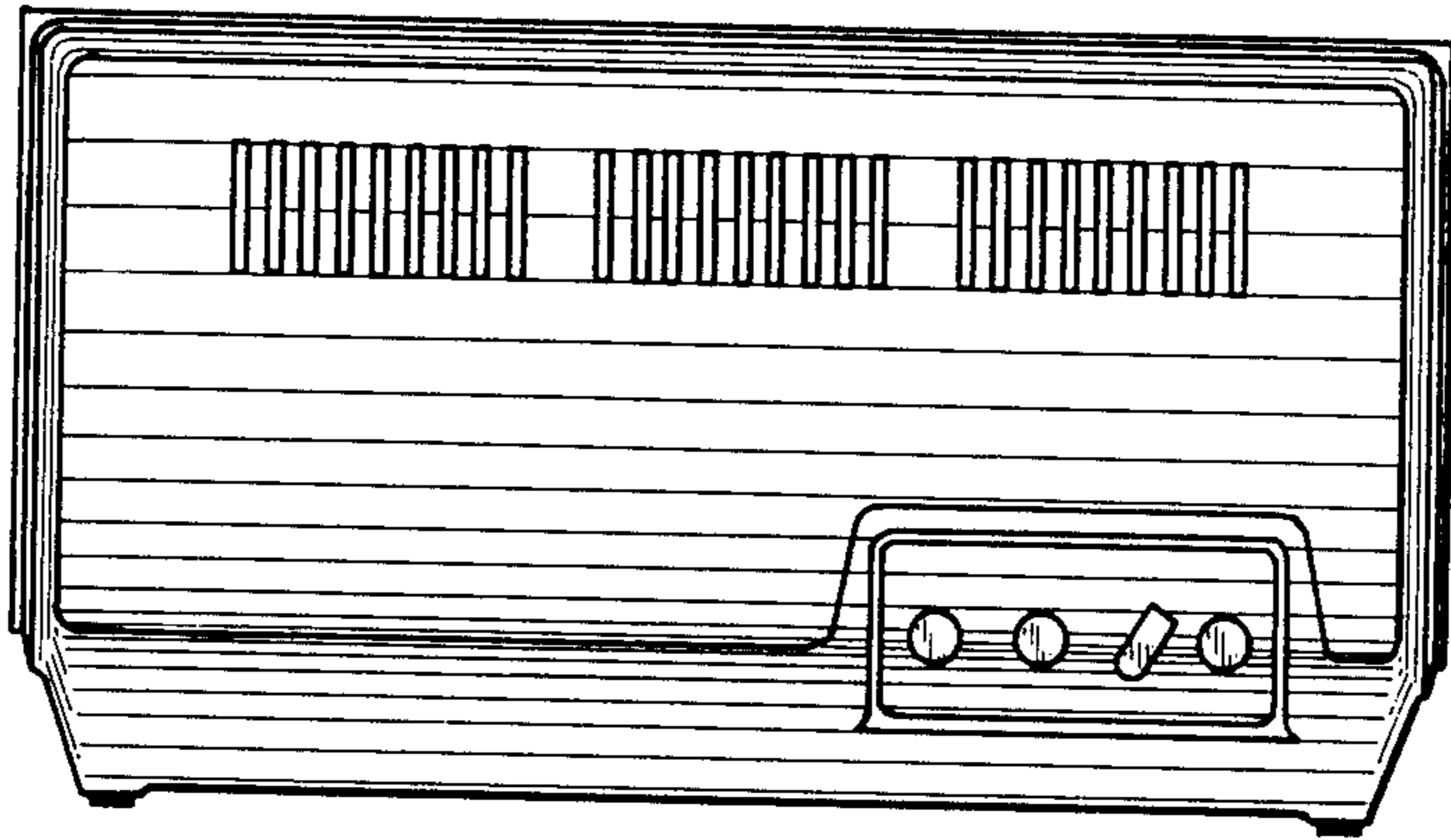


FIG.—6

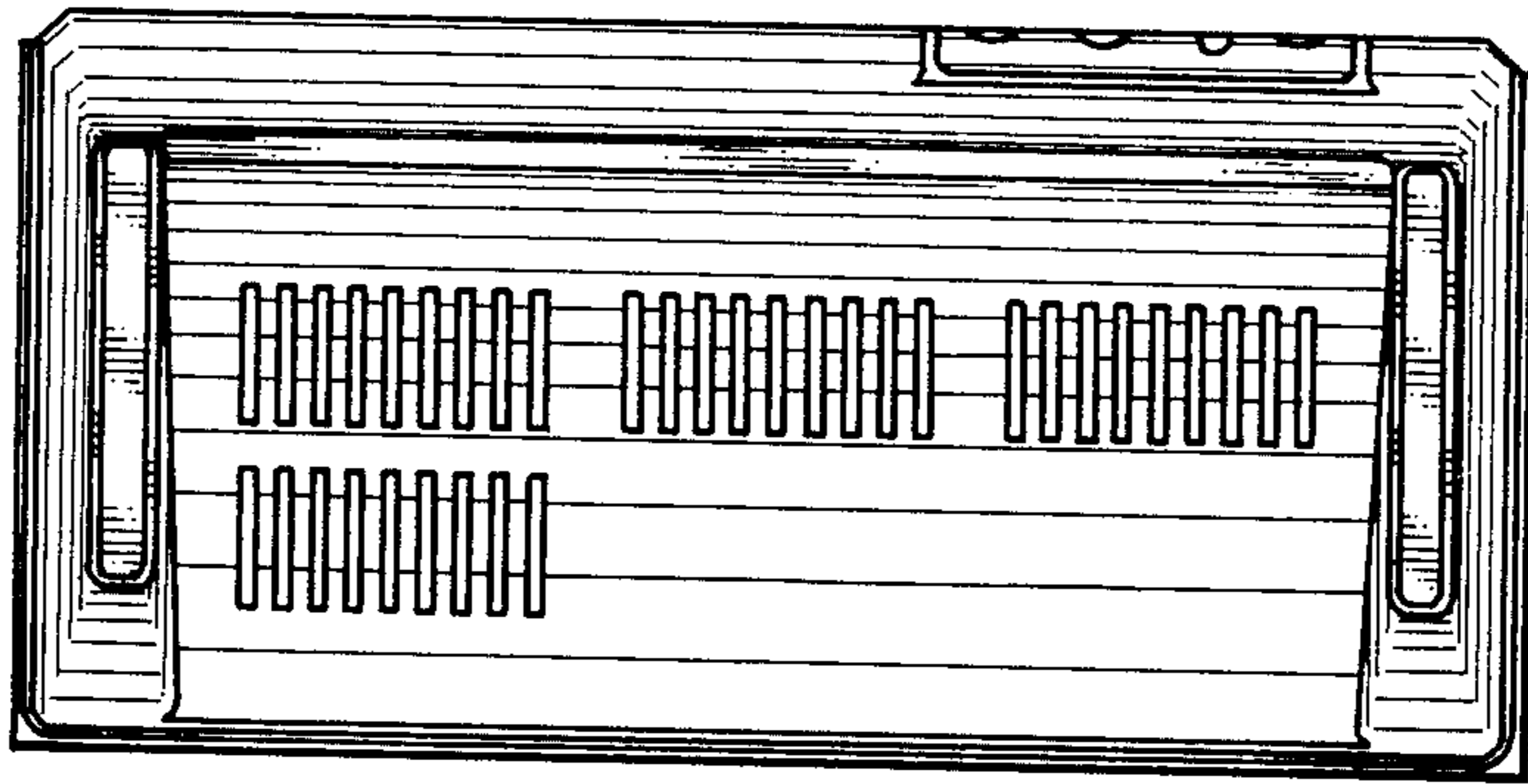


FIG.—7