

[54] TAPE CASSETTE

[75] Inventor: Yoshio Kishi, Tokyo, Japan

[73] Assignee: Sony Corporation, Tokyo, Japan

[**] Term: 14 Years

[21] Appl. No.: 699,798

[22] Filed: June 25, 1976

[30] Foreign Application Priority Data

Dec. 27, 1975 Japan 50-51654

[51] Int. Cl. D14-99

[52] U.S. Cl. D14/11

[58] Field of Search D14/11; 206/307, 316, 206/387, 444; 220/1 A; 360/93-96, 132-134; 242/197-200, 68, 71; 274/11

[56] References Cited

U.S. PATENT DOCUMENTS

D. 222,911 2/1972 Weiss et al. D26/14 B
3,622,102 11/1971 Fox 242/199

Primary Examiner—Wallace R. Burke
Assistant Examiner—Catherine Kemper
Attorney, Agent, or Firm—Lewis H. Eslinger

[57] CLAIM

The ornamental design for a tape cassette, as shown.

DESCRIPTION

FIG. 1 is a front elevational view of a tape cassette, showing my new design;

FIG. 2 is a sectional view thereof, taken along line 2-2 of FIG. 1;

FIG. 3 is a rear elevational view thereof;

FIG. 4 is a top plan view thereof;

FIG. 5 is a left side elevational view thereof; and

FIG. 6 is a top perspective view thereof.

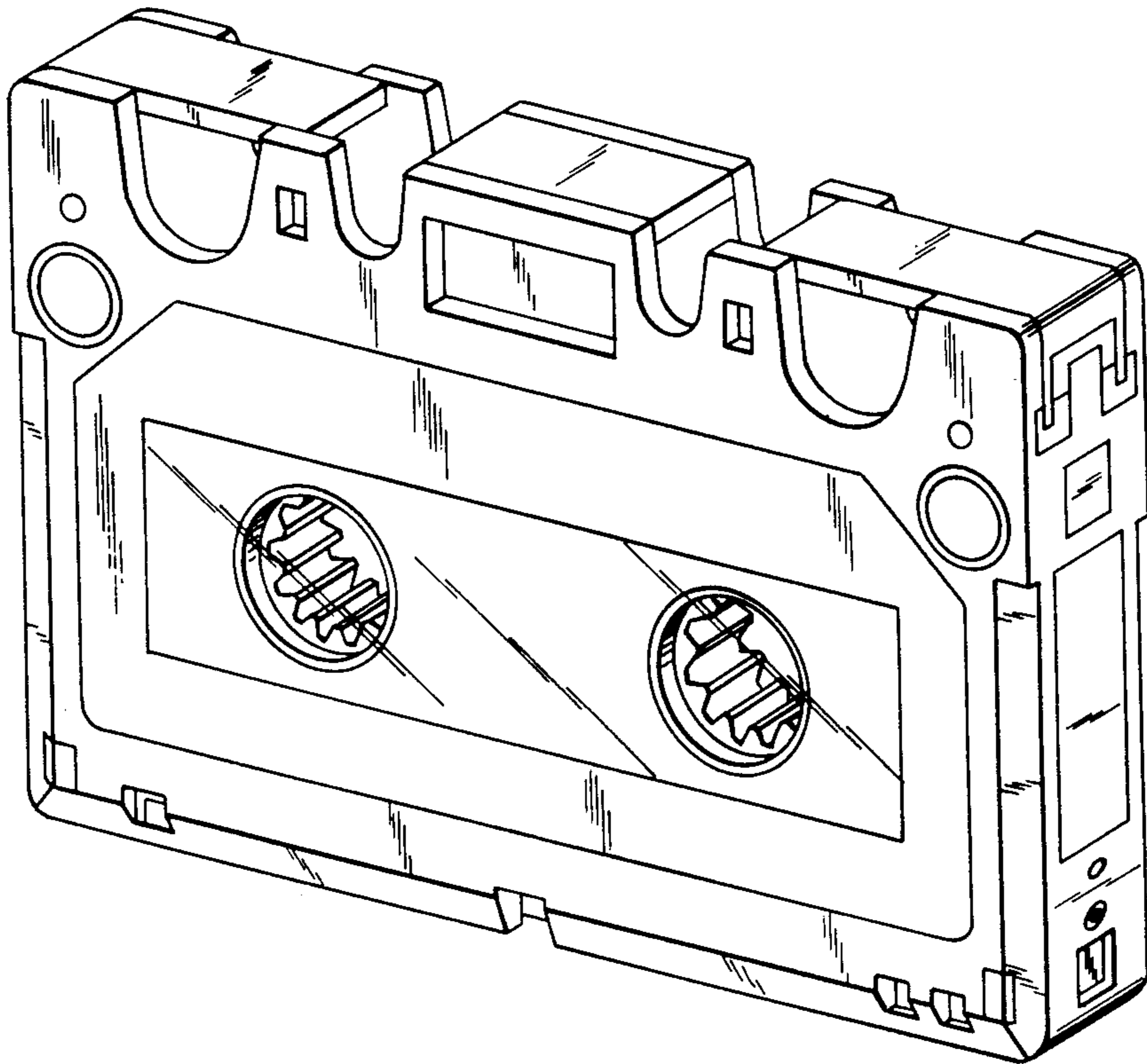


FIG. 1

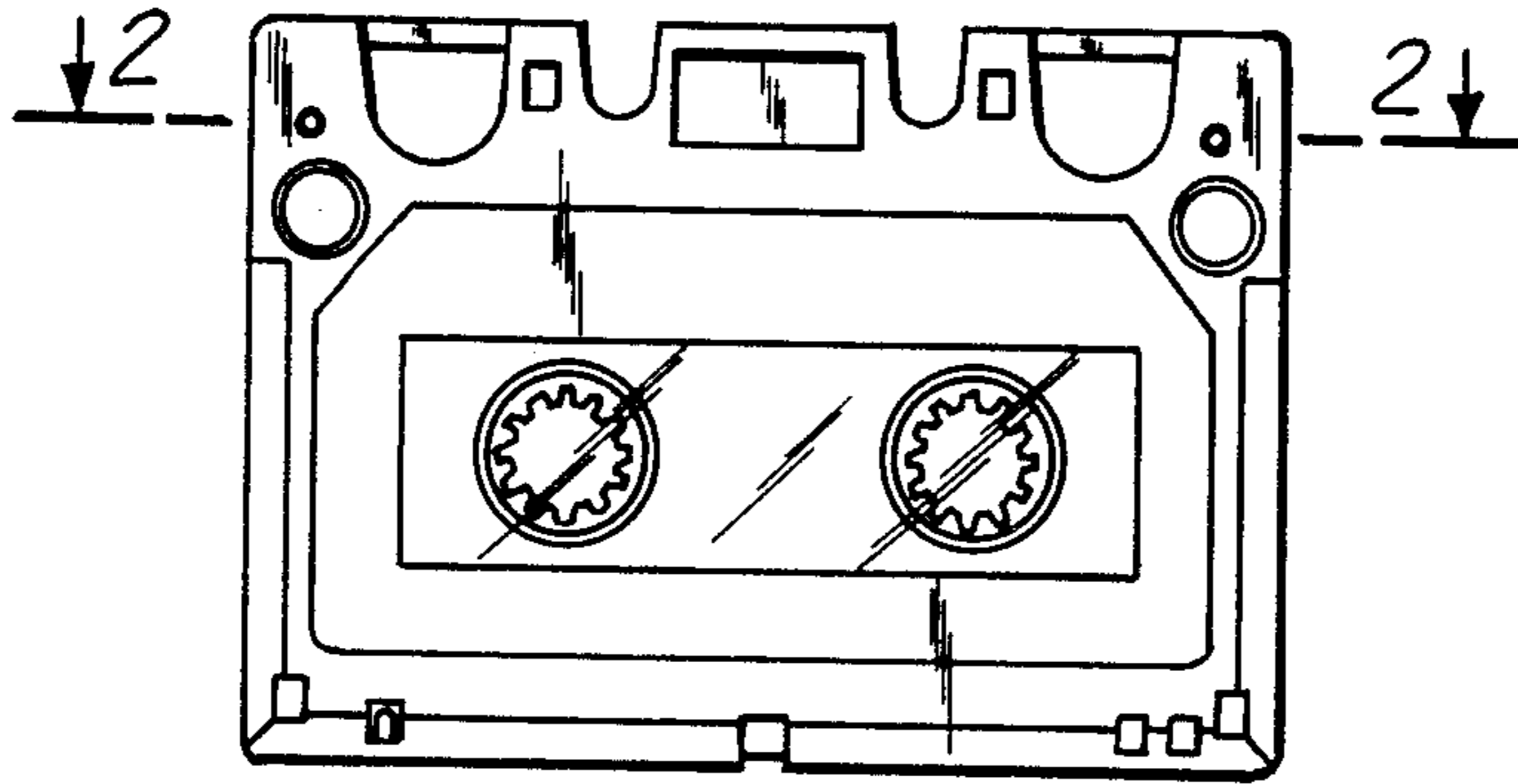


FIG. 2



FIG. 3

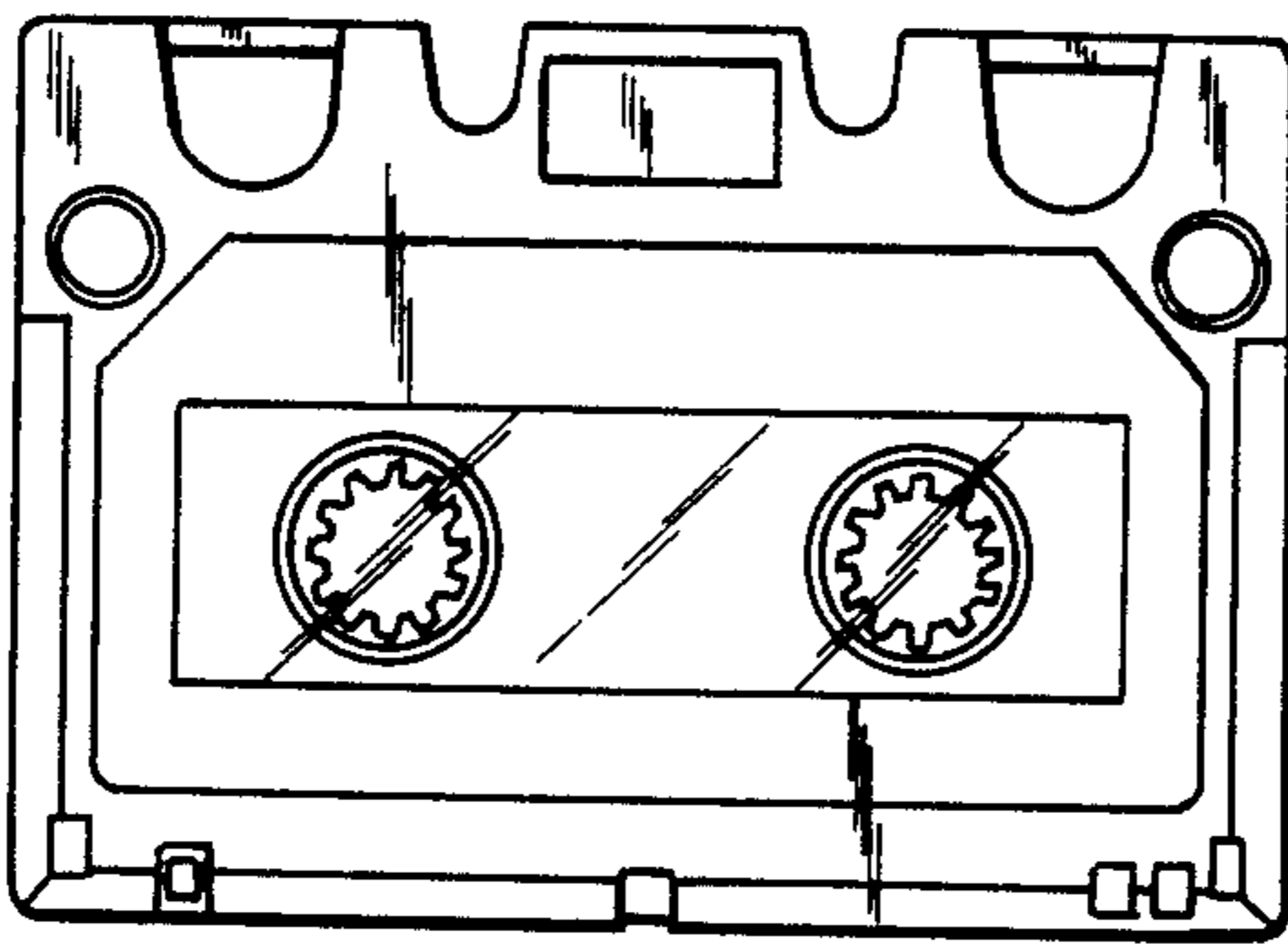


FIG. 5



FIG. 4



FIG. 6

