

[54] TAPE CASSETTE

[75] Inventor: Yoshio Kishi, Tokyo, Japan

[73] Assignee: Sony Corporation, Tokyo, Japan

[**] Term: 14 Years

[21] Appl. No.: 699,796

[22] Filed: June 25, 1976

[30] Foreign Application Priority Data

Dec. 27, 1975 Japan 50-51653

[51] Int. Cl. D14-99

[52] U.S. Cl. D14/11

[58] Field of Search 206/307, 316, 387, 444;
220/1 A; 360/93-96, 132-134; 242/197-200,
68, 71-77; 274/11; D14/11

[56] References Cited

U.S. PATENT DOCUMENTS

D. 206,719	1/1967	Dietrich	D26/14 B
3,622,102	11/1971	Fox	242/199
3,934,842	1/1976	Posso	242/199

Primary Examiner—Wallace R. Burke
Assistant Examiner—Catherine Kemper
Attorney, Agent, or Firm—Lewis H. Eslinger

[57] CLAIM

The ornamental design for a tape cassette, as shown.

DESCRIPTION

FIG. 1 is a front elevational view of a tape cassette, showing my new design;
FIG. 2 is a sectional view thereof, taken along line 2—2 of FIG. 1;
FIG. 3 is a rear elevational view thereof;
FIG. 4 is a top plan view thereof;
FIG. 5 is a left side elevational view thereof;
FIG. 6 is a top perspective view thereof; and
FIG. 7 is a bottom plan view thereof.

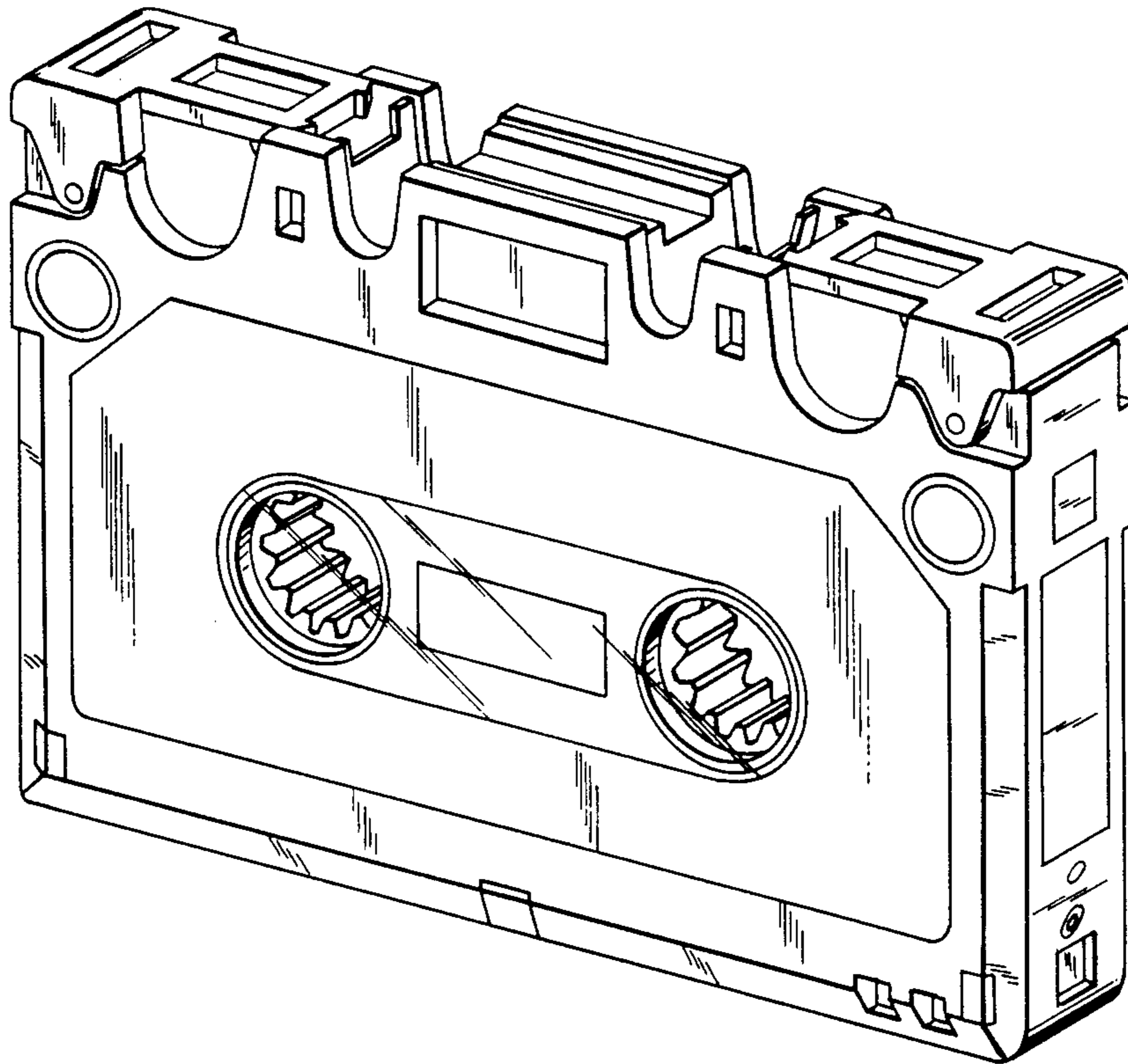


FIG. 1

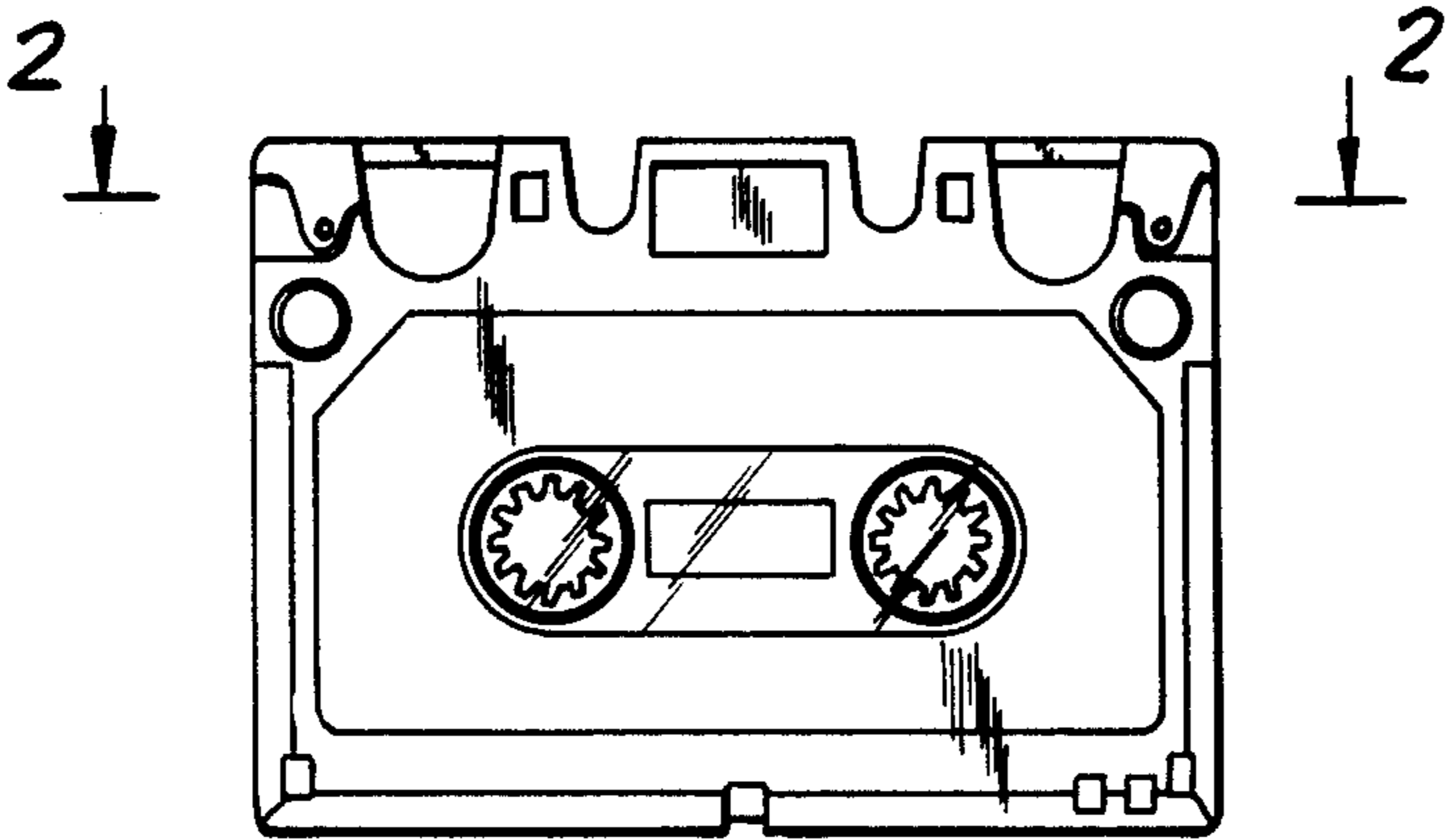


FIG. 2



FIG. 3

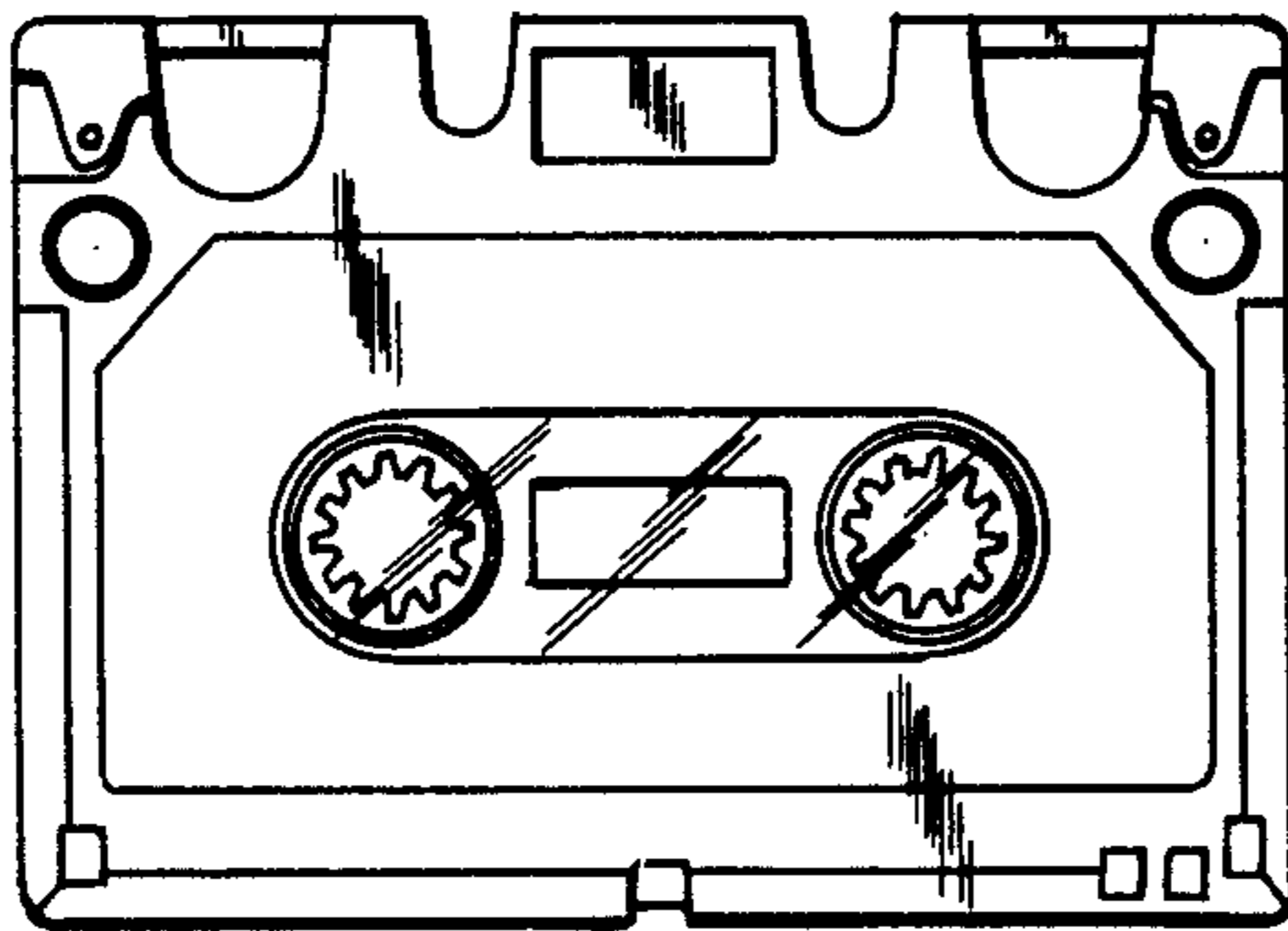


FIG. 5



FIG. 4

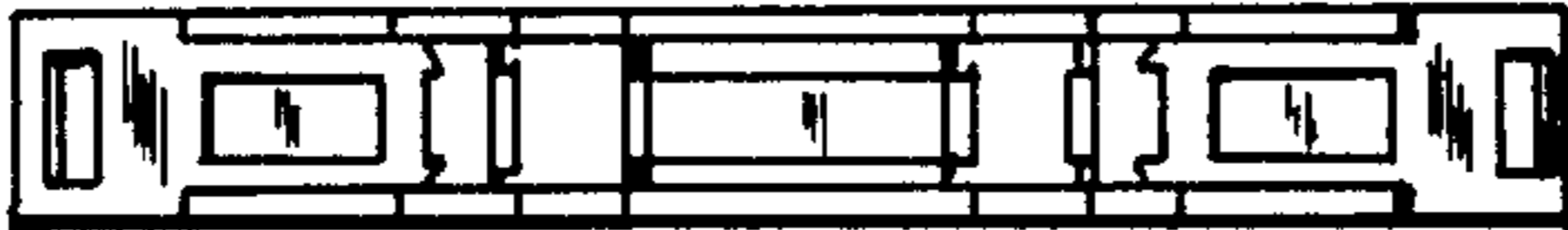


FIG. 6

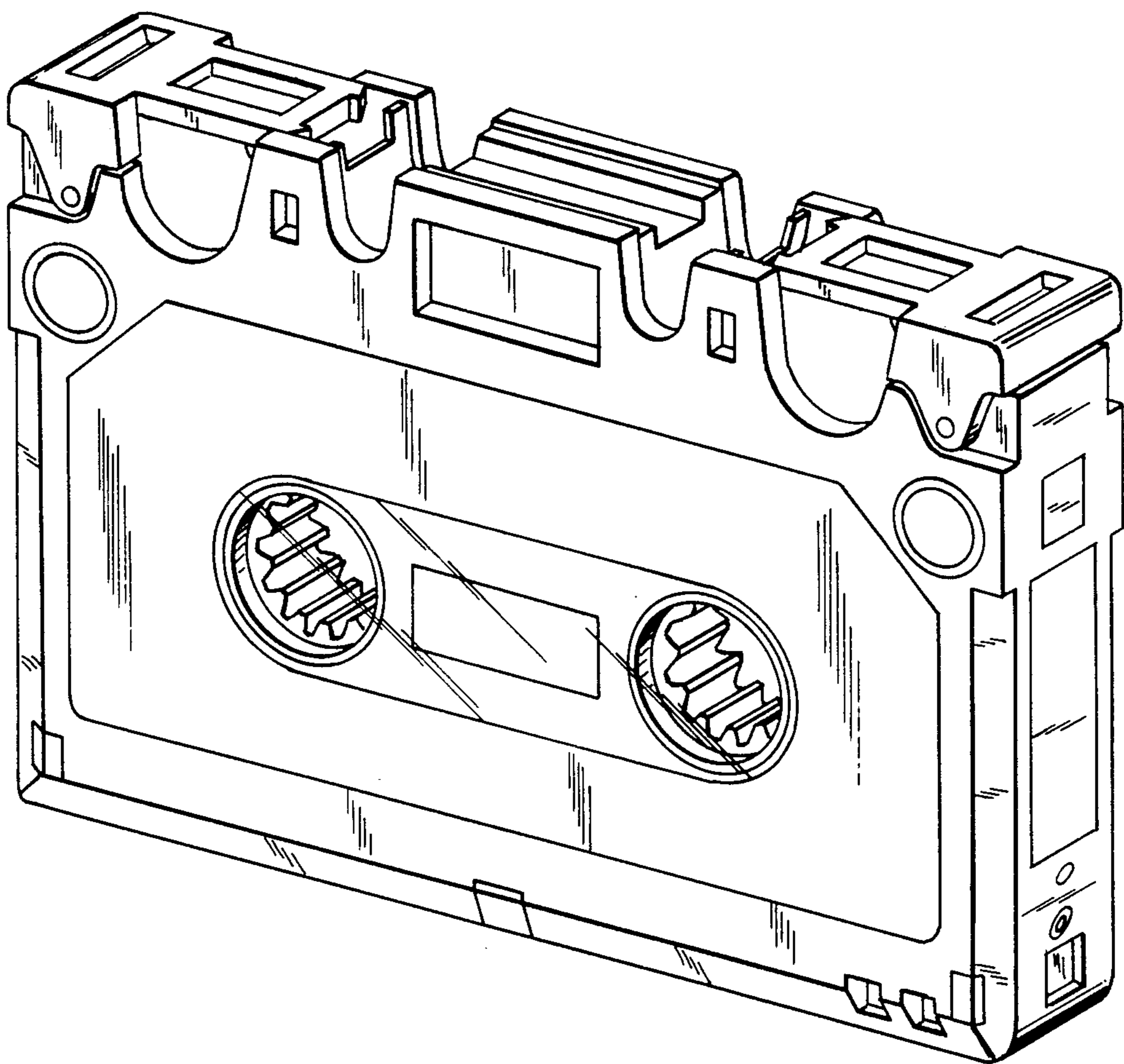


FIG. 7

