

[54] CASSETTE RECORDER HOUSING

3,978,524 8/1976 Gordon 360/137

[76] Inventors: William Gergely, Jr., 108 Twinbrook Terrace, Monroe, Conn. 06468; Okun Kwan, 41 Inca Drive, Trumbull, Conn. 06011

[**] Term: 14 Years

[21] Appl. No.: 700,590

[22] Filed: June 28, 1976

[51] Int. Cl. D14-01

[52] U.S. Cl. D14/6

[58] Field of Search D26/14 B; 360/137, 96; D56/4 B; D14/6; 14/10

[56] References Cited

U.S. PATENT DOCUMENTS

3,477,725 11/1969 Housman D26/14 B
3,899,795 8/1975 Watanabe 360/137

OTHER PUBLICATIONS

Lafayette Electronics, Cat. No. 750, © 1974, p. 61, Tape Recorder, item TRK-127.
Allied Electronics © 1970, © 1969, p. 501, Utility Cabinet middle right of page.

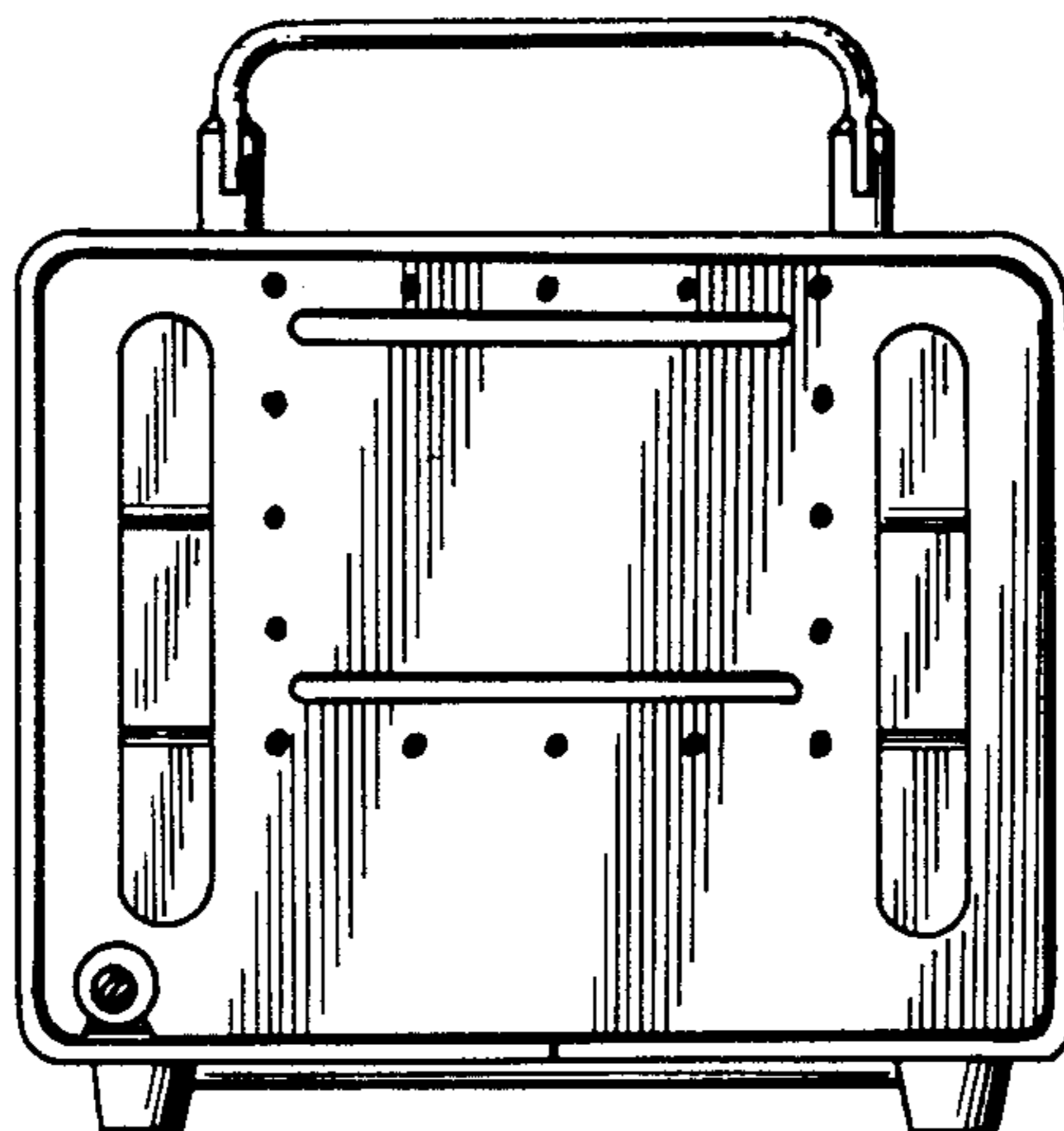
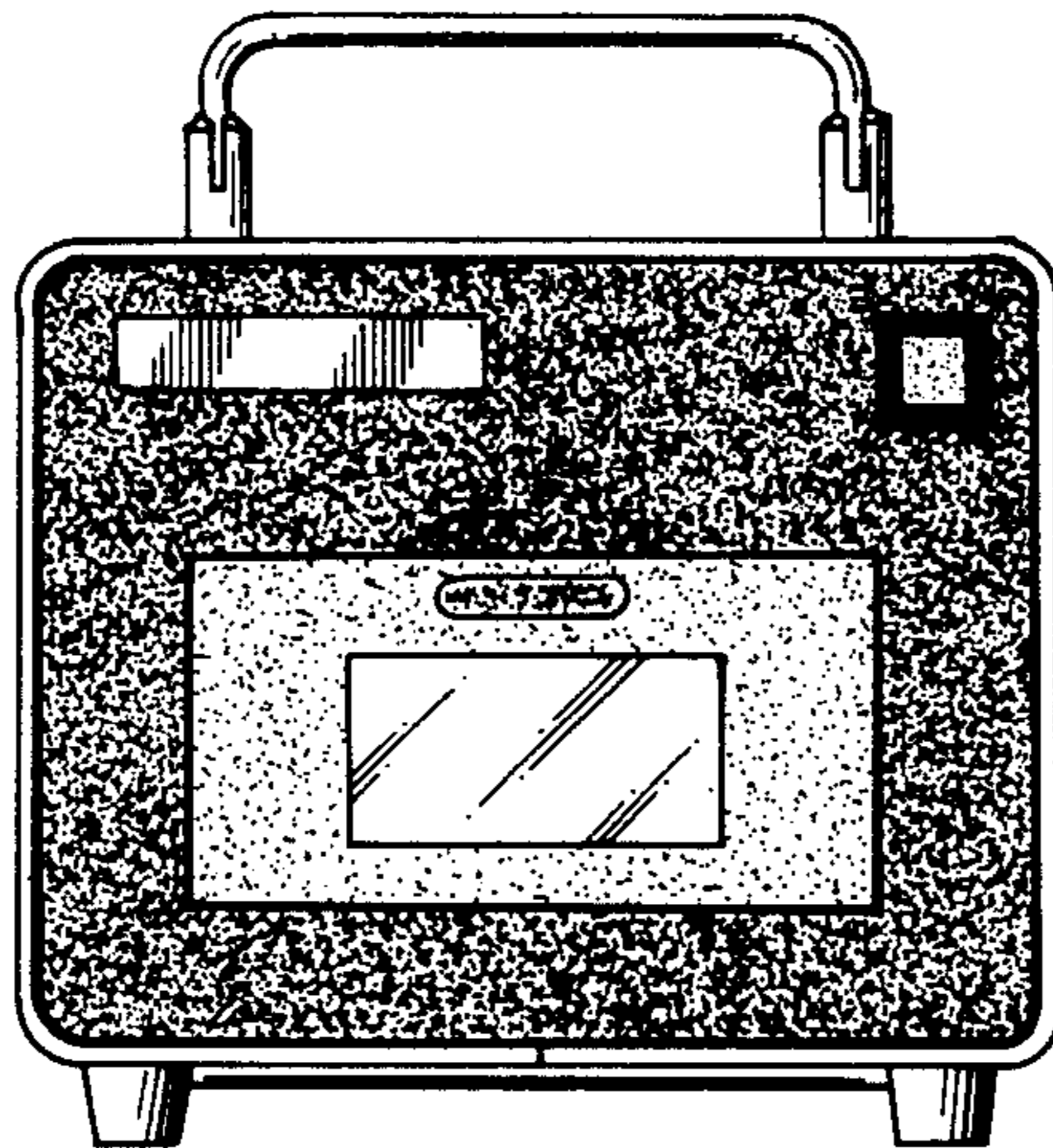
Primary Examiner—Bernard Ansher
Attorney, Agent, or Firm—Frederick M. Arbuckle

[57] CLAIM

The ornamental design for a cassette recorder housing, as shown.

DESCRIPTION

FIG. 1 is a front elevation of a cassette recorder housing showing our new design; FIG. 2 is a side elevation thereof; FIG. 3 is a rear elevation thereof; and FIG. 4 is a bottom plan view thereof.



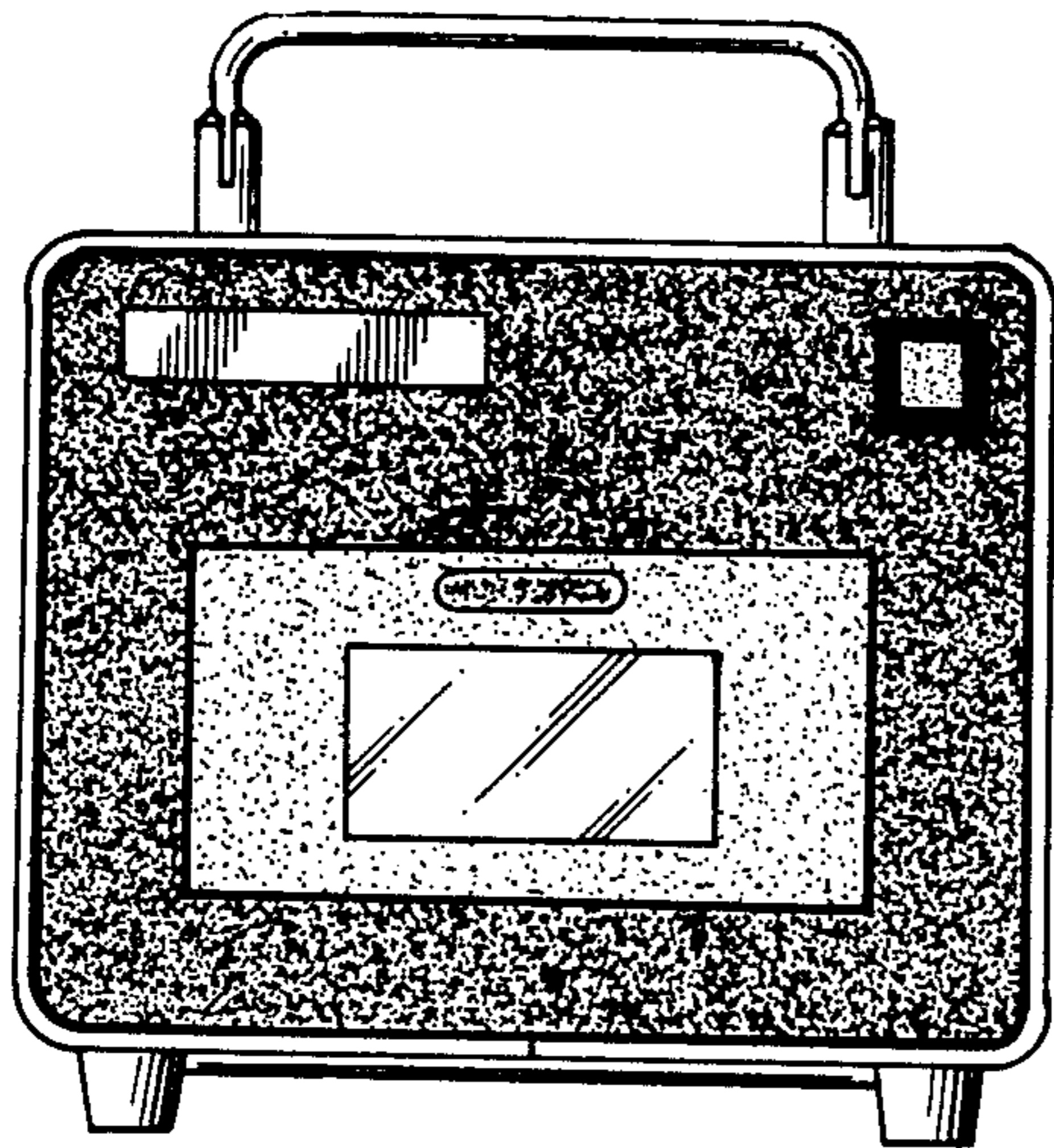


FIG. 1

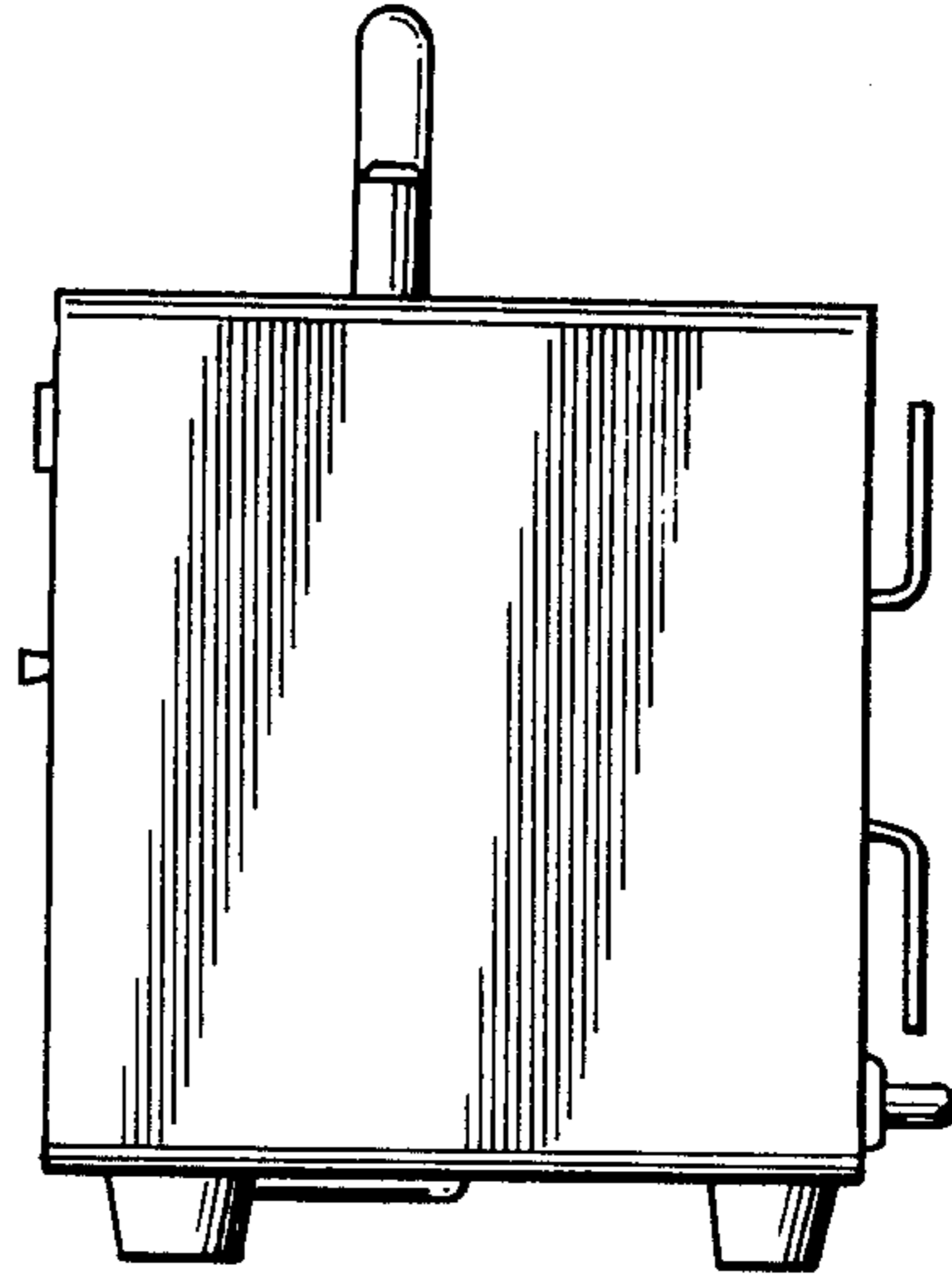


FIG. 2

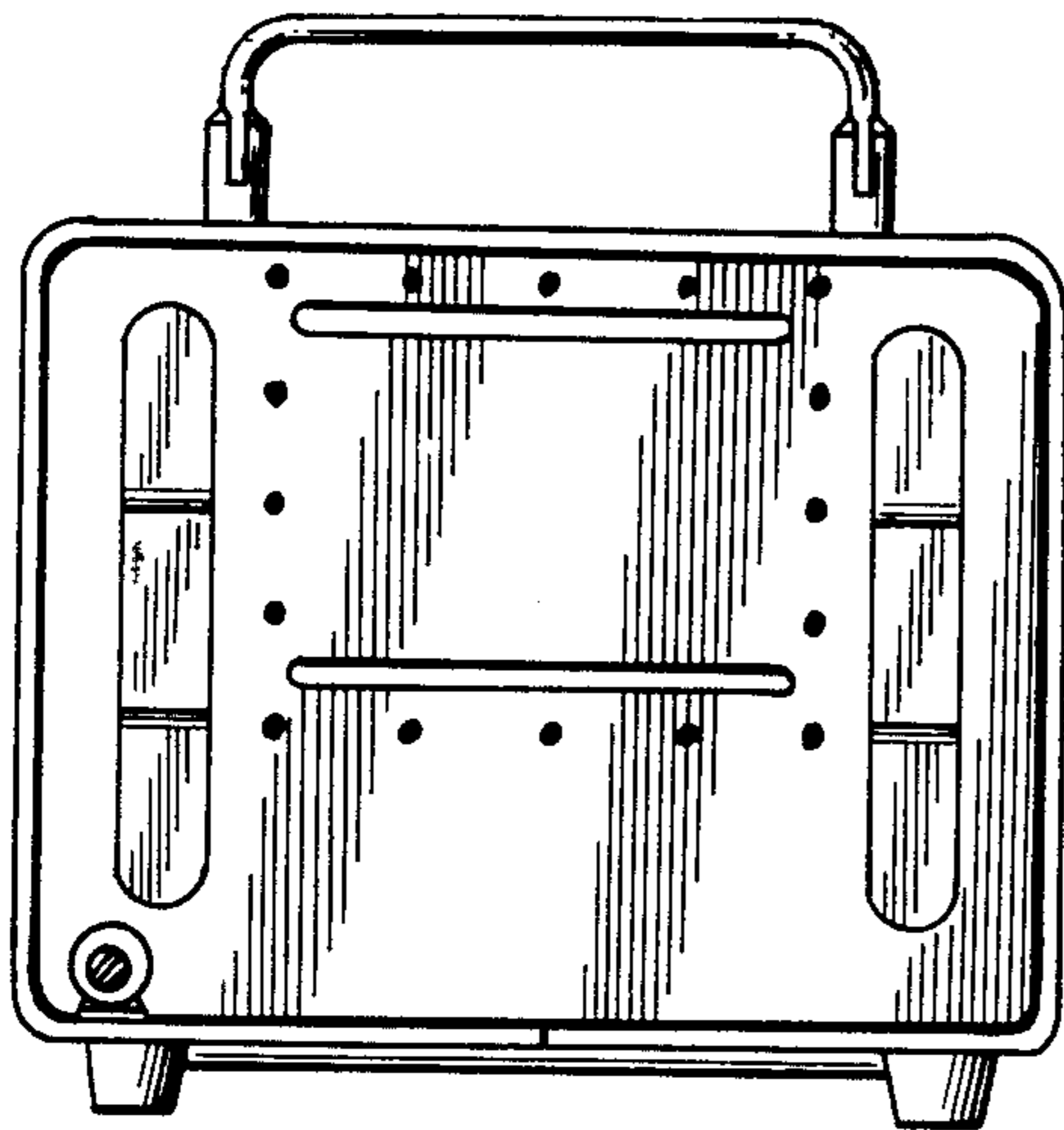


FIG. 3

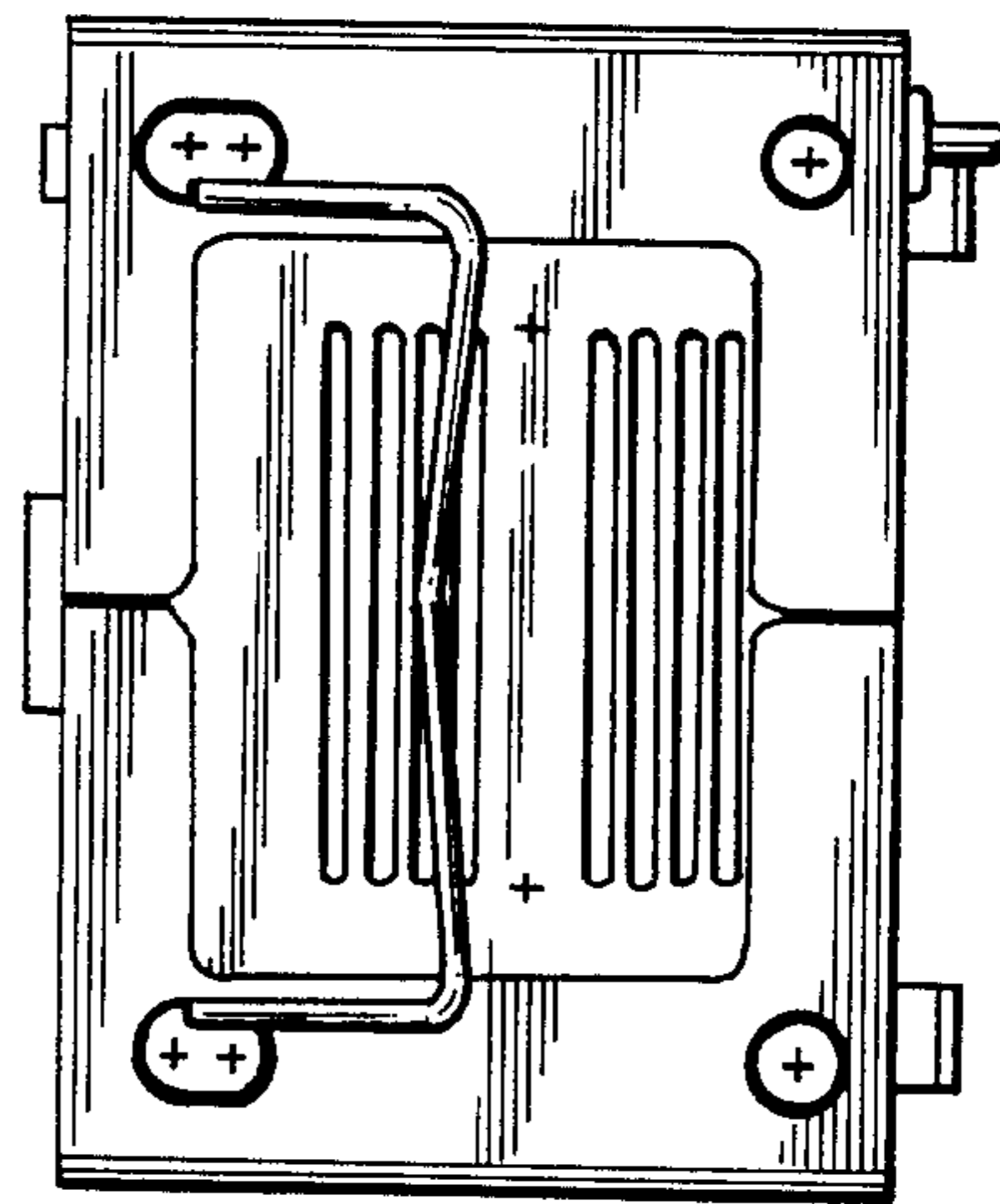


FIG. 4