

[54] PROTECTIVE PARTITION FOR PUBLIC TRANSPORTATION VEHICLES

[76] Inventor: Dan Lee Davis, 21400 W. 7 Mile, Apt. 214, Detroit, Mich. 48219

[**] Term: 14 Years

[21] Appl. No.: 664,144

[22] Filed: Mar. 5, 1976

[51] Int. Cl. D12-16

[52] U.S. Cl. D12/195

[58] Field of Search D12/195, 155; 296/24 R, 296/85; D25/58; 52/238, 239

[56] References Cited

U.S. PATENT DOCUMENTS

- 1,611,248 12/1926 Smith et al. 296/24 R
- 3,547,217 12/1970 Garza 296/24 R

3,549,195 12/1970 Kallinikos 296/24 R

Primary Examiner—Wallace R. Burke
Assistant Examiner—James M. Gandy
Attorney, Agent, or Firm—D. Edward Dolgorukov

[57] CLAIM

The ornamental design for a protective partition for public transportation vehicles, as shown.

DESCRIPTION

FIG. 1 is a perspective view of a protective partition for public transportation vehicles showing my new design; FIG. 2 is a top plan view thereof; FIG. 3 is a rear elevational view thereof; FIG. 4 is a right side elevational view thereof; FIG. 5 is a bottom plan view thereof; FIG. 6 is a front elevational view thereof; FIG. 7 is a left side elevational view thereof; and FIG. 8 is a elevational view thereof taken along the line 8—8 in FIG. 2.

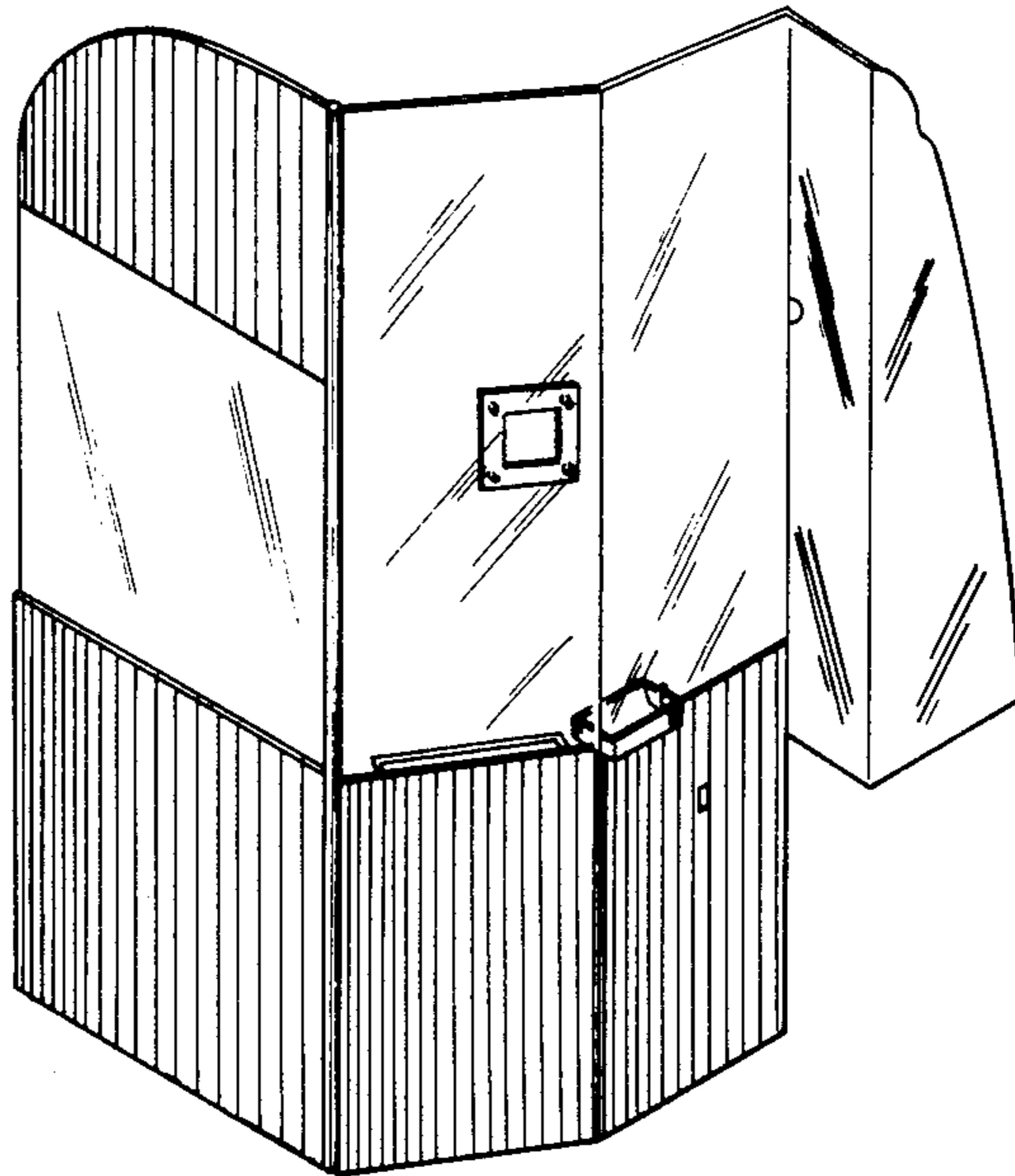


Fig-1

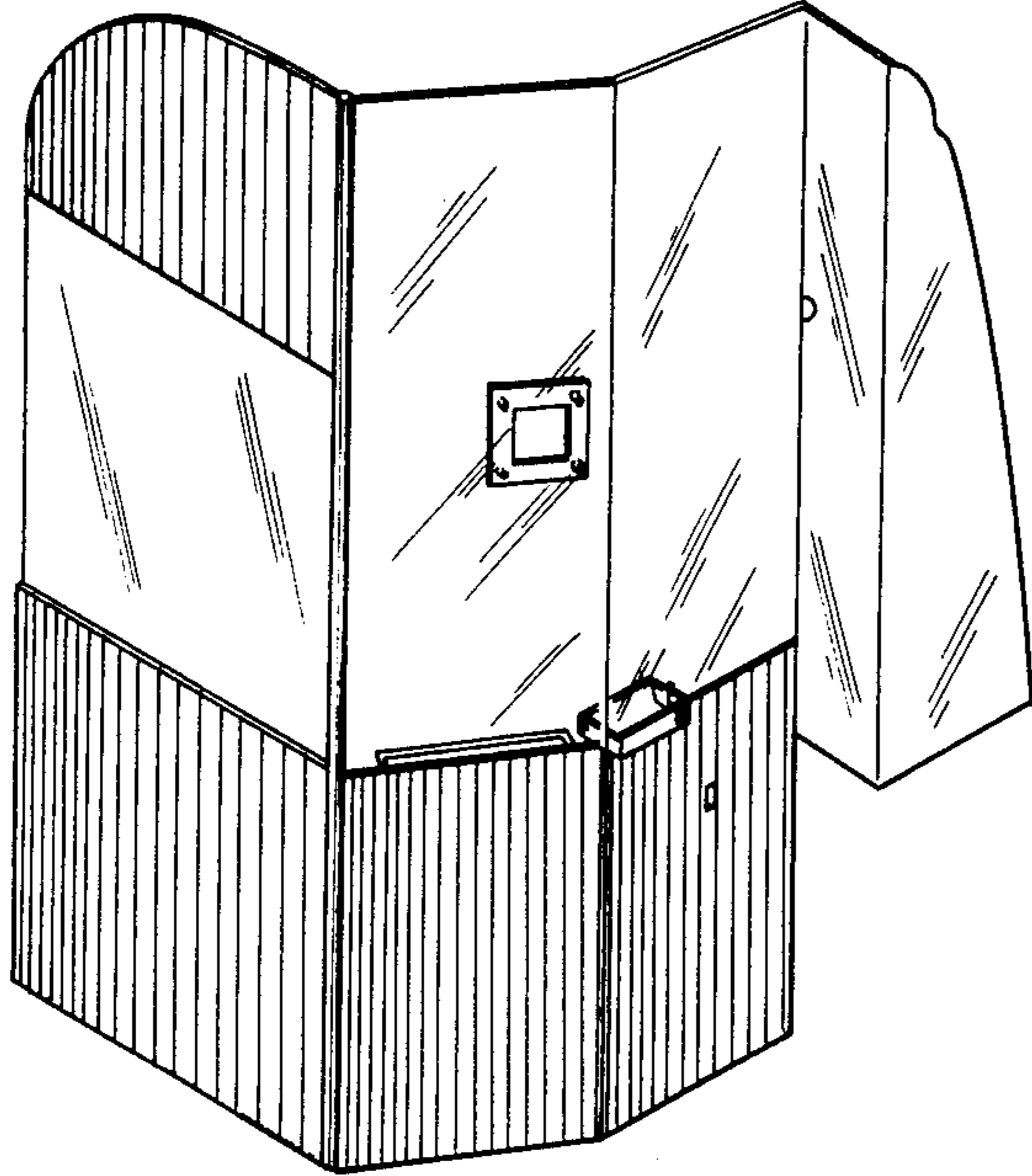


Fig-2

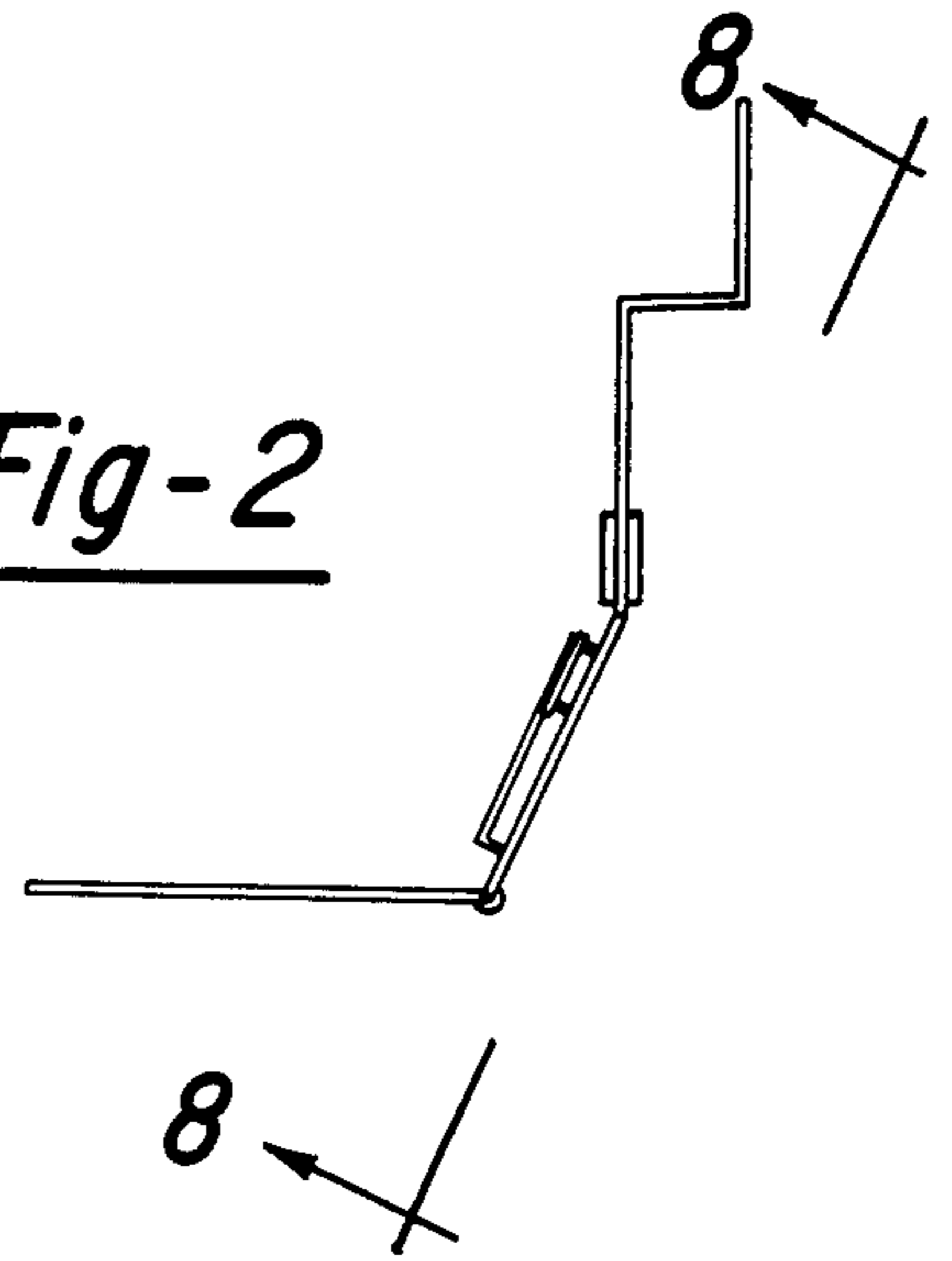


Fig-4

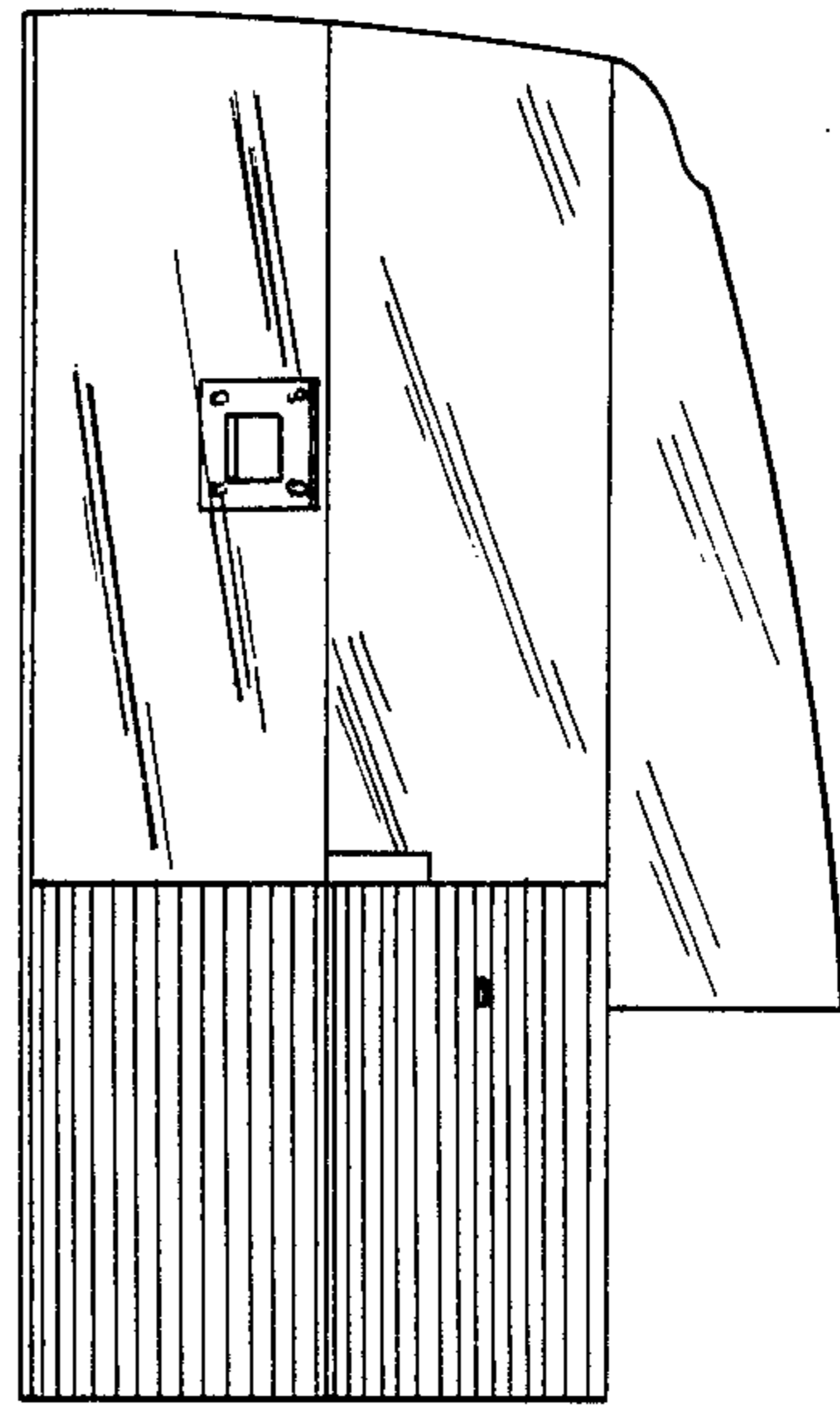


Fig-3

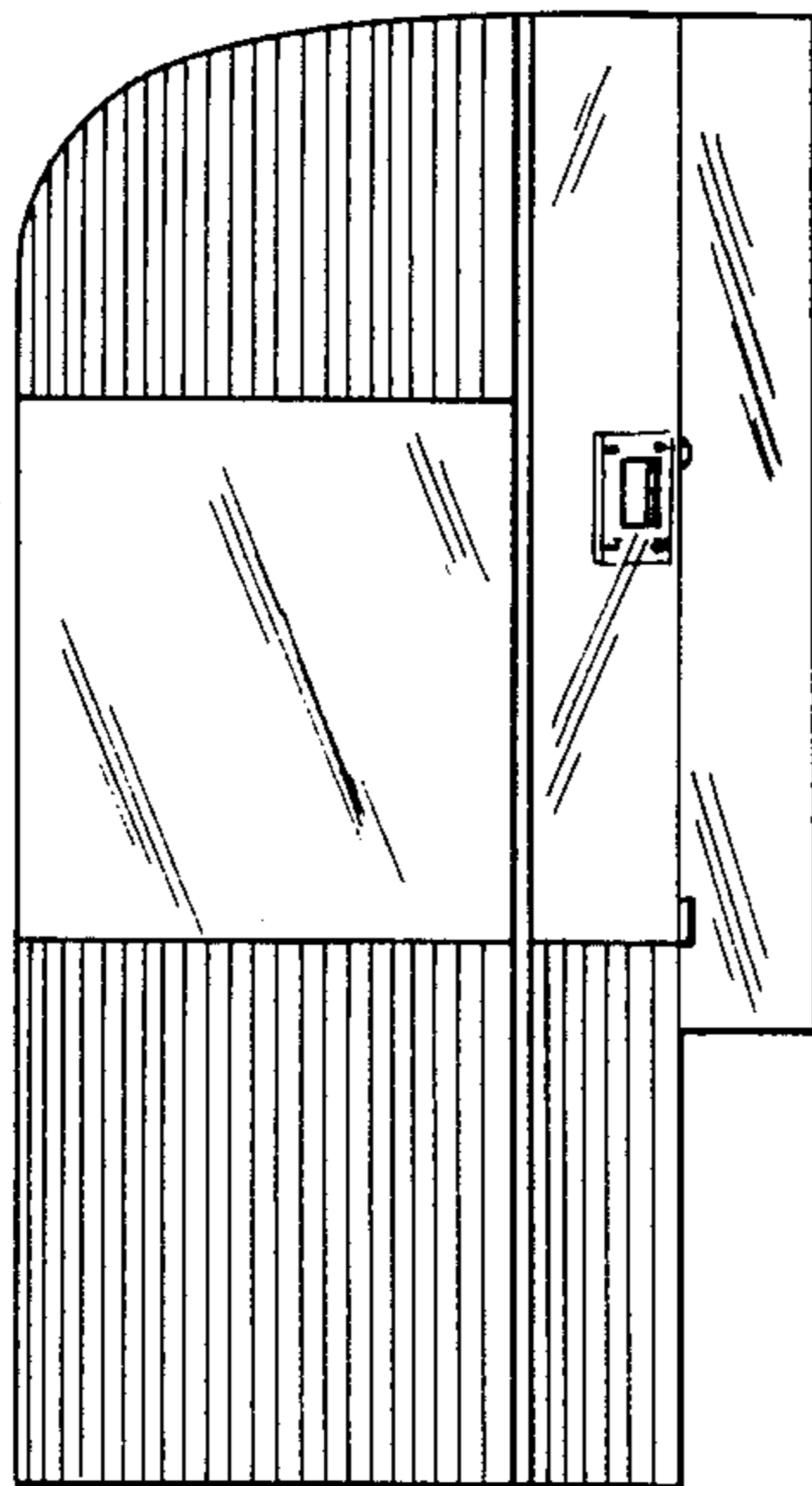
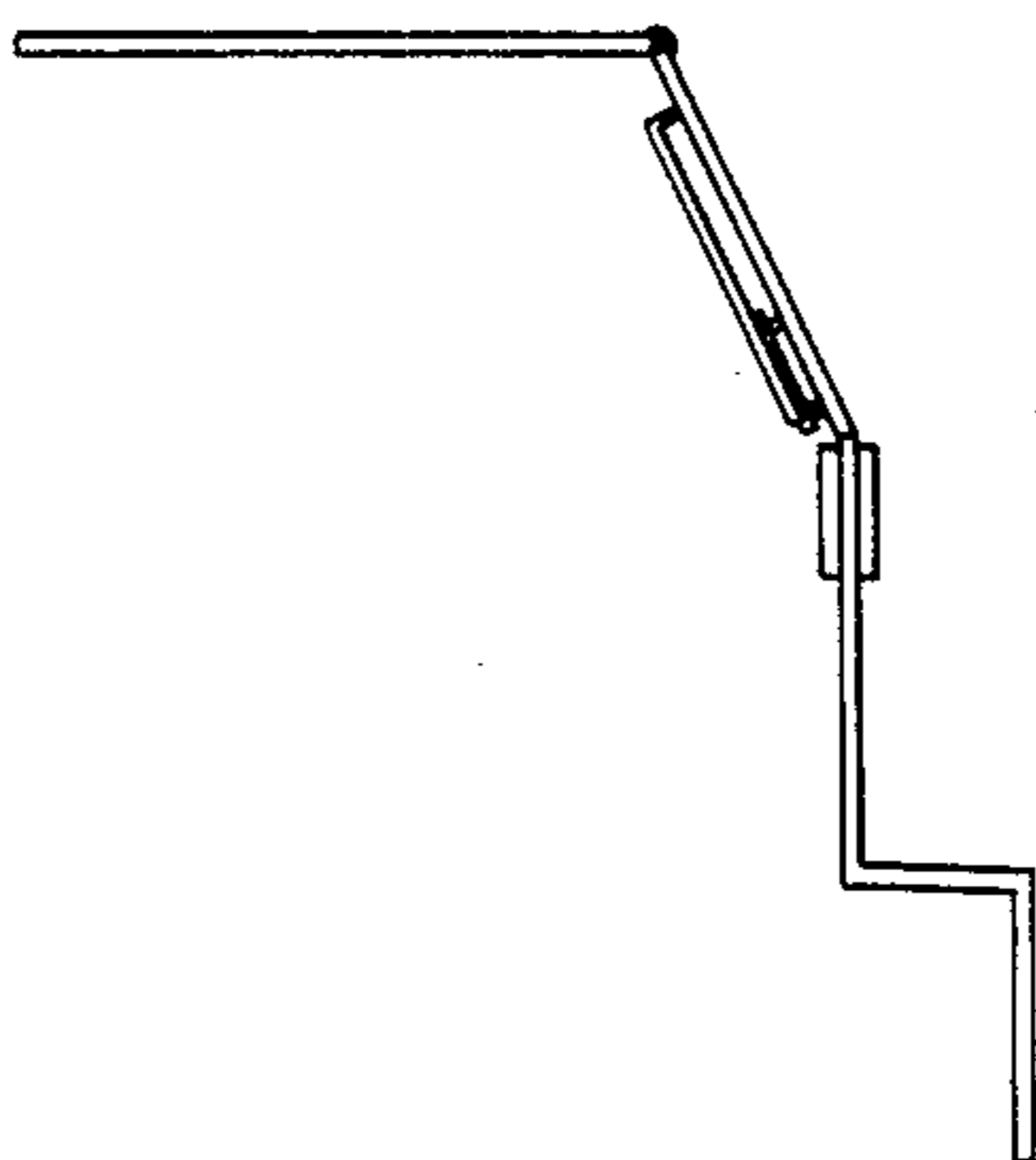


Fig-5



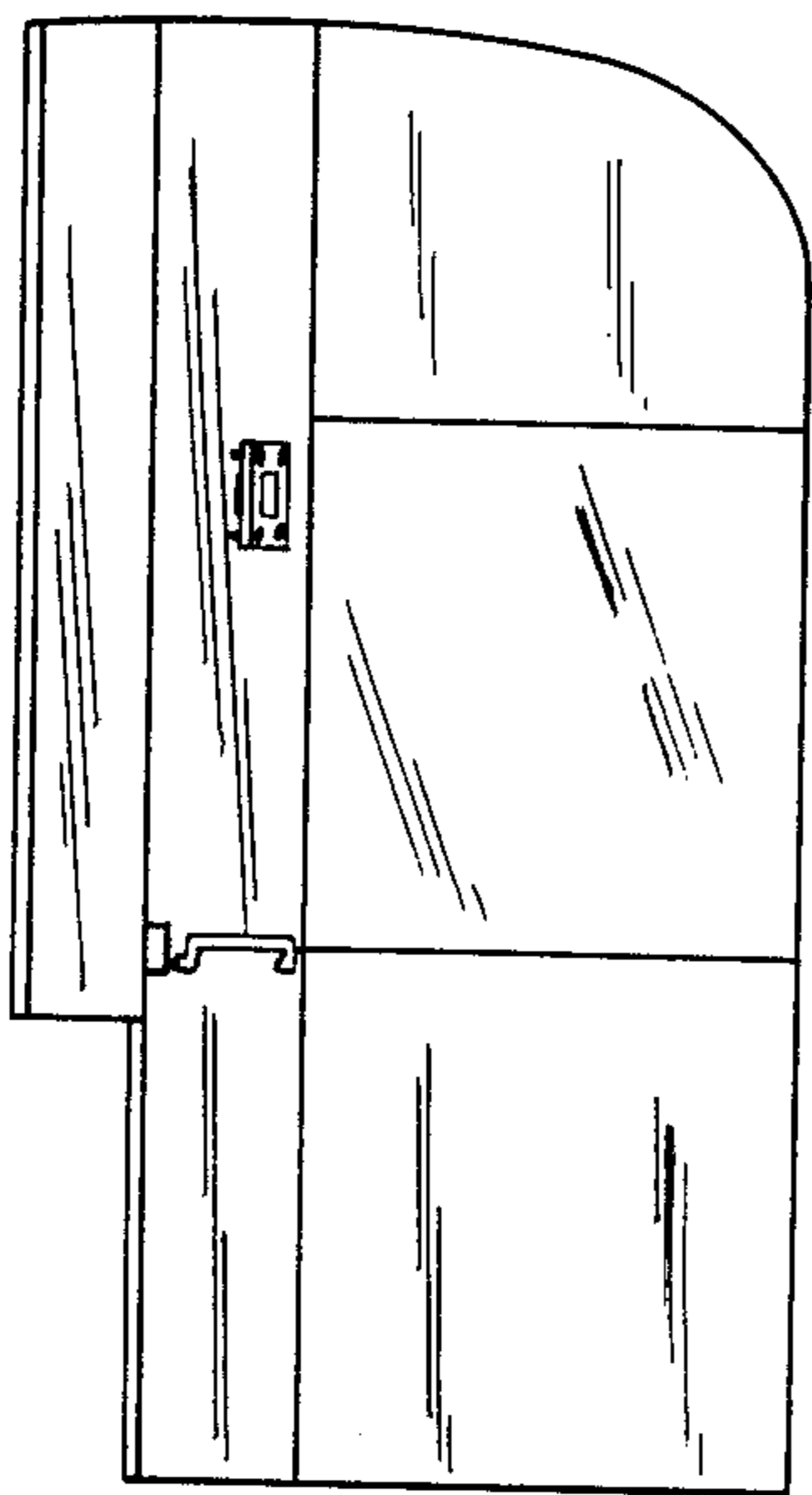


Fig-6

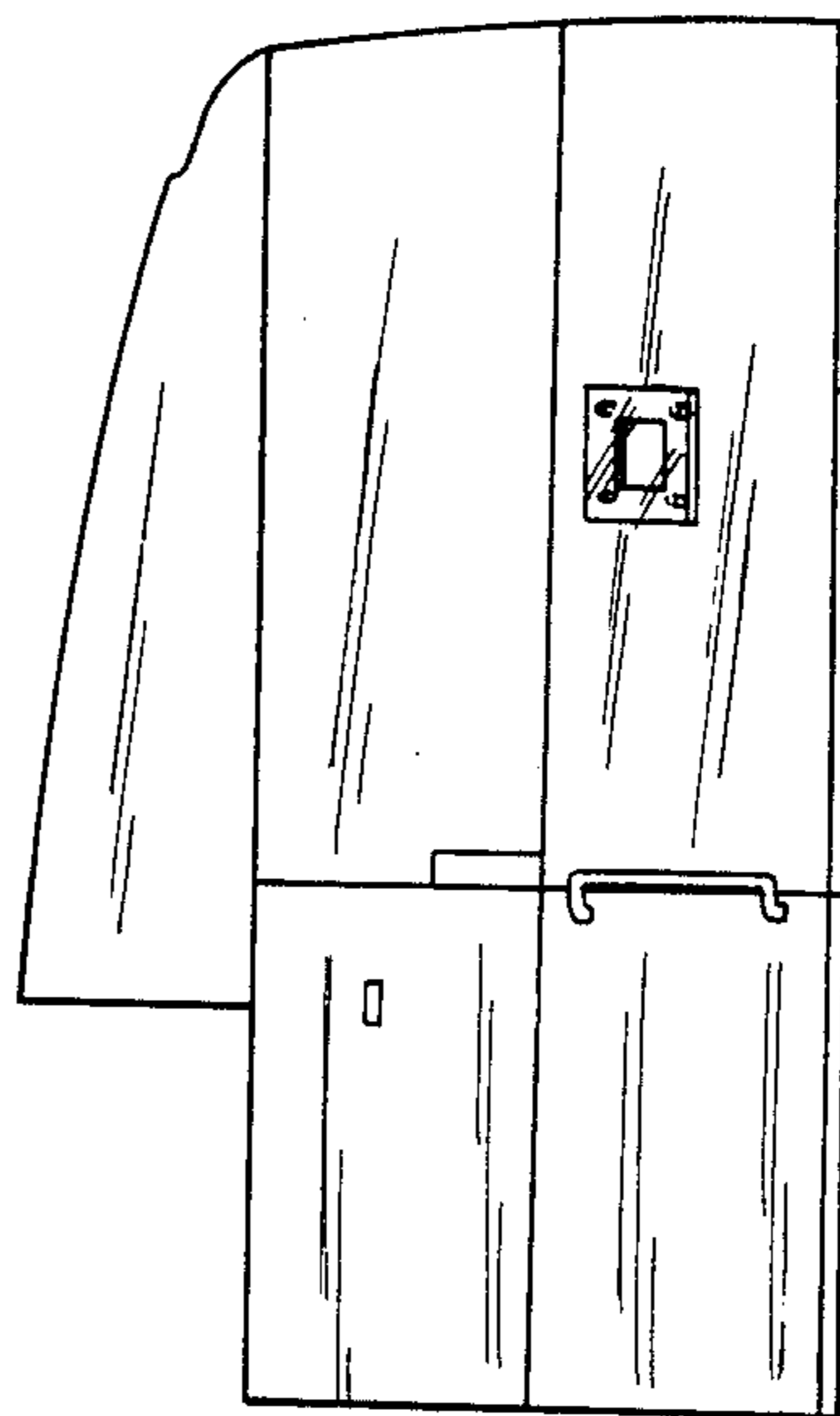


Fig-7

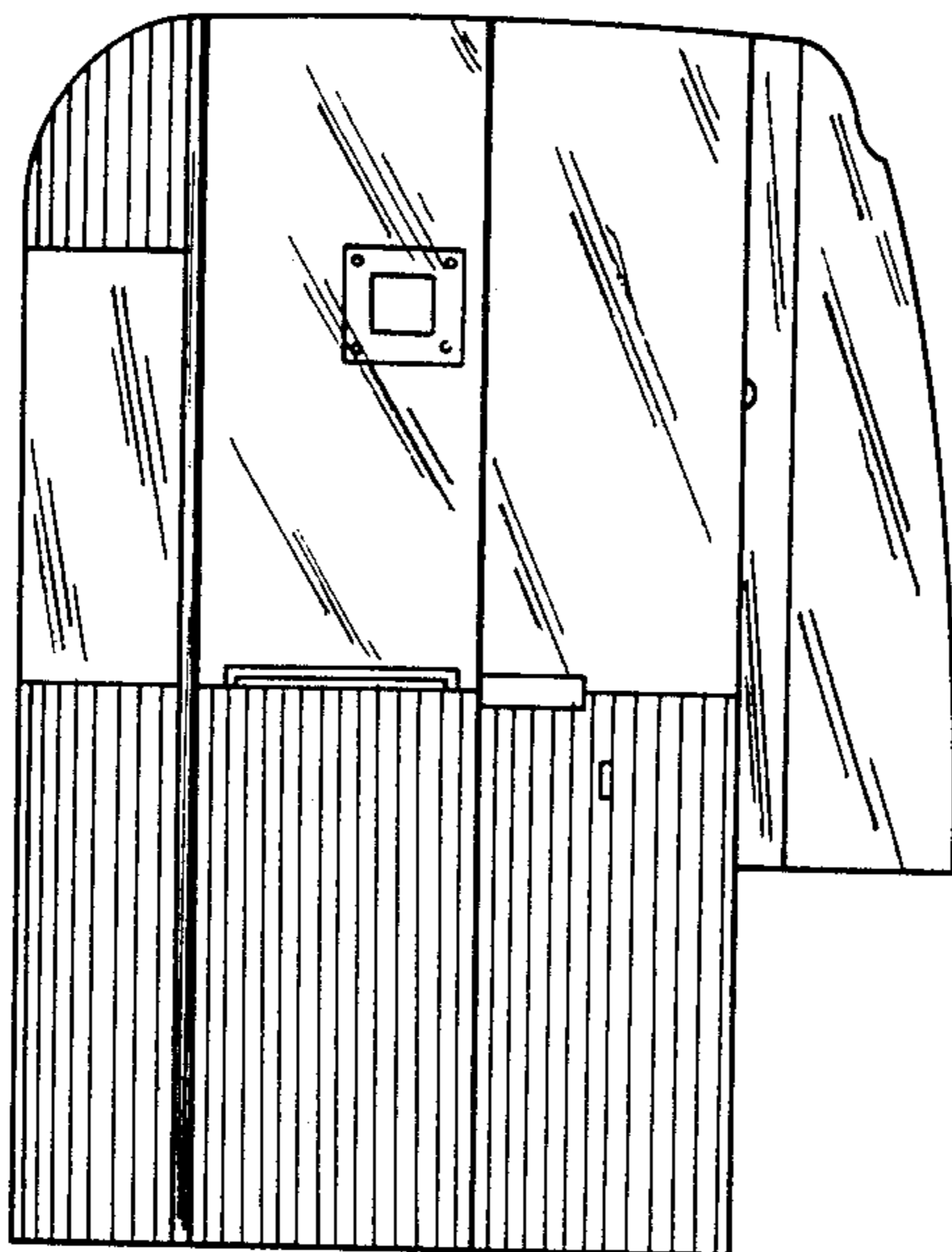


Fig-8