

[54] BOATS

[75] Inventors: Warwick M. Whitley, Austin, Tex.;
Arthur E. Carlson, Garden Grove,
Calif.

[73] Assignee: Conroy, Inc., San Antonio, Tex.

[**] Term: 14 Years

[21] Appl. No.: 678,644

[22] Filed: Apr. 20, 1976

[51] Int. Cl. D12-06
[52] U.S. Cl. D12/62
[58] Field of Search D12/62

[56] **References Cited**
PUBLICATIONS

Glastron, 1976 brochure, rec'd., Feb. 19, 1976, p. 3,
CVX-20, near center of page.

Primary Examiner—Alan P. Douglas
Attorney, Agent, or Firm—Gordon W. Daisley

[57] **CLAIM**

The ornamental design for a boat, as shown.

DESCRIPTION

FIG. 1 is a perspective view taken from above and from
the stern of a boat embodying the new design;
FIG. 2 is a rear elevation view of the boat;
FIG. 3 is a side elevation view of the boat; and
FIG. 4 is a front elevation view of the boat.

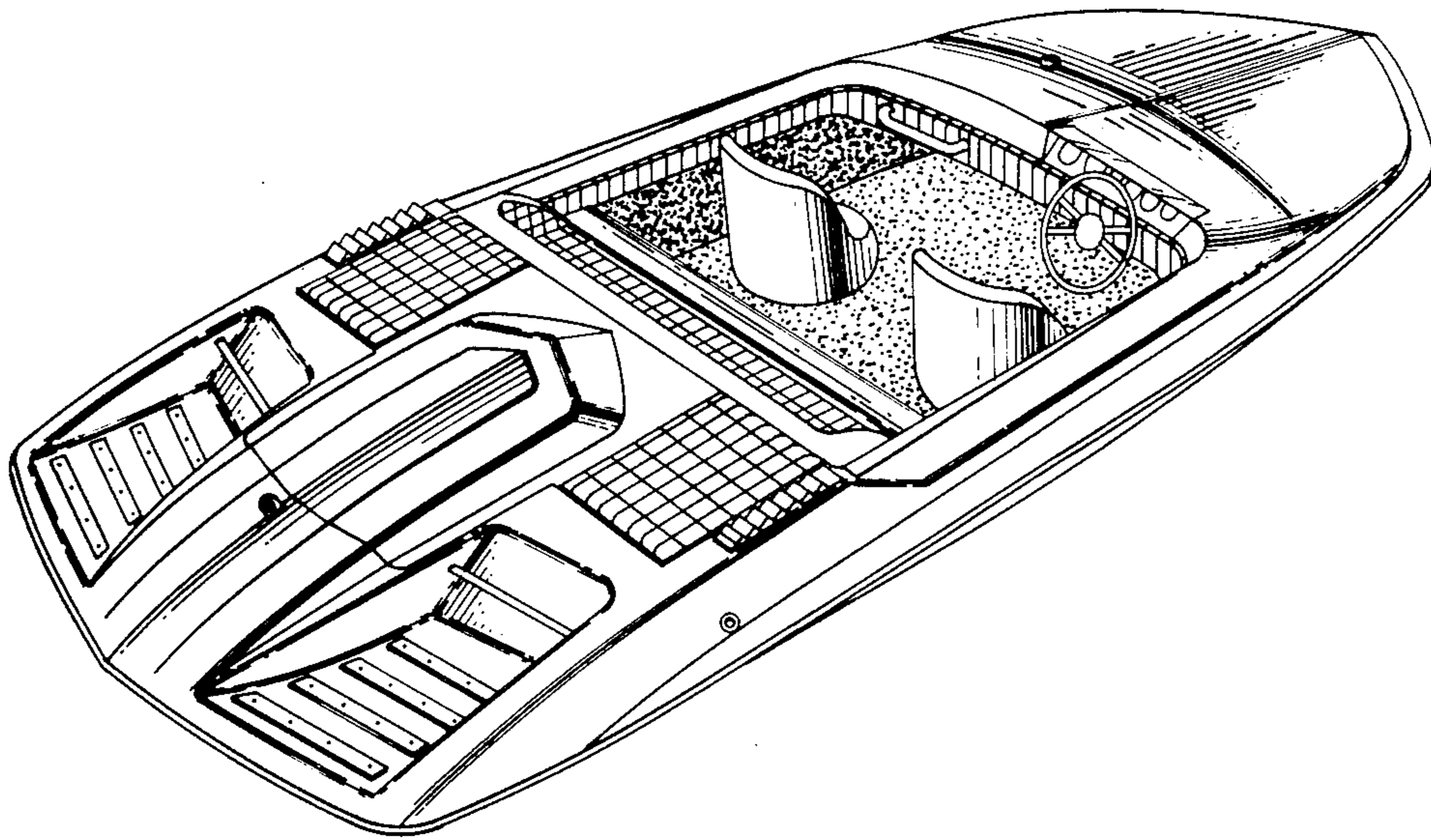


FIG. 1.

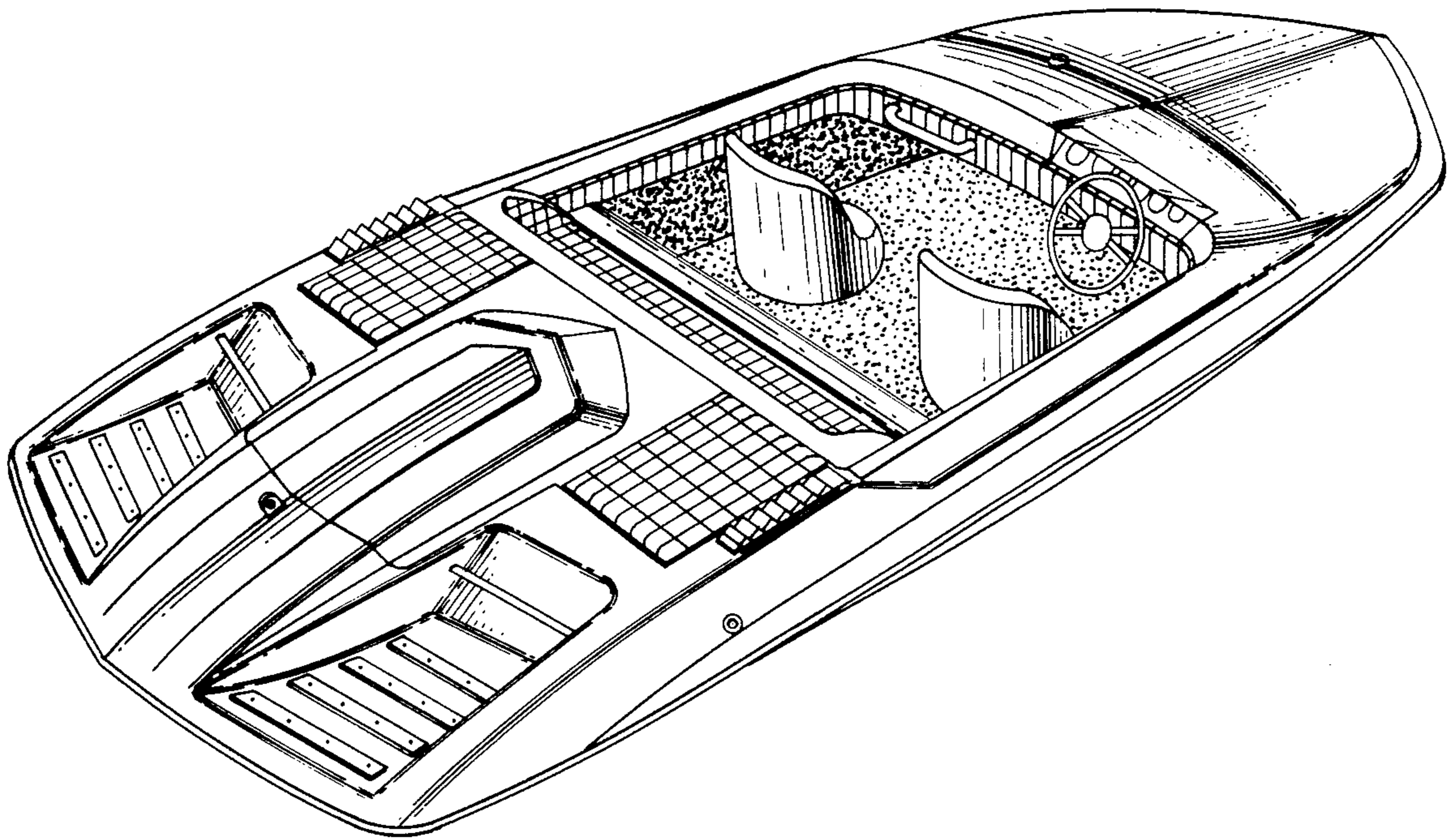


FIG. 2.

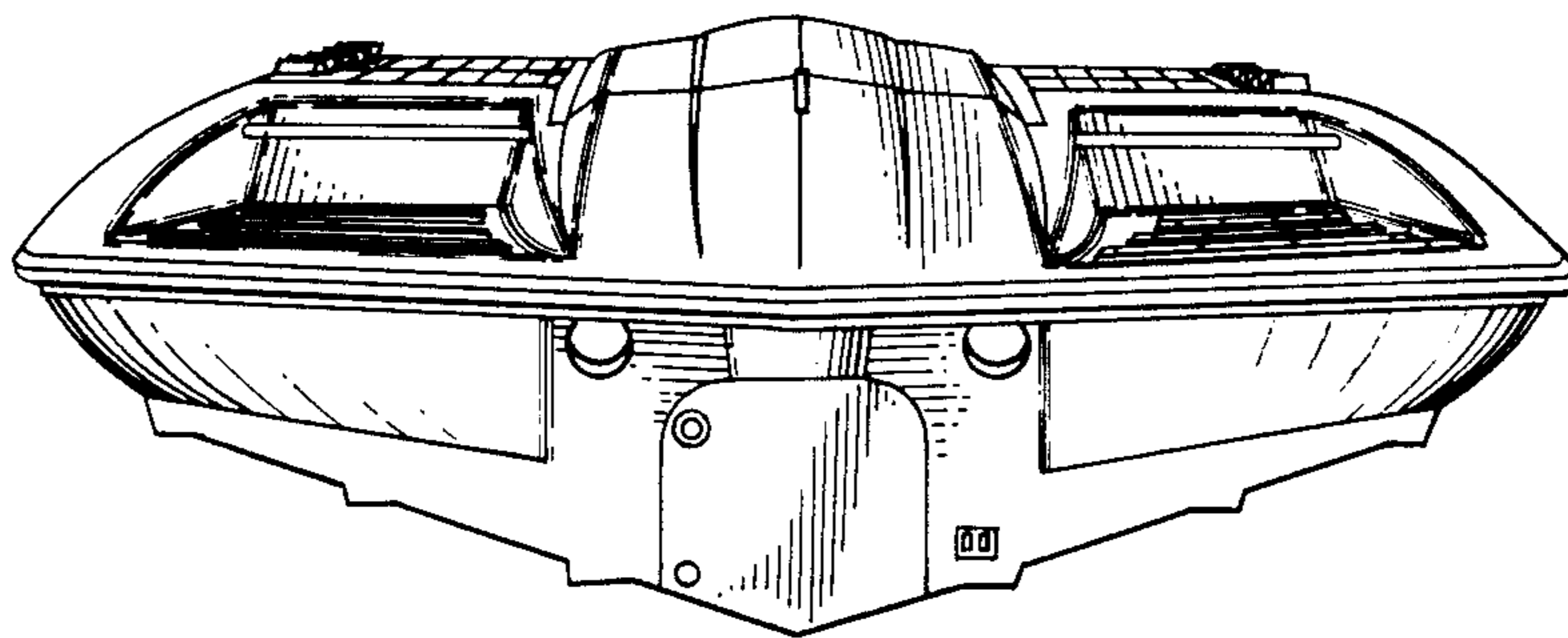


FIG. 3.

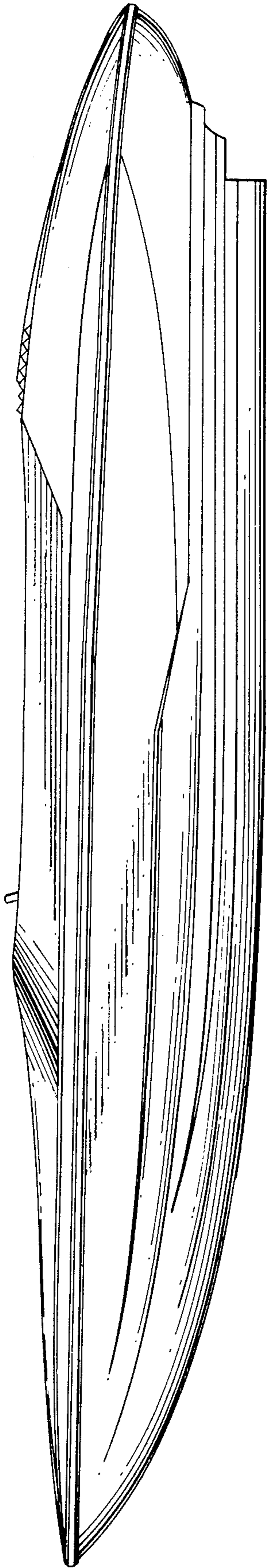


FIG. 4.

