

United States Patent [19]

Fujii et al.

[11] **Des. 246,296**

[45] **** Nov. 8, 1977**

[54] **PALLET**

[75] Inventors: **Mituru Fujii, Urawa; Izumi Narusawa, Tokyo, both of Japan**

[73] Assignee: **Dainippon Ink and Chemicals, Inc., Tokyo, Japan**

[*] Notice: The portion of the term of this patent subsequent to Nov. 18, 1991, has been disclaimed.

[**] Term: **14 Years**

[21] Appl. No.: **138,011**

[22] Filed: **Apr. 27, 1971**

[30] **Foreign Application Priority Data**

Oct. 30, 1970 Japan 50-37355

[51] Int. Cl. **D9-99**

[52] U.S. Cl. **D12/53**

[58] **Field of Search** D12/53; 108/51.1, 53.1, 108/55.1, 56.1, 57.1

[56] **References Cited**

U.S. PATENT DOCUMENTS

D. 221,745 9/1971 Holdredge et al. D12/53

Primary Examiner—Wallace R. Burke

Assistant Examiner—James M. Gandy

Attorney, Agent, or Firm—Robert D. Flynn

[57] **CLAIM**

The ornamental design for a pallet, as shown.

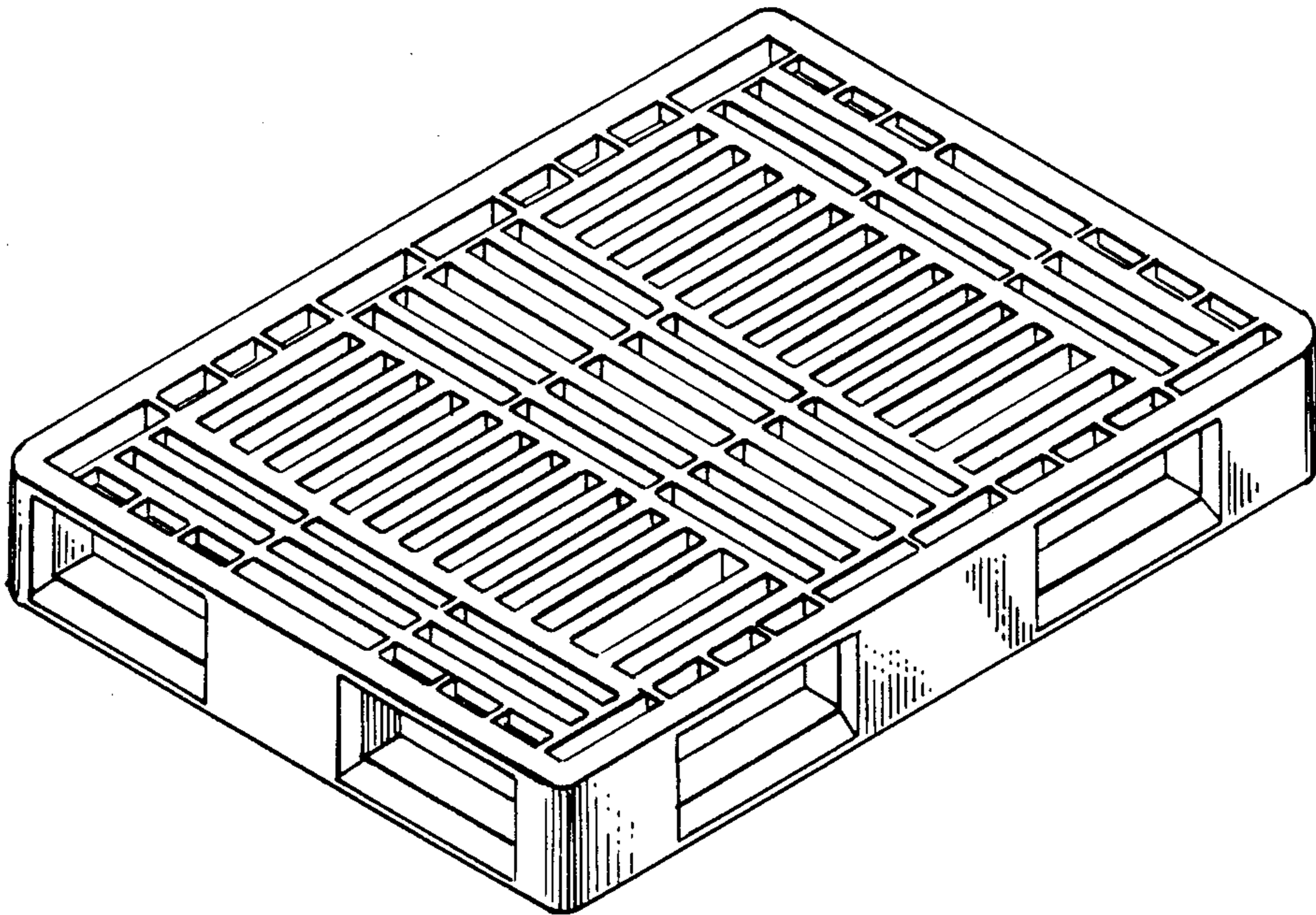
DESCRIPTION

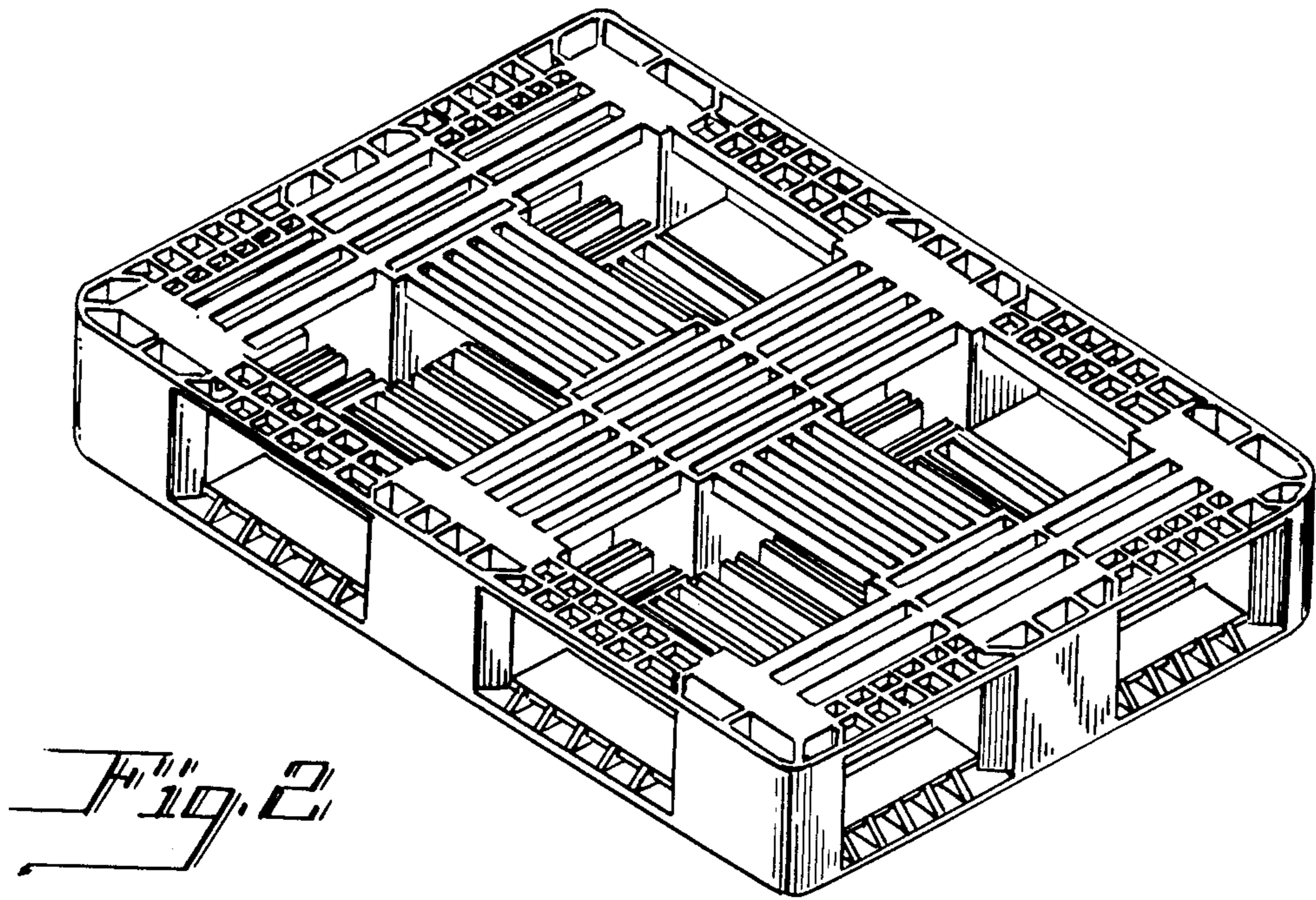
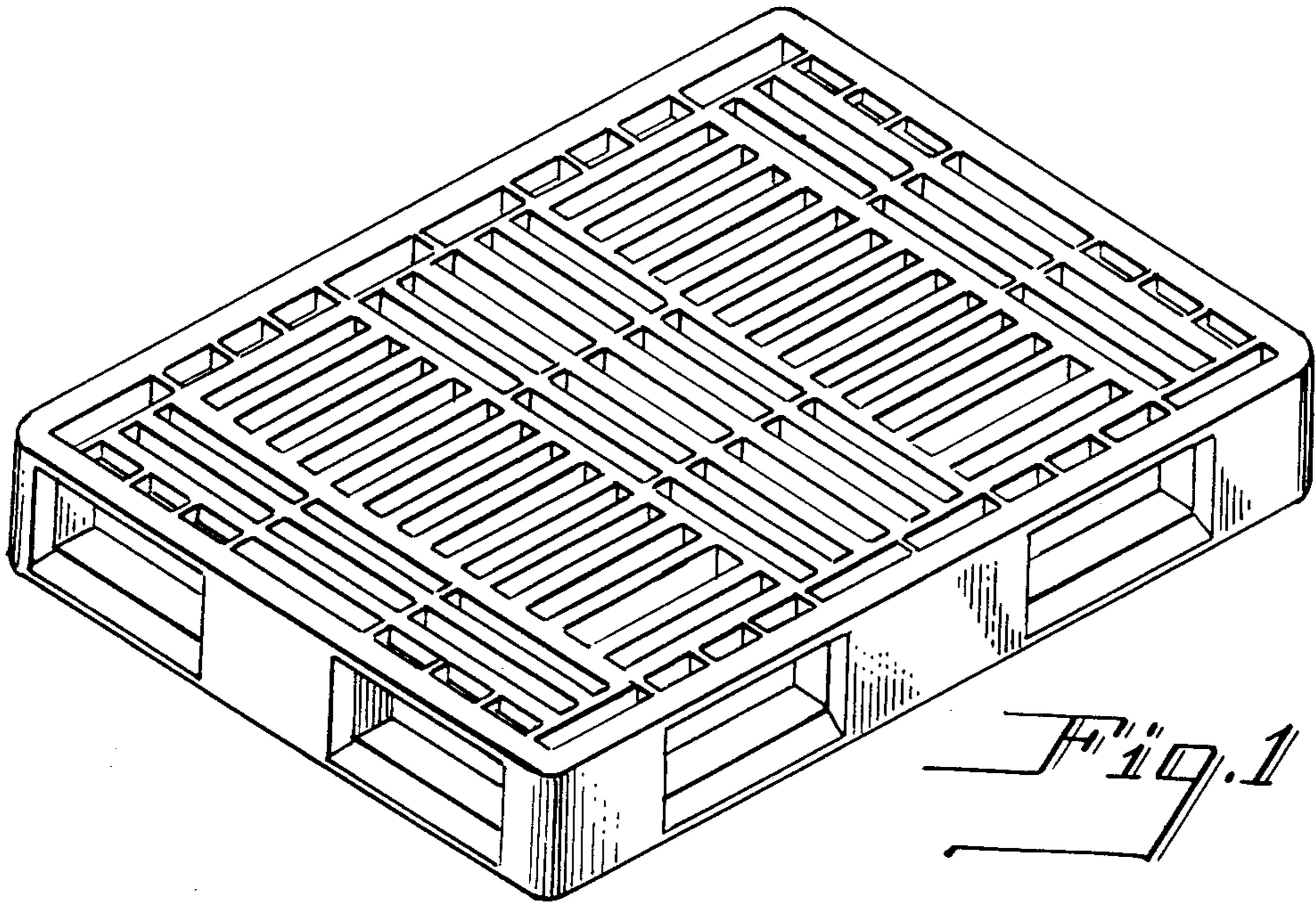
FIG. 1 is a top perspective view of a pallet showing our new design;

FIG. 2 is a bottom perspective view thereof;

FIG. 3 is a side elevational view thereof; and

FIG. 4 is an end elevational view thereof.





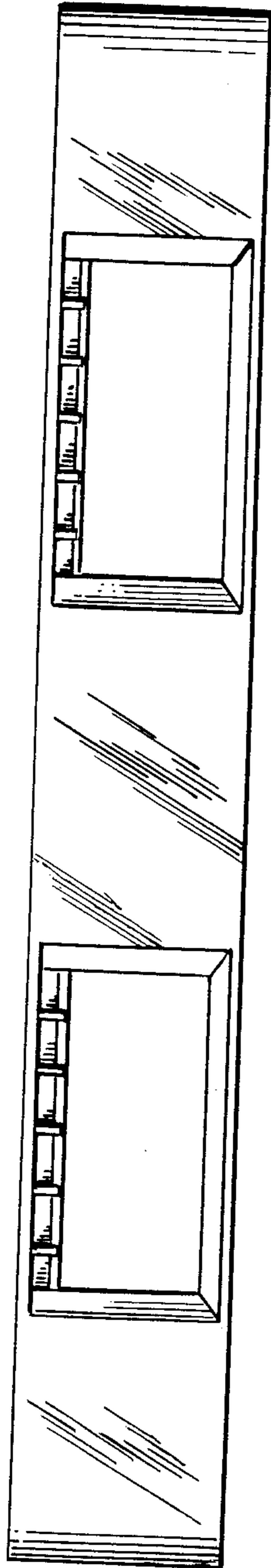


Fig. 3

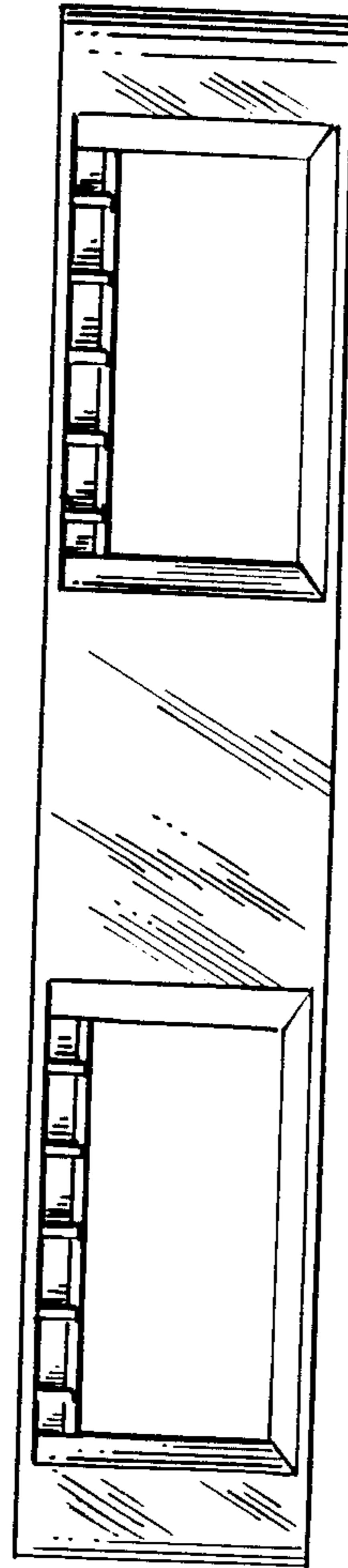


Fig. 4