

[54] FOOD CONTAINER

[75] Inventor: **Richard A. Boucher**, Northboro, Mass.

[73] Assignee: **Dart Industries Inc.**, Los Angeles, Calif.

[**] Term: **14 Years**

[21] Appl. No.: **647,951**

[22] Filed: **Jan. 9, 1976**

[51] Int. Cl. **D9-03**

[52] U.S. Cl. **D9/219**

[58] Field of Search 229/2.5, 30, 1.5 R;
D9/182, 219, 237, 242, 254; D7/16, 27, 37, 38,
40, 76, 84

[56]

References Cited

U.S. PATENT DOCUMENTS

D. 221,521	8/1971	Crabtree	D9/219
D. 238,137	12/1975	Swett	D9/219 X
D. 238,148	12/1975	Dilot	D7/76
D. 240,355	6/1976	Chadbourne	D9/219
3,394,861	7/1968	Truax	D7/76 X

Primary Examiner—Robert C. Spangler
Attorney, Agent, or Firm—Leigh B. Taylor

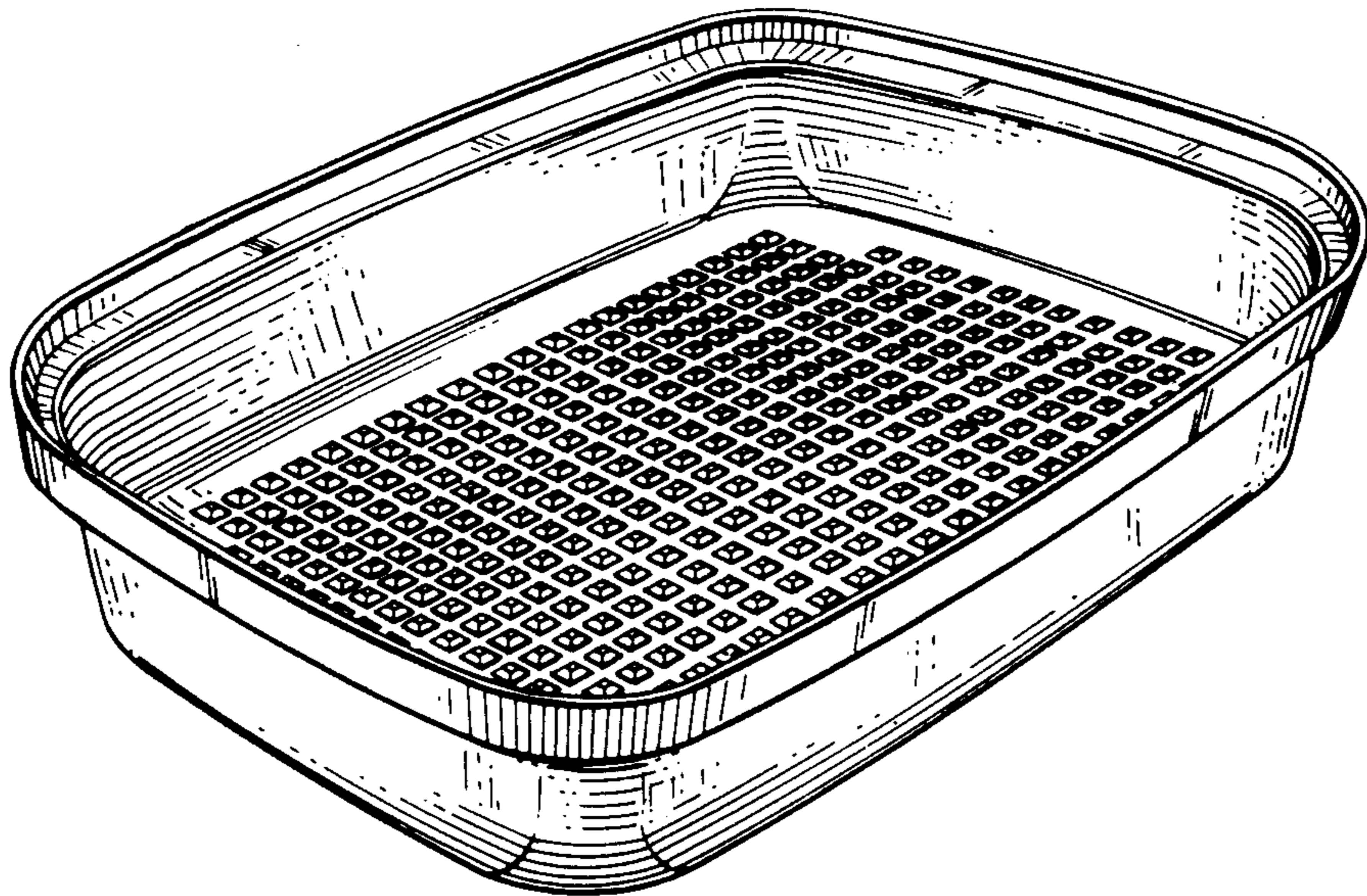
[57]

CLAIM

The ornamental design for a food container, substantially as shown.

DESCRIPTION

FIG. 1 is a perspective view of a food container embodying my new design;
FIG. 2 is a top plan view thereof;
FIG. 3 is a bottom plan view thereof;
FIG. 4 is a side view thereof;
FIG. 5 is an end view thereof; and
FIG. 6 is an end view thereof, partly in cross-section.



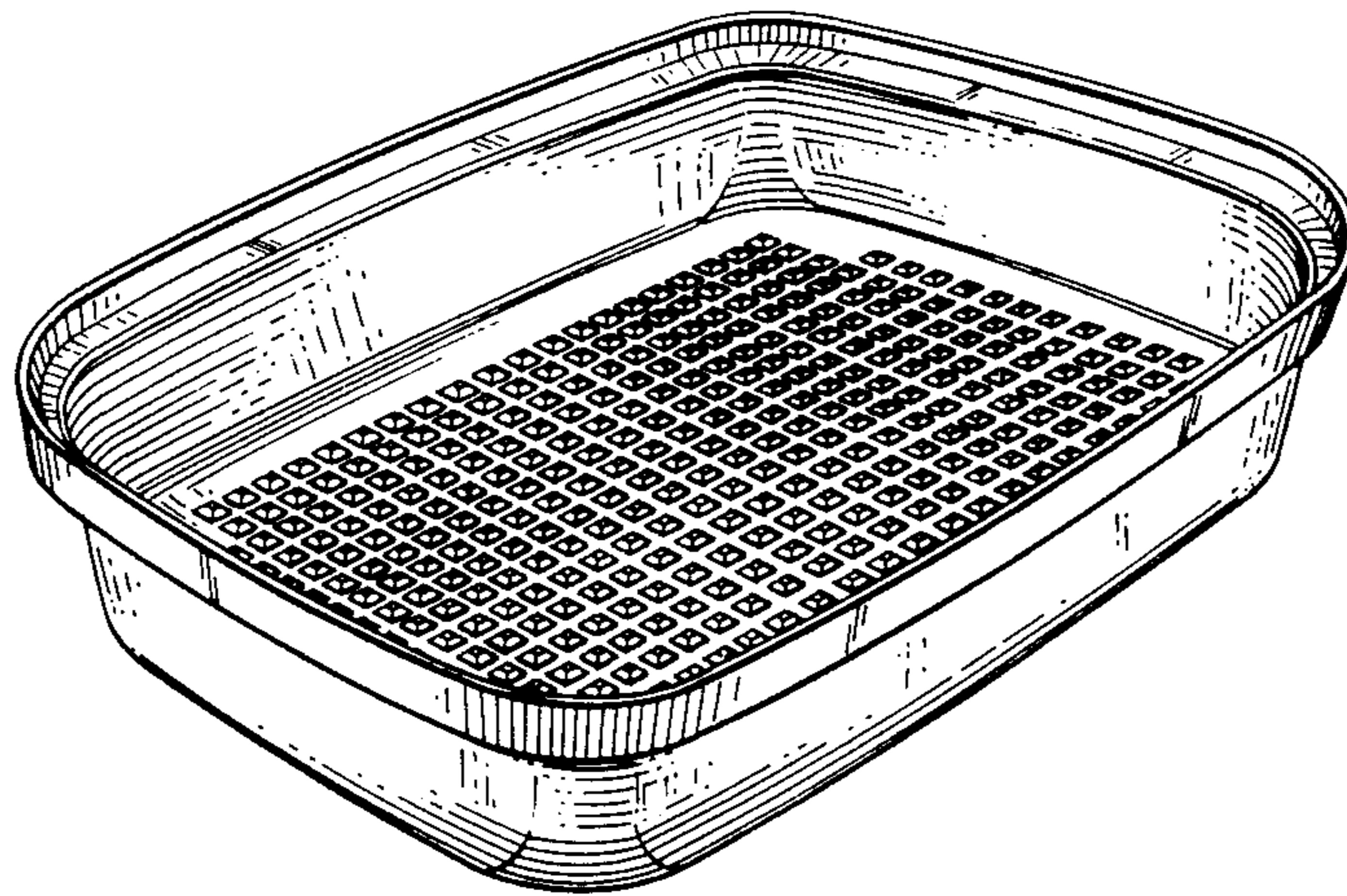


FIG. 1

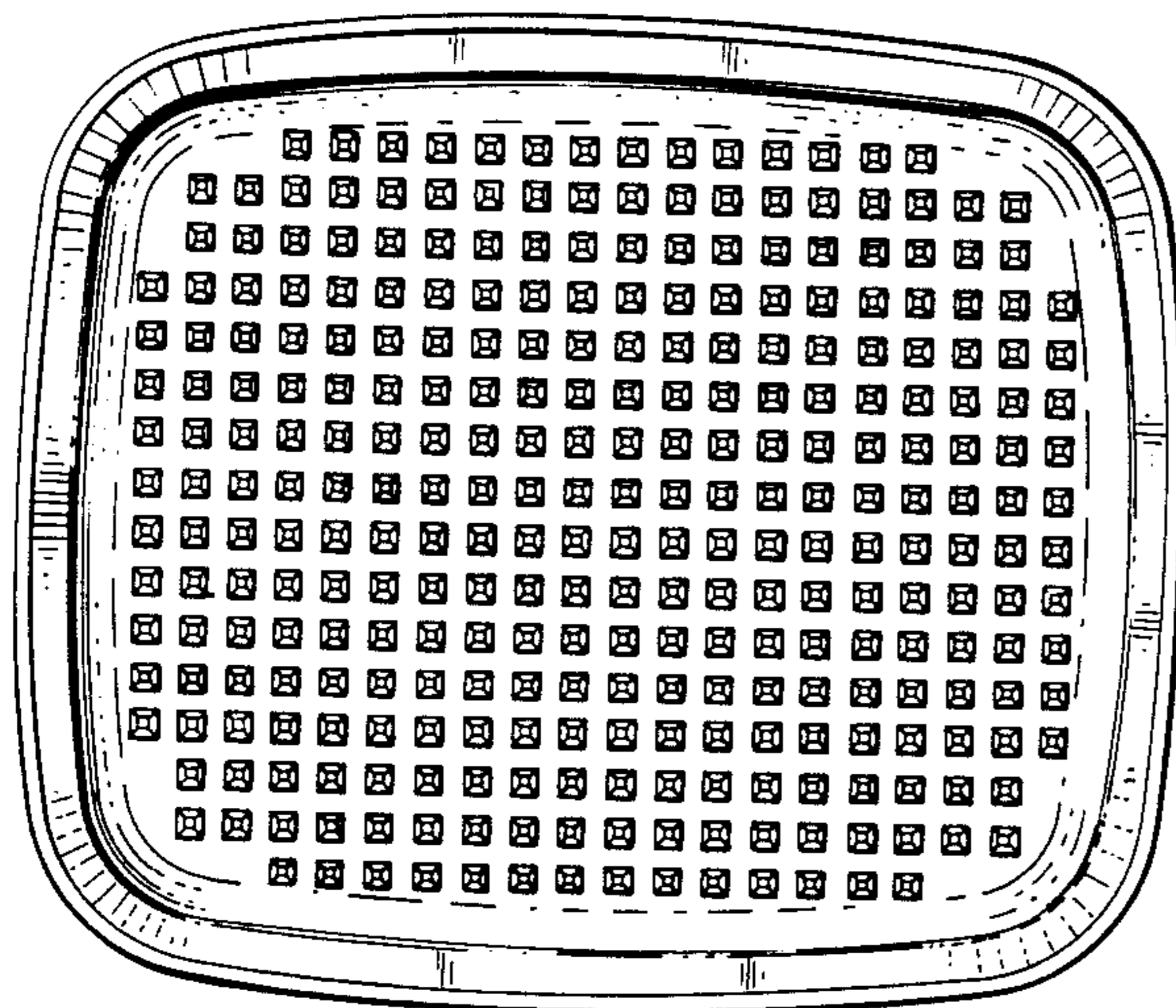


FIG. 2

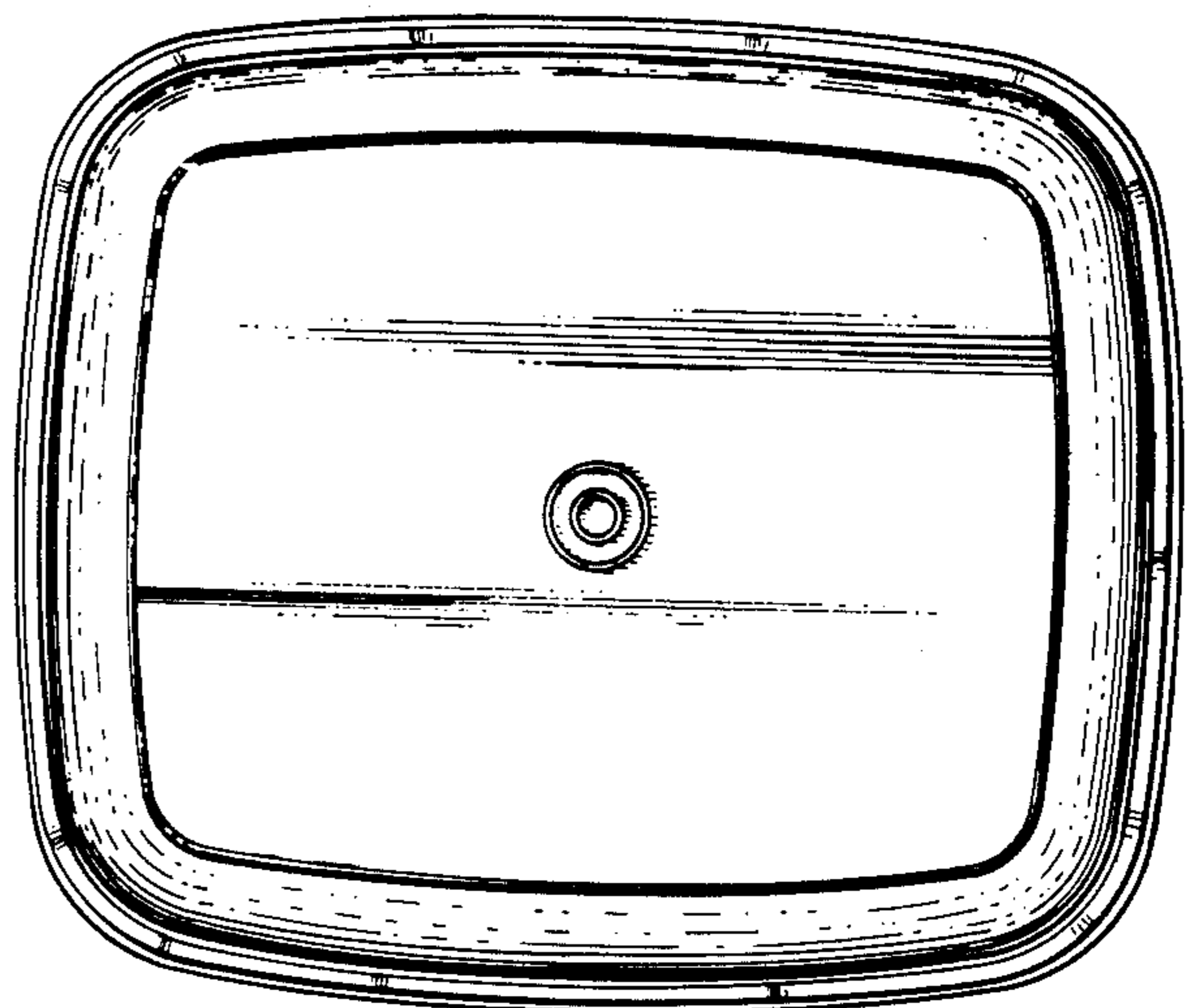


FIG. 3

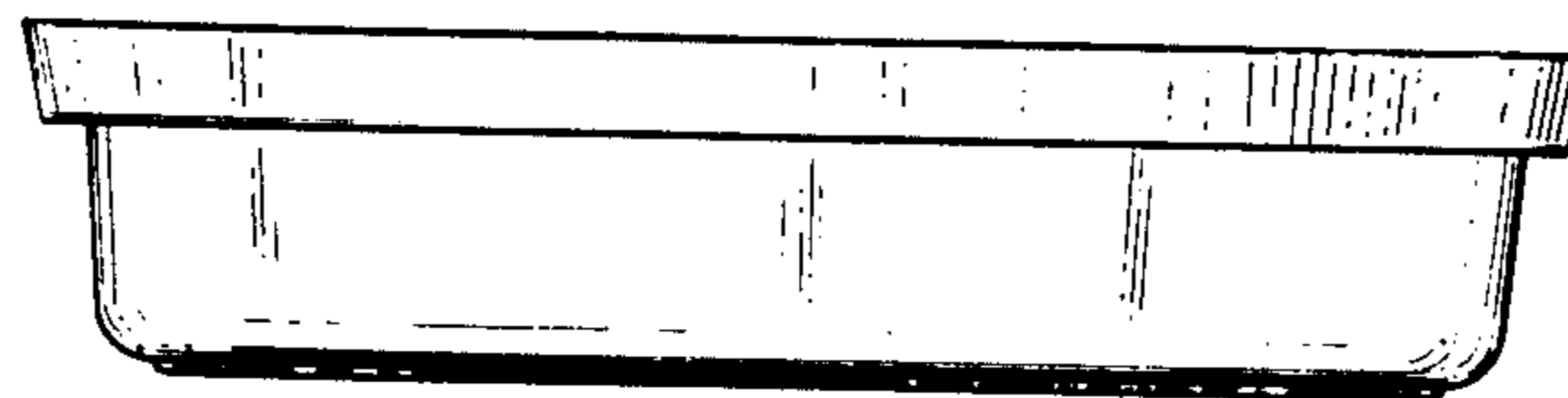


FIG. 4

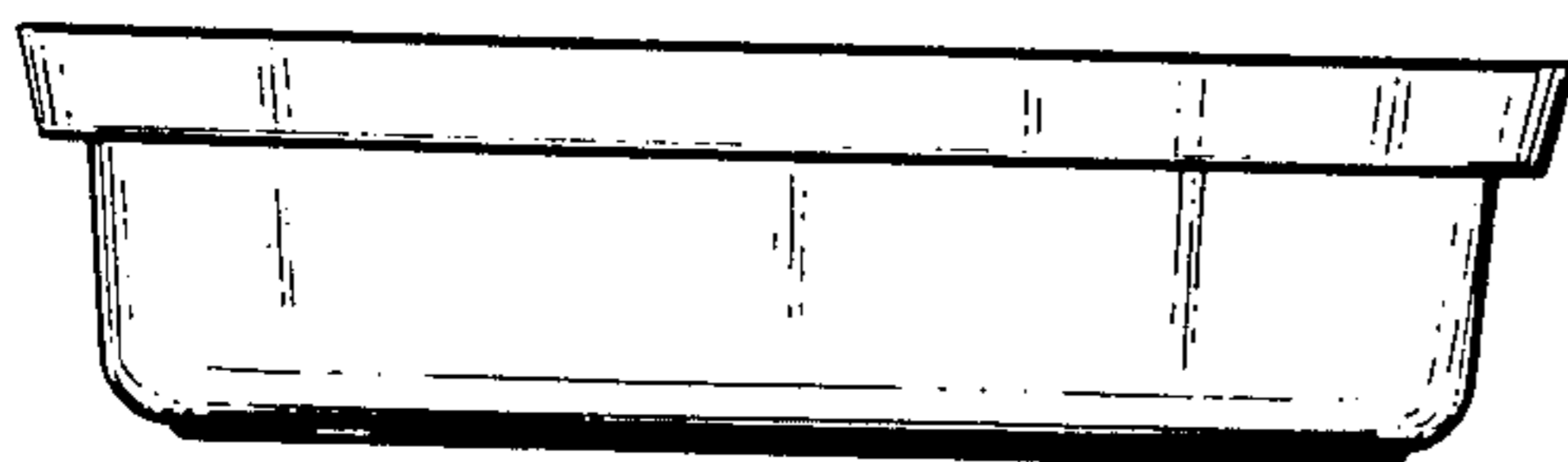


FIG. 5

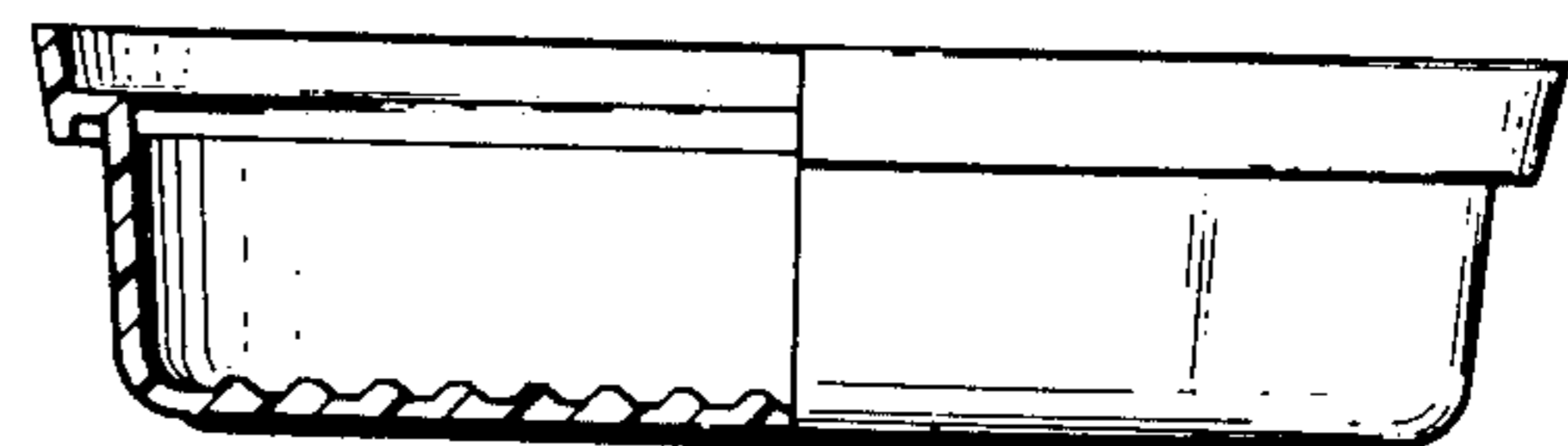


FIG. 6