

[54] BOTTLE CRATE

[76] Inventor: Erwin Tietz, Varmlandsgatan 22, Alingsas, Sweden

[**] Term: 14 Years

[21] Appl. No.: 551,708

[22] Filed: Feb. 21, 1975

[30] Foreign Application Priority Data
Aug. 22, 1974 Sweden 1334/74

[51] Int. Cl. D9-03

[52] U.S. Cl. D9/177

[58] Field of Search 220/21, DIG. 1, DIG. 15;
D9/176-179

[56]

References Cited

U.S. PATENT DOCUMENTS

D. 233,020	10/1974	Torokvel	D9/177
3,380,616	4/1968	Schoeller	220/21
3,565,278	2/1971	Rehrig	D9/177 X

OTHER PUBLICATIONS

Modern Plastics, Jan. 1965, p. 49, beverage case.

Primary Examiner—Robert C. Spangler
Attorney, Agent, or Firm—William D. Denson

[57]

CLAIM

The ornamental design for a bottle crate, as shown and described.

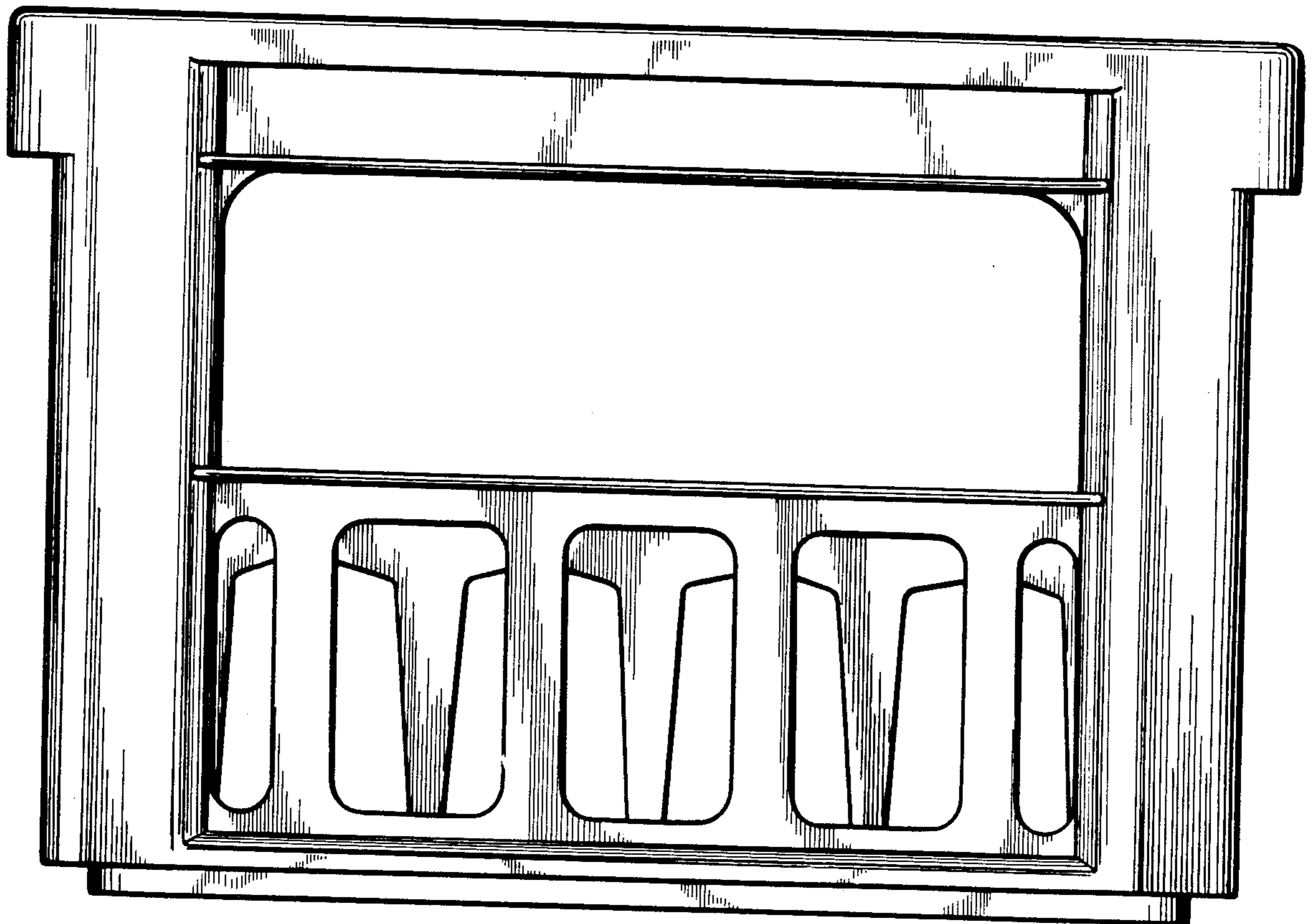
DESCRIPTION

FIG. 1 is a perspective view of a bottle crate showing my new design;

FIG. 2 is a side elevational view;

FIG. 3 is a top plan view; and

FIG. 4 is a bottom plan view thereof.



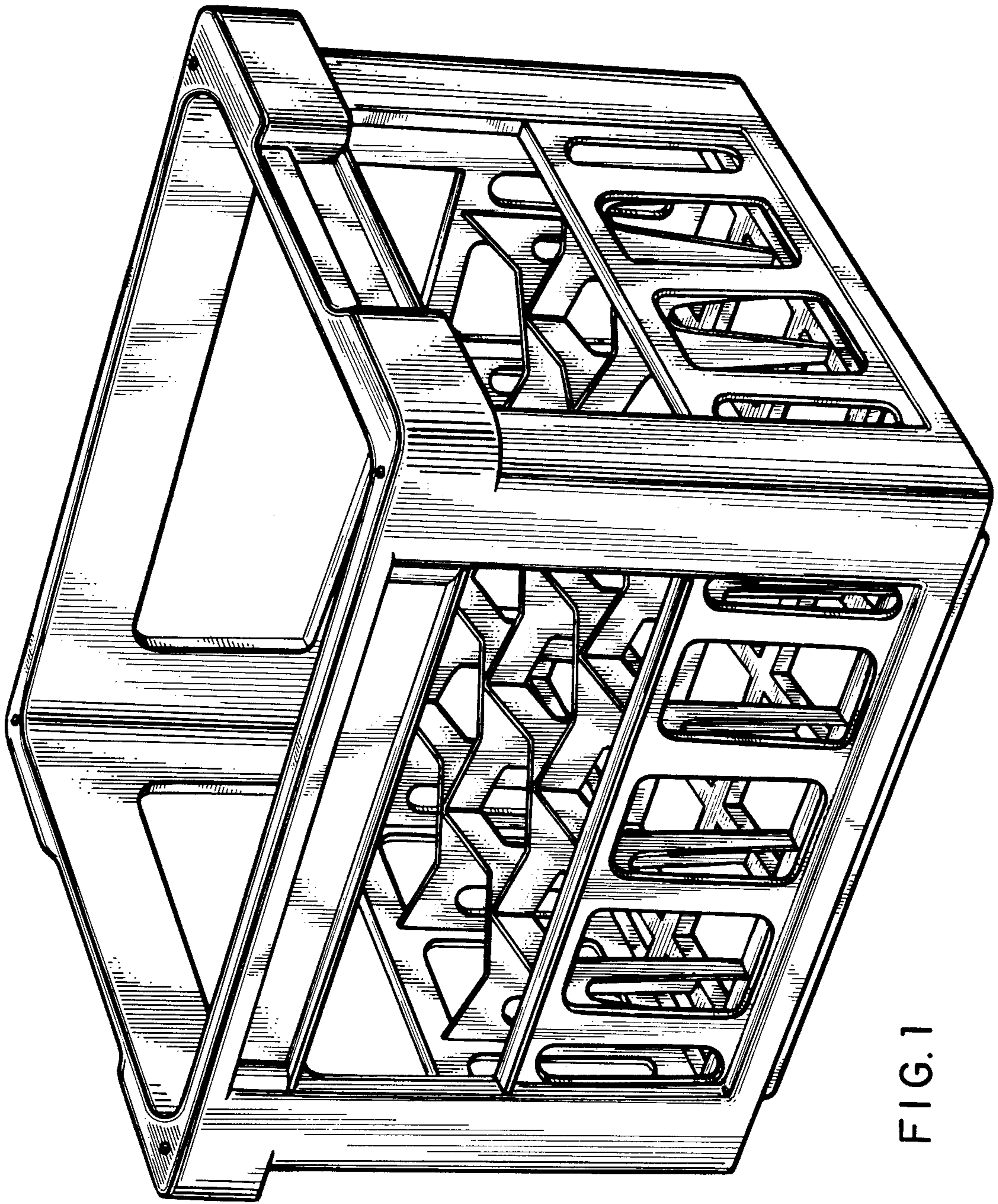


FIG. 1

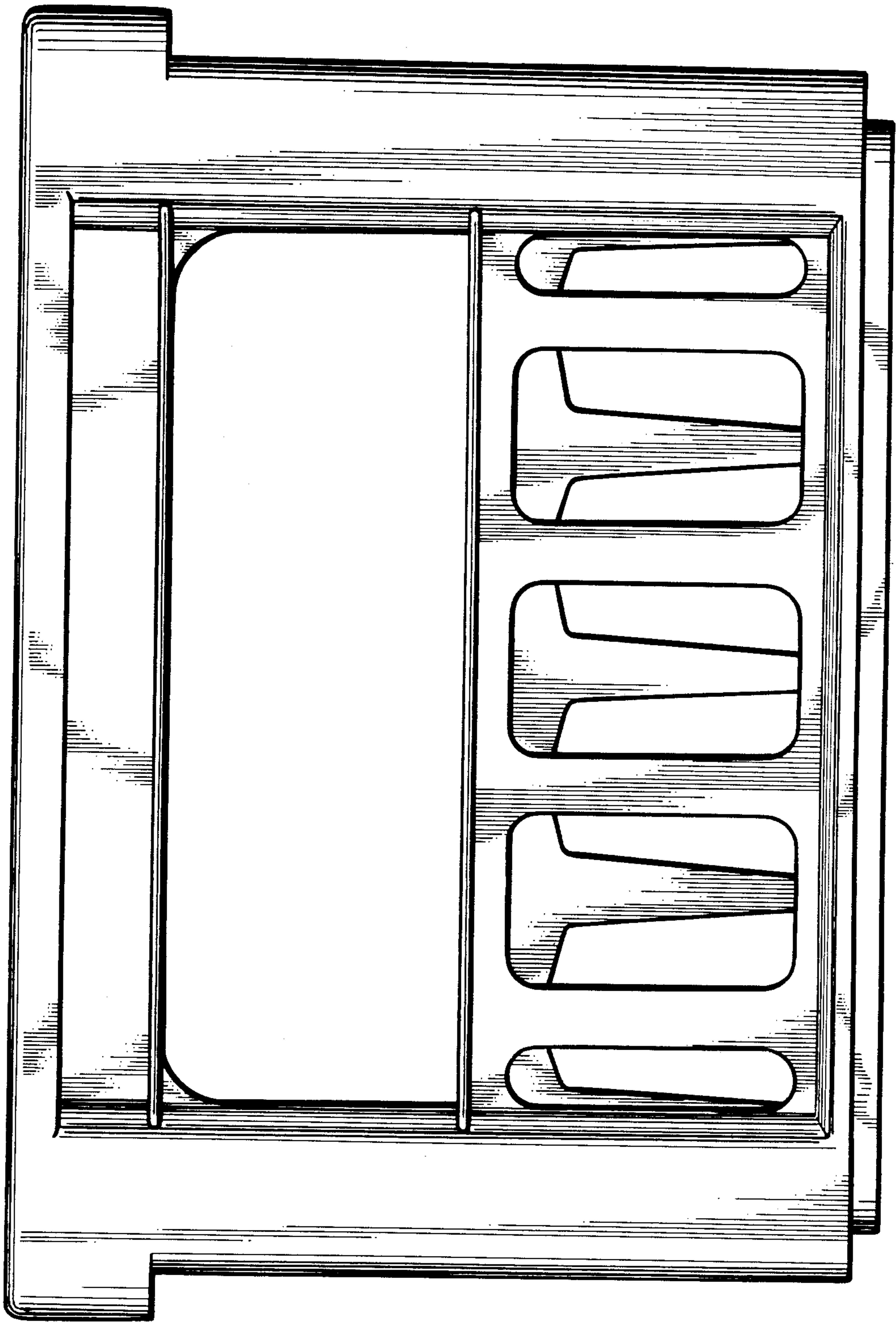


FIG. 2

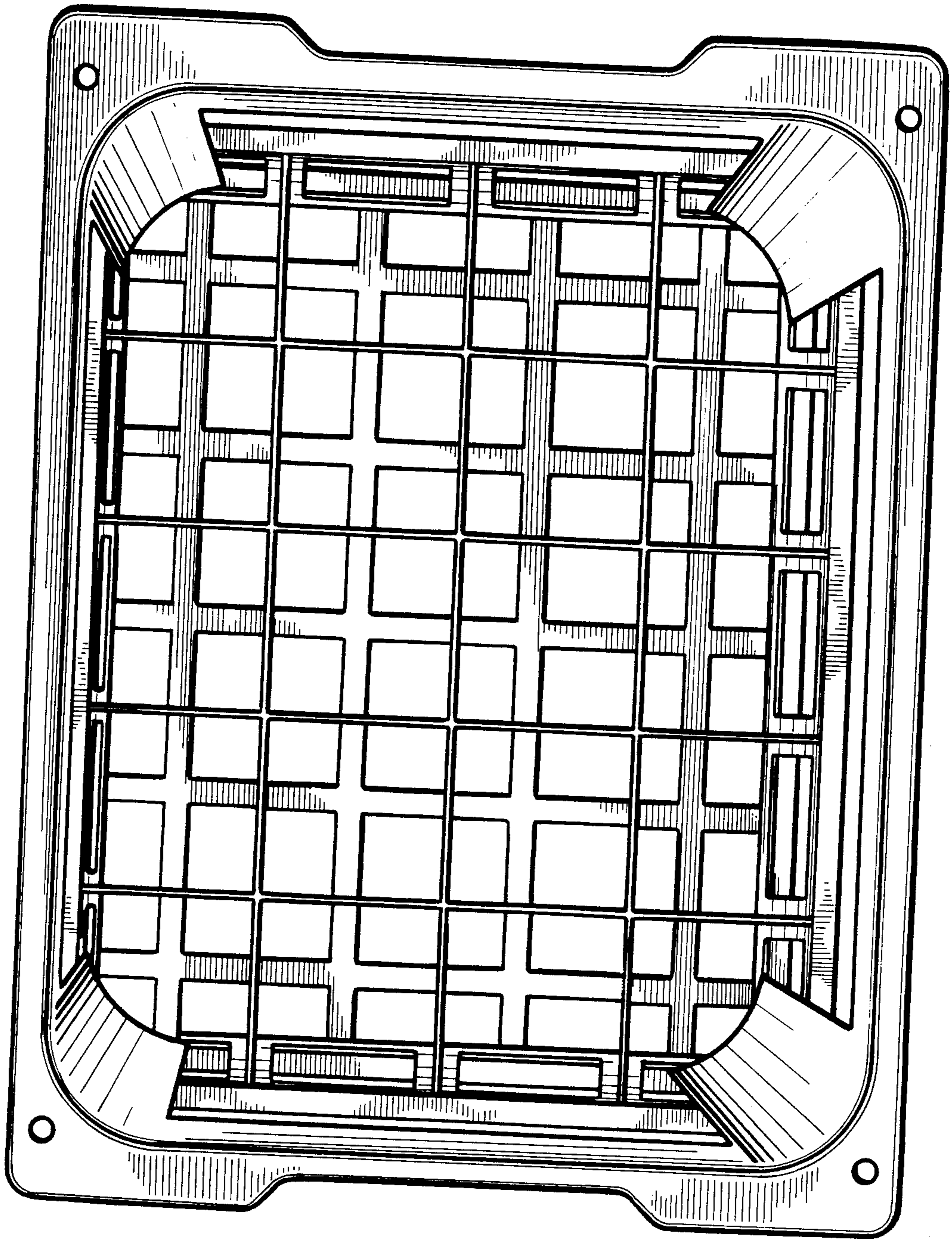


FIG. 3

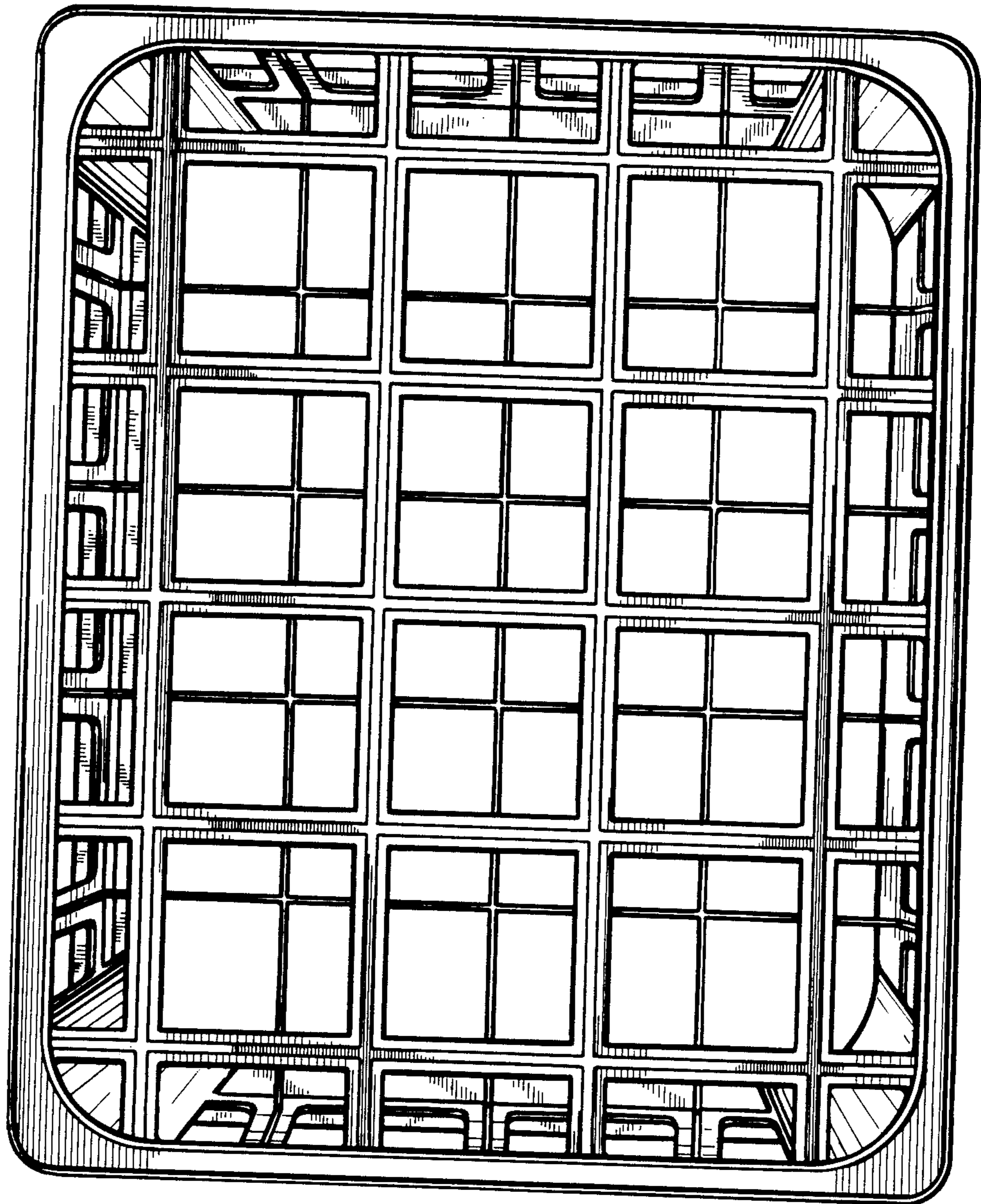


FIG. 4