

# United States Patent [19]

Daenen

[11] **Des. 246,280**

[45] **\*\* Nov. 8, 1977**

[54] **TONGS**  
[75] **Inventor: Robert H. C. M. Daenen, Aalst, Belgium**  
[73] **Assignee: Dart Industries Inc., Los Angeles, Calif.**  
[\*\*] **Term: 14 Years**  
[21] **Appl. No.: 655,324**  
[22] **Filed: Feb. 5, 1976**  
[51] **Int. Cl. .... D7-06**  
[52] **U.S. Cl. .... D7/105**  
[58] **Field of Search ..... D7/105, 99, 41, 102; 294/16, 3, 33, 8.5; D28/55, 36; D24/27**

[56] **References Cited**  
**U.S. PATENT DOCUMENTS**  
D. 55,487 6/1920 Rozenske ..... D28/55

D. 101,764 11/1936 Brooks ..... D7/105  
D. 138,917 9/1944 Frank ..... D7/105  
D. 189,488 12/1960 Page ..... D7/105  
3,214,210 10/1965 Keirn ..... 294/16  
3,934,915 1/1976 Humpa ..... D7/105 X

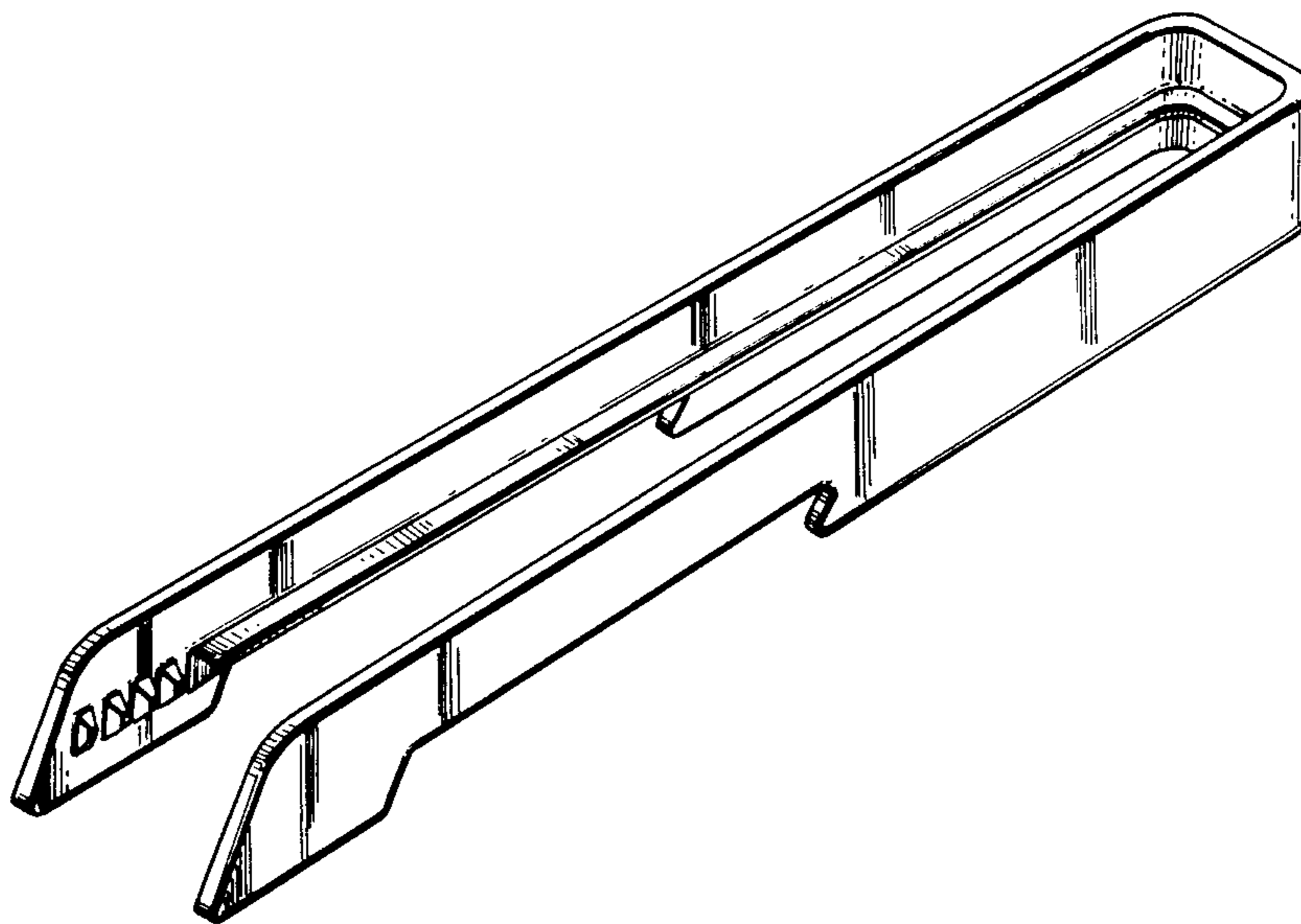
*Primary Examiner—Winifred E. Herrmann*  
*Attorney, Agent, or Firm—Leigh B. Taylor*

## [57] CLAIM

The ornamental design for tongs, substantially as shown.

## DESCRIPTION

FIG. 1 is a perspective view of the tongs showing my new design;  
FIG. 2 is a side view thereof;  
FIG. 3 is a top view thereof;  
FIG. 4 is a bottom view thereof;  
FIG. 5 is an end view taken from the right end of FIG. 2; and  
FIG. 6 is an end view taken from the left end of FIG. 2.



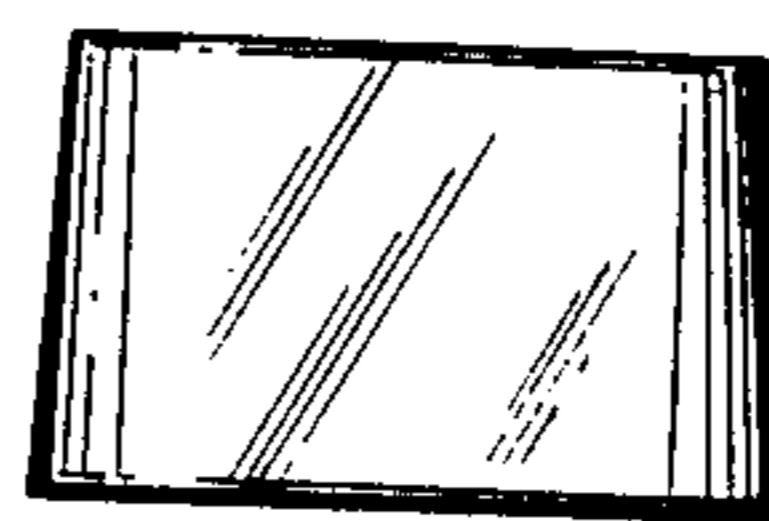
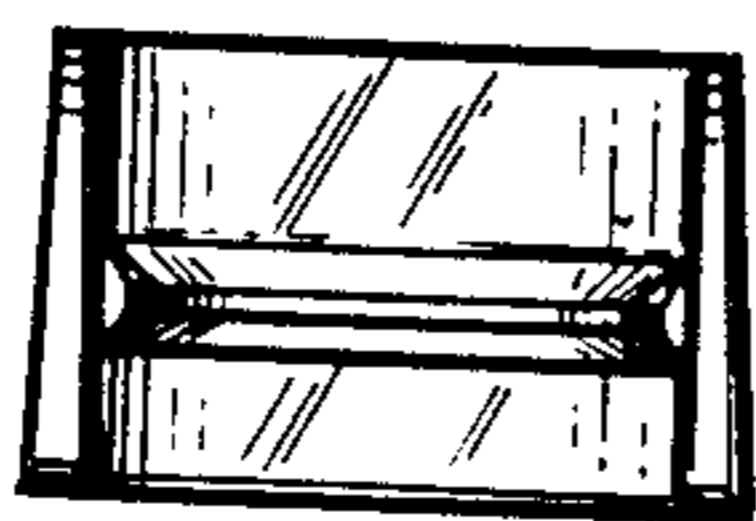
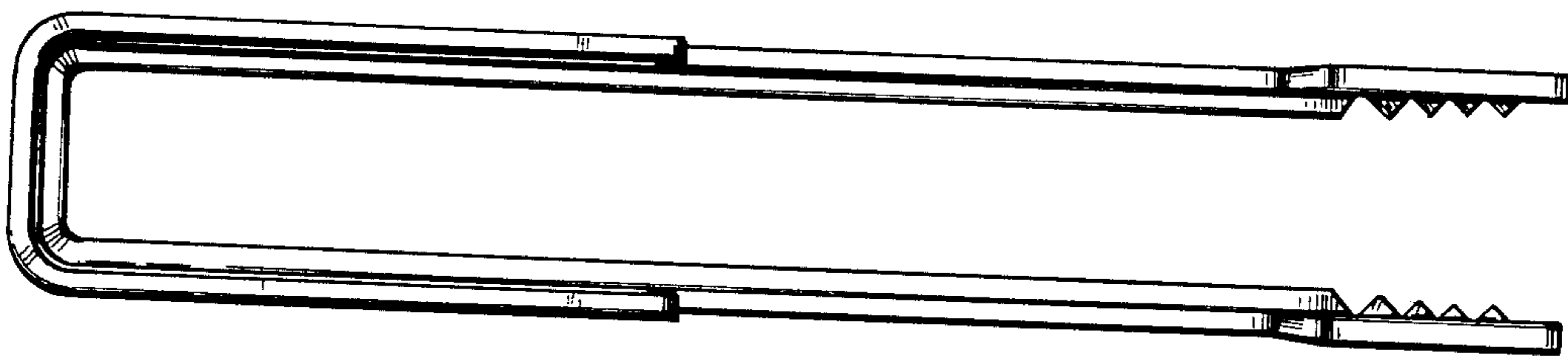
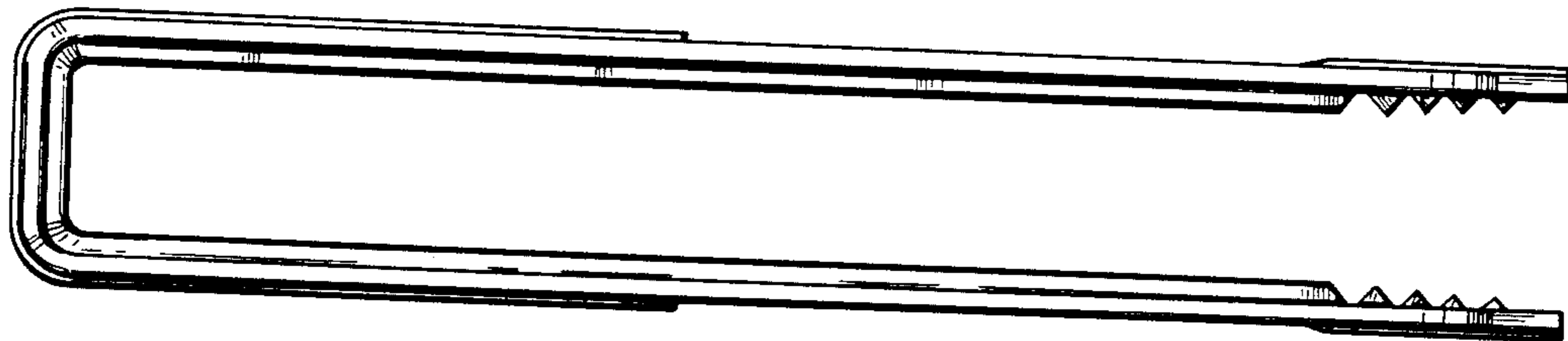
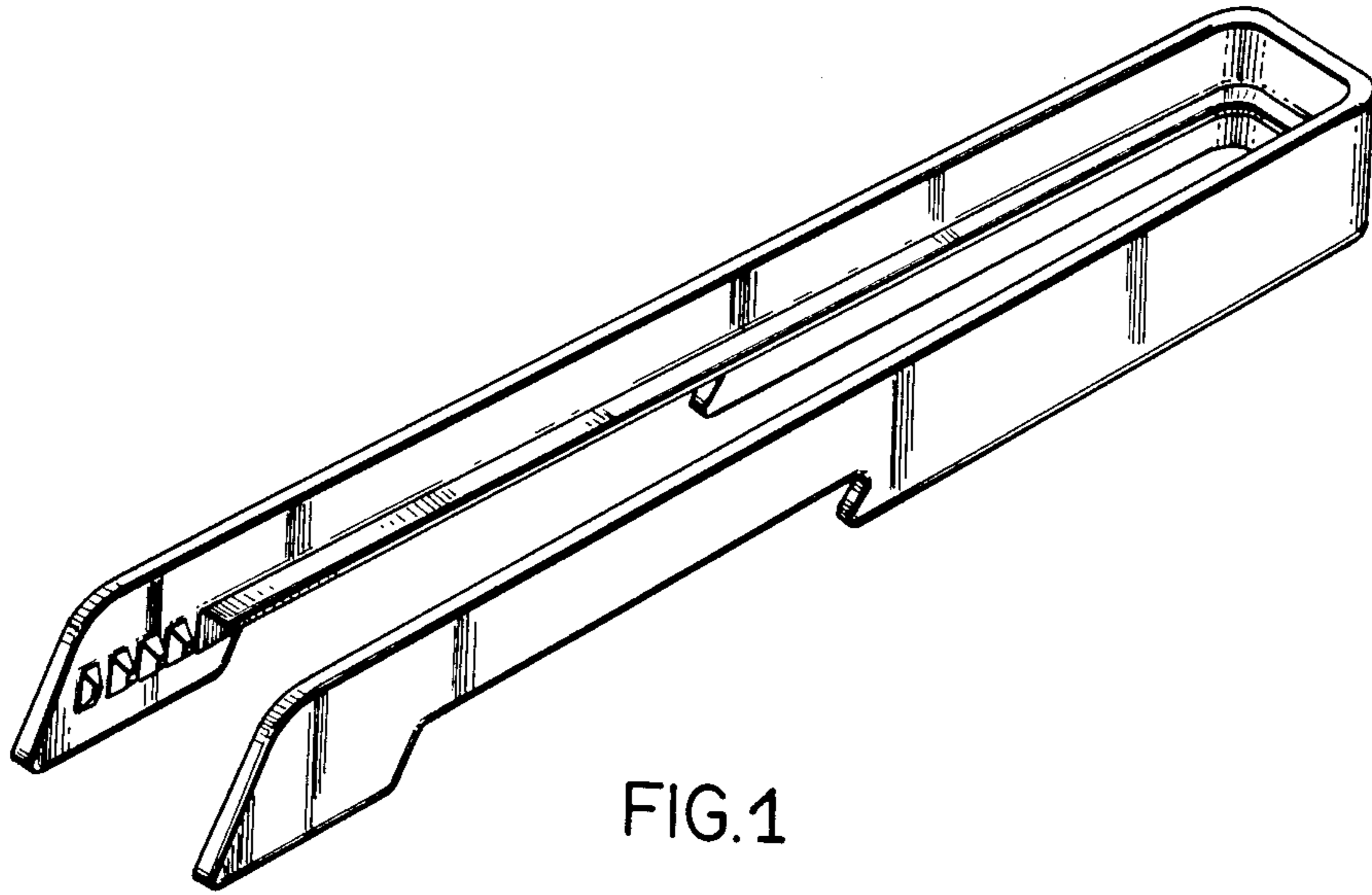


FIG. 5

FIG. 6