

[54] SNACK TRAY

[76] Inventor: Frank Forselius, 12924 S. Main St., Los Angeles, Calif. 90061

[**] Term: 14 Years

[21] Appl. No.: 696,778

[22] Filed: June 16, 1976

[51] Int. Cl. D7-99

[52] U.S. Cl. D7/38

[58] Field of Search D7/70, 71, 38, 37, 4; D9/185, 187, 184

[56] References Cited

U.S. PATENT DOCUMENTS

D. 144,016	2/1946	Weideman	D7/38 X
D. 145,718	10/1946	Geddes	D7/38
D. 158,397	5/1950	Liebel	D7/4
D. 169,817	6/1953	Klein	D7/21

OTHER PUBLICATIONS

H. Barrow Co., Inc., Hotel/and Ship Supplies, 1947, Cat., p. 151, Bottle and Tumbler Rack, top center.

Primary Examiner—Winifred E. Herrmann

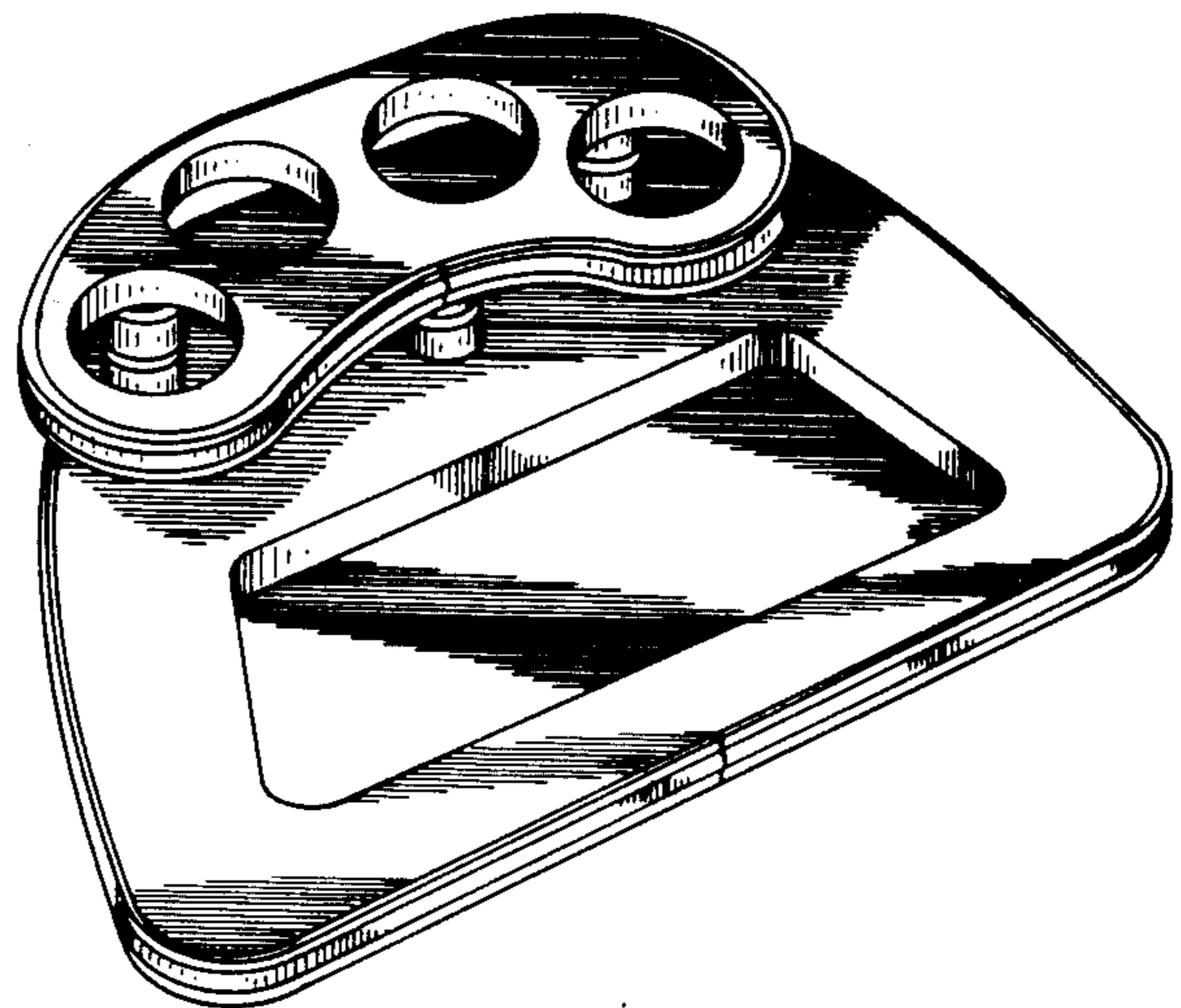
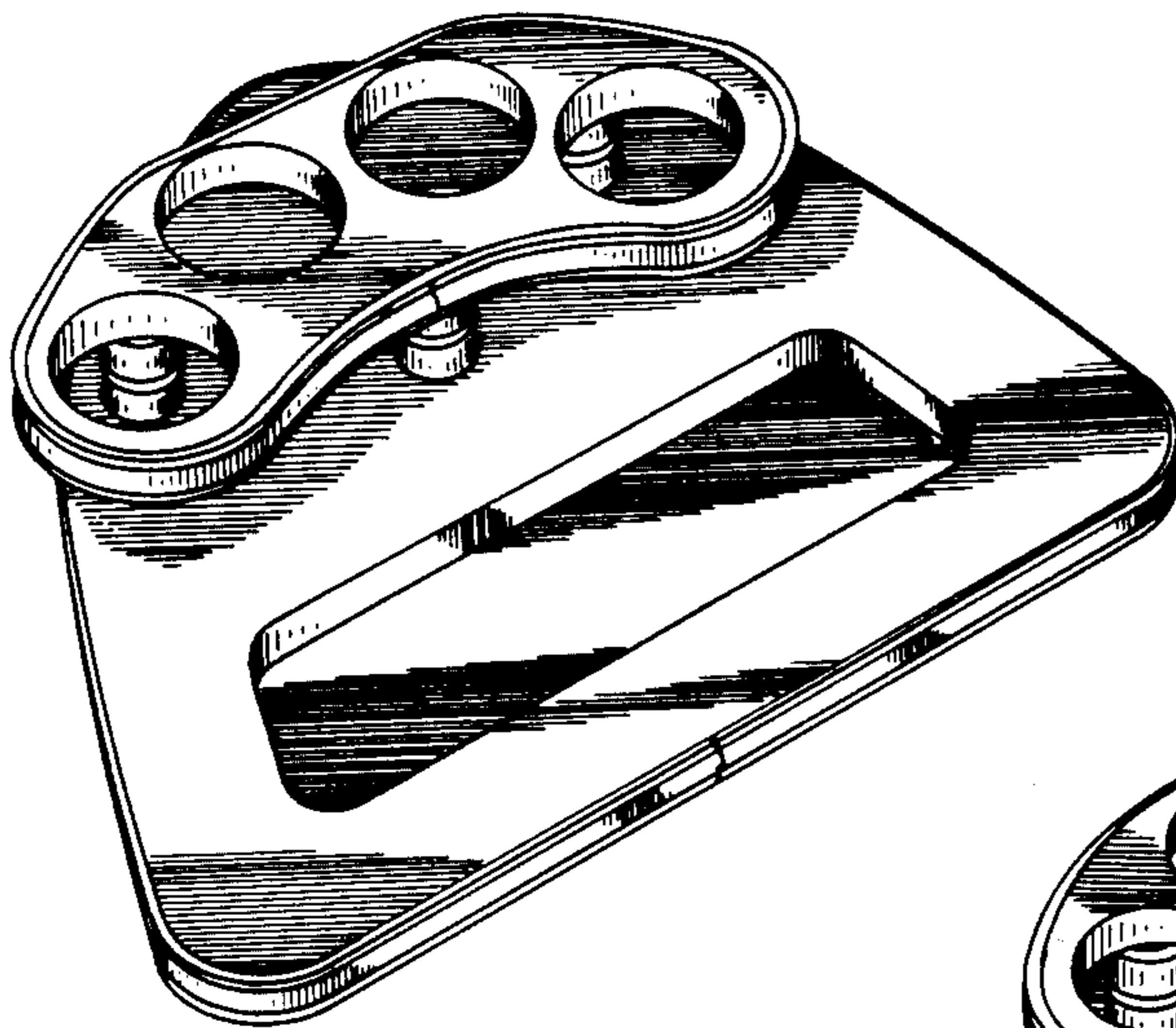
Attorney, Agent, or Firm—Edward A. Sokolski

[57] CLAIM

The ornamental design for a snack tray, as shown and described.

DESCRIPTION

FIG. 1 is a perspective view of the snack tray showing a first embodiment of my new design;
 FIG. 2 is a top plan view of the first embodiment of the snack tray;
 FIG. 3 is a bottom plan view of the first embodiment of the snack tray;
 FIG. 4 is a front elevational view of the first embodiment of the snack tray;
 FIG. 5 is a side elevational view of the first embodiment of the snack tray;
 FIG. 6 is a perspective view of the snack tray showing a second embodiment of my new design;
 FIG. 7 is a top plan view of the second embodiment of the snack tray;
 FIG. 8 is a bottom plan view of the second embodiment of the snack tray;
 FIG. 9 is a front elevational view of the second embodiment of the snack tray; and
 FIG. 10 is a side elevational view of the second embodiment of the snack tray.



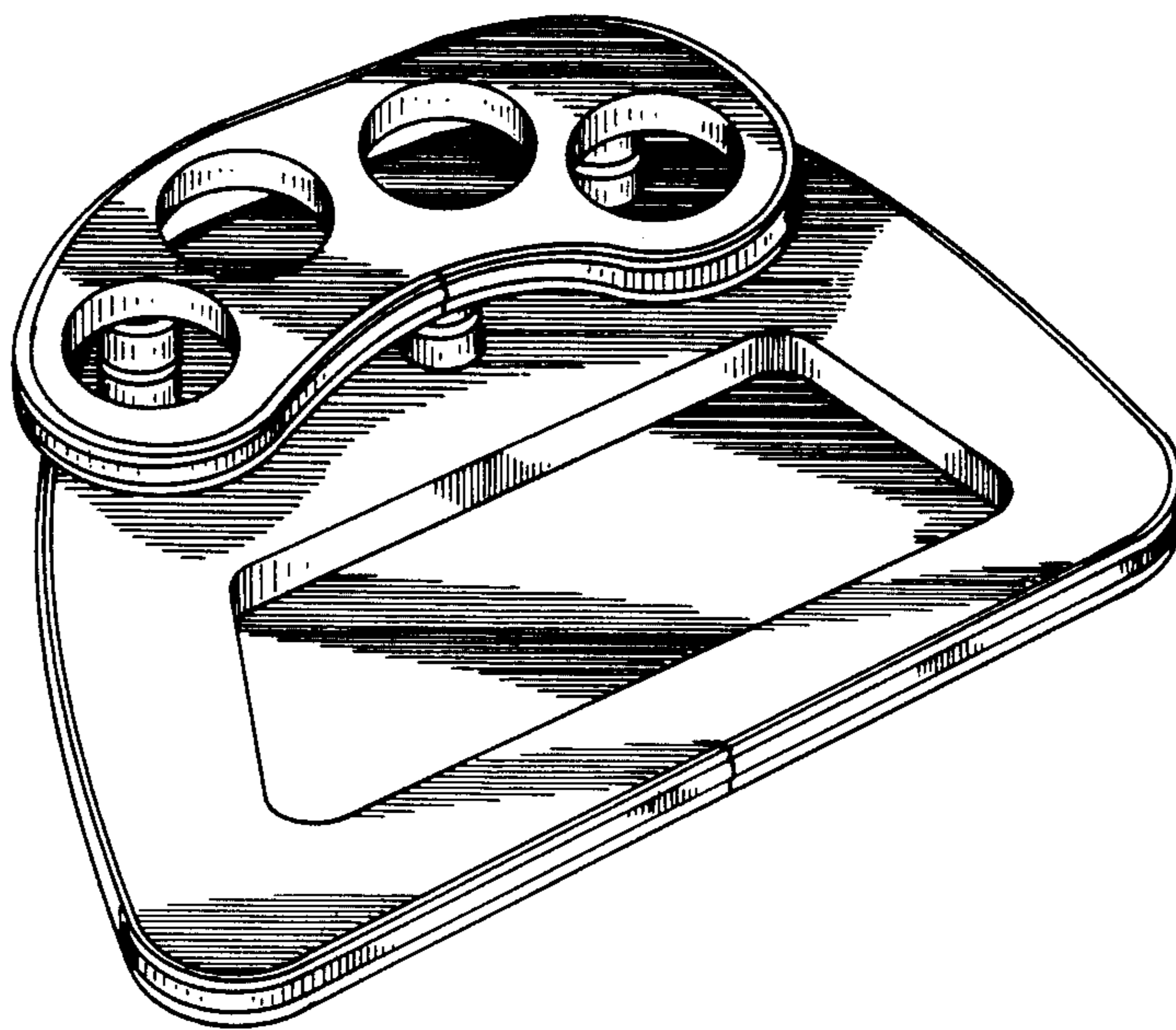


FIG. 1

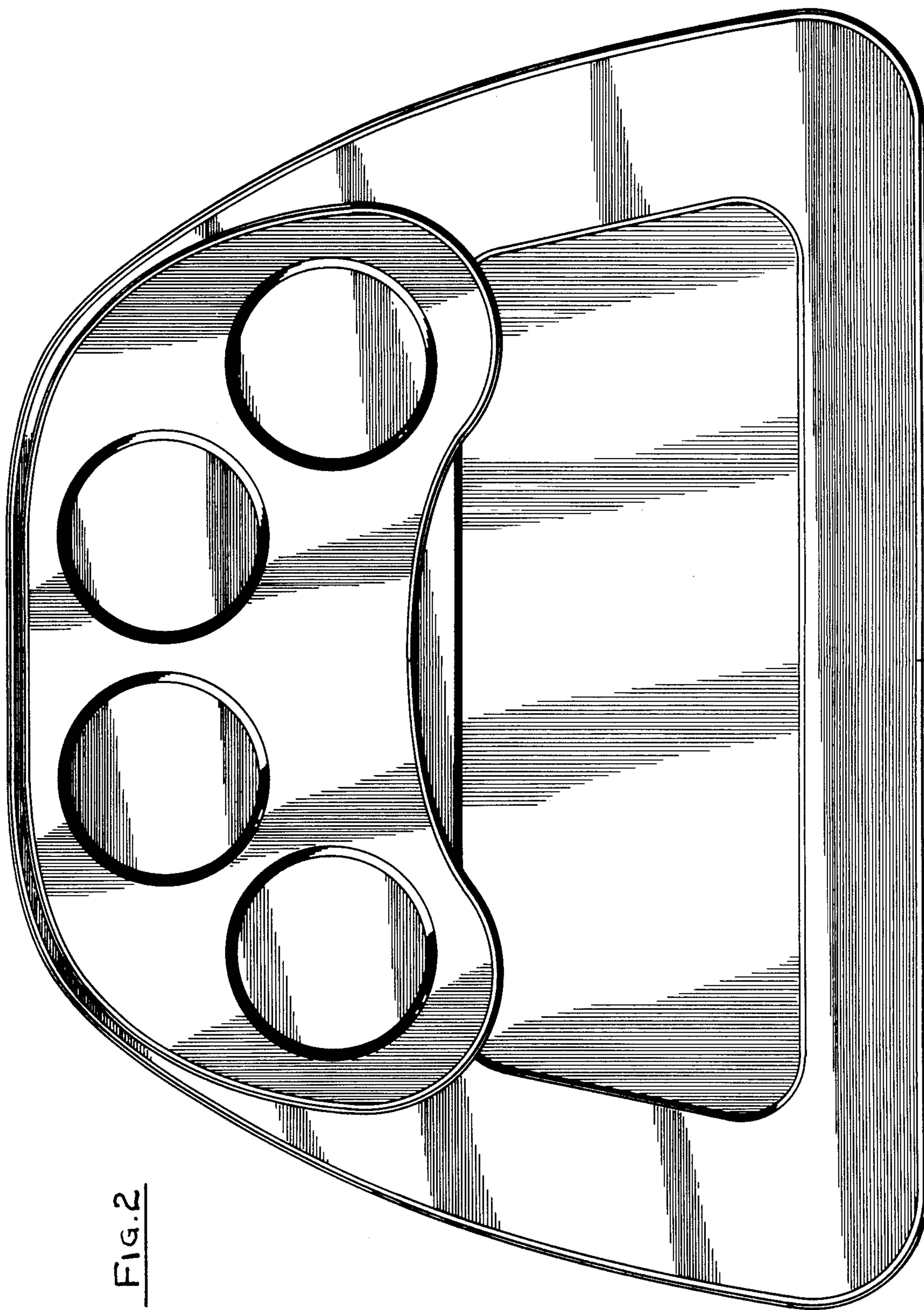


FIG. 2

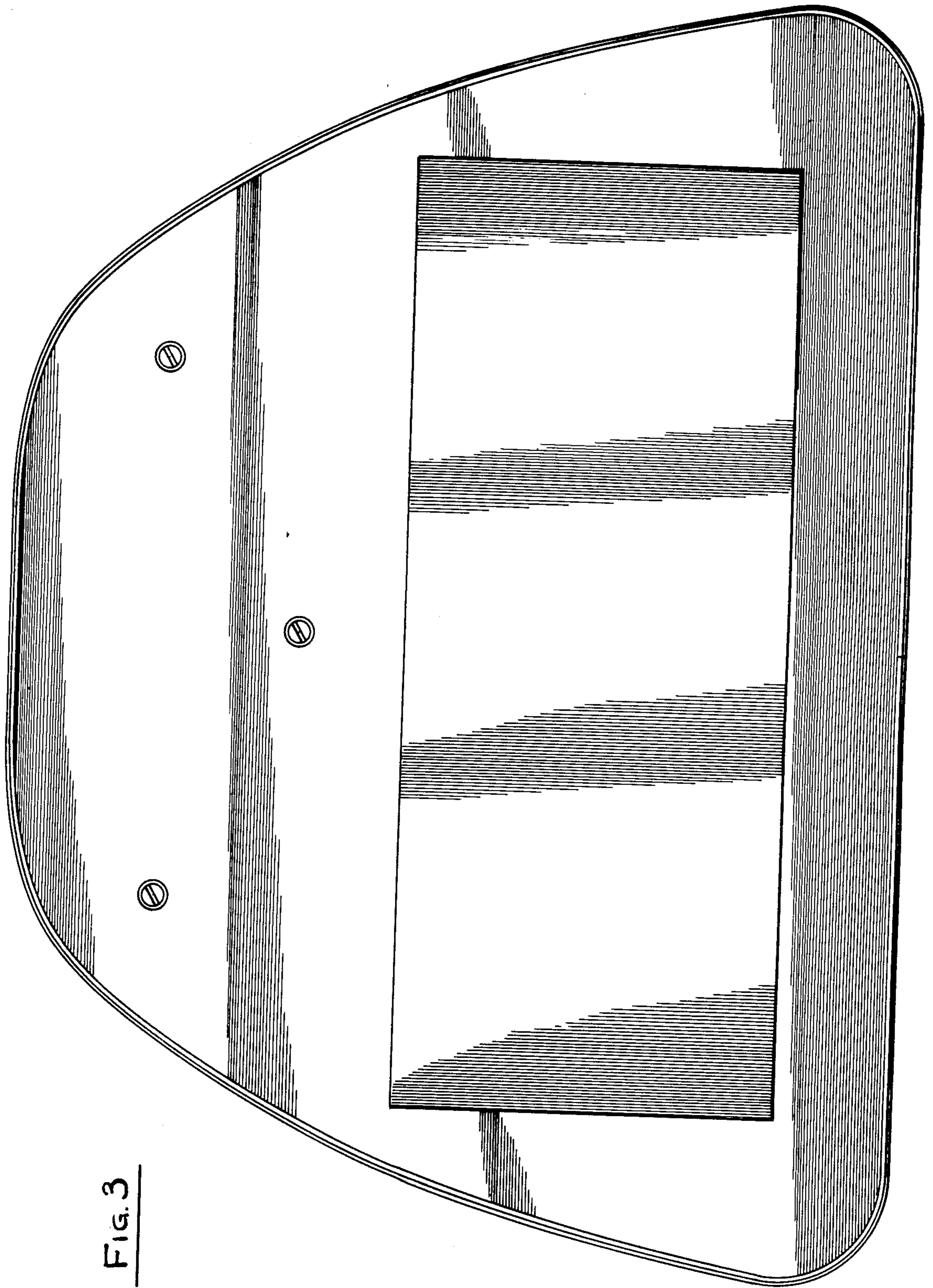


FIG. 3

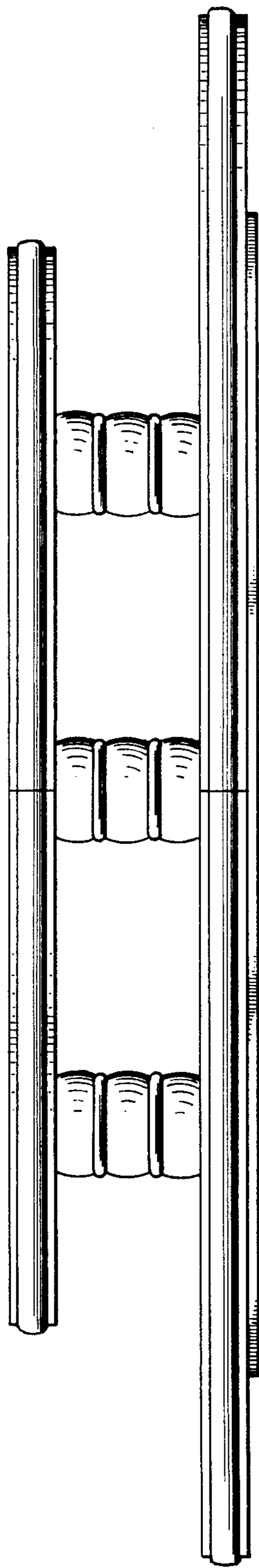


FIG. 4

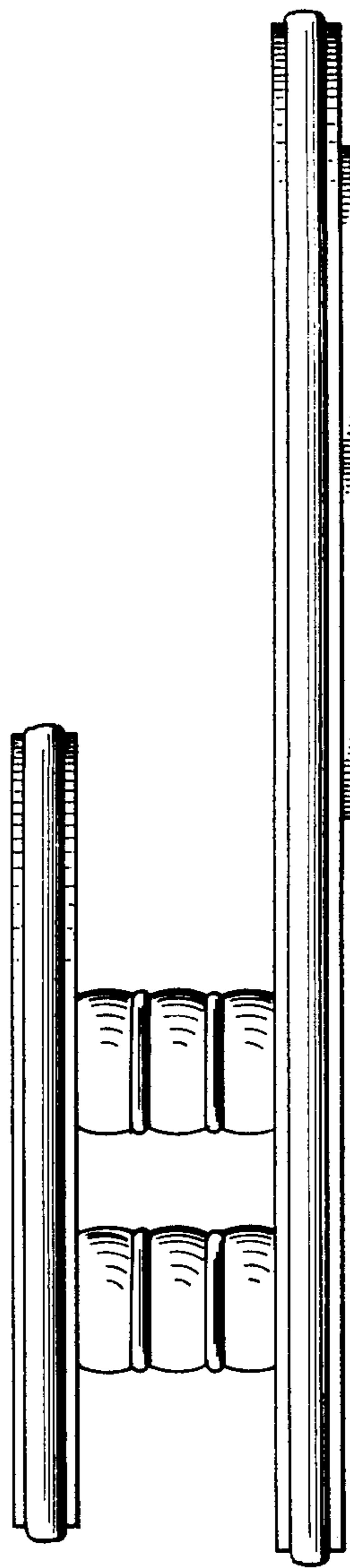


FIG. 5

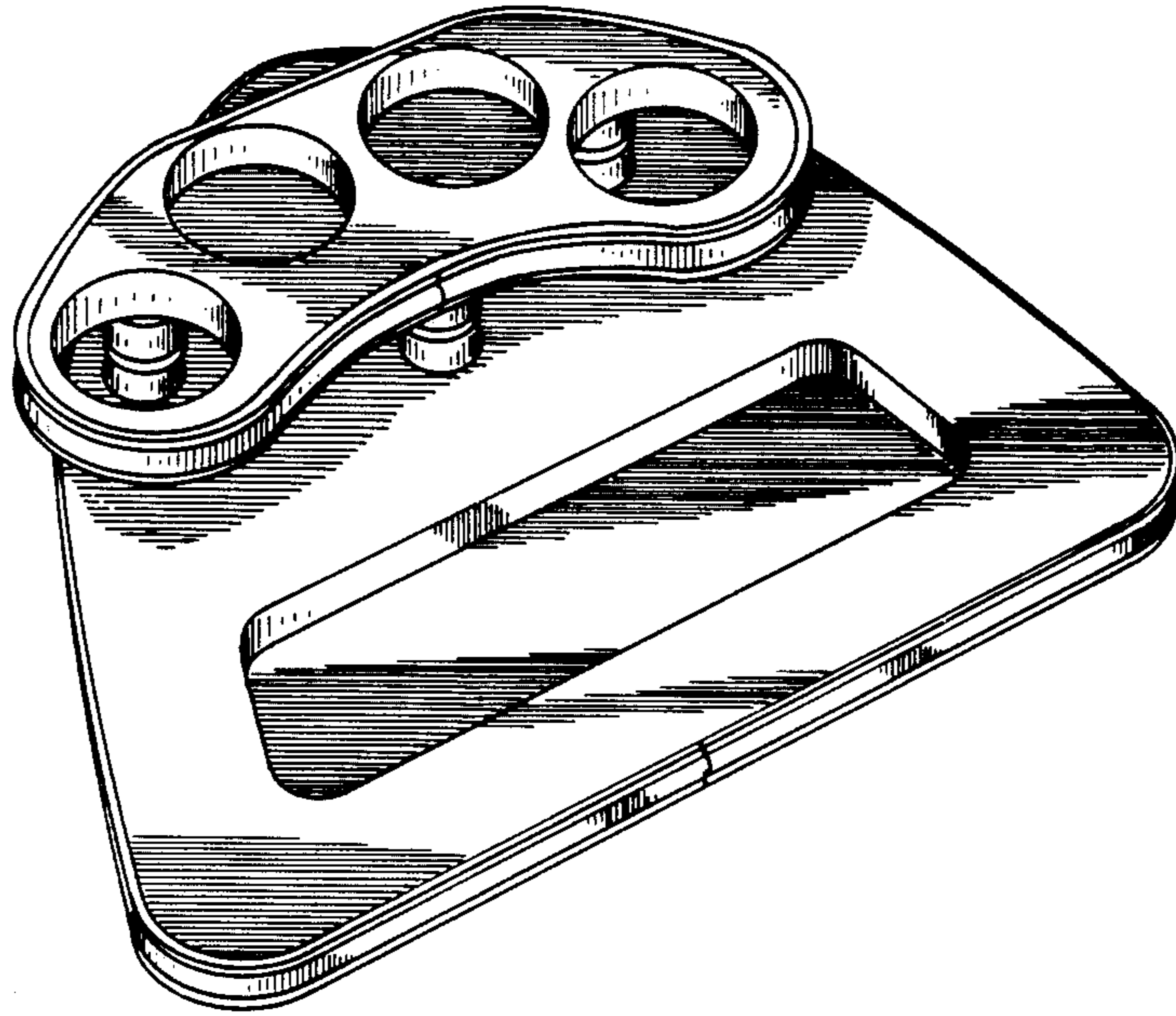


FIG. 6

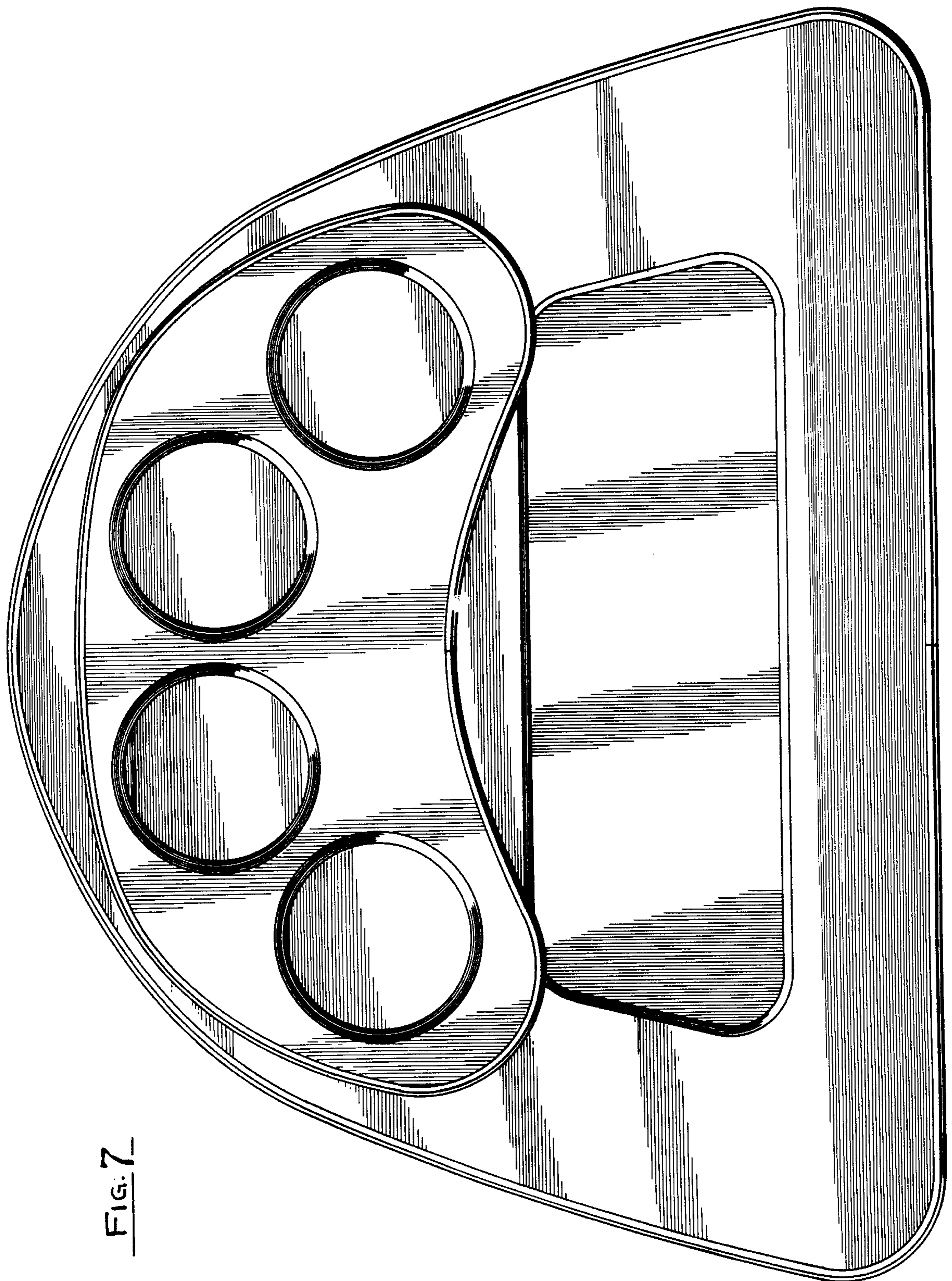


FIG. 7

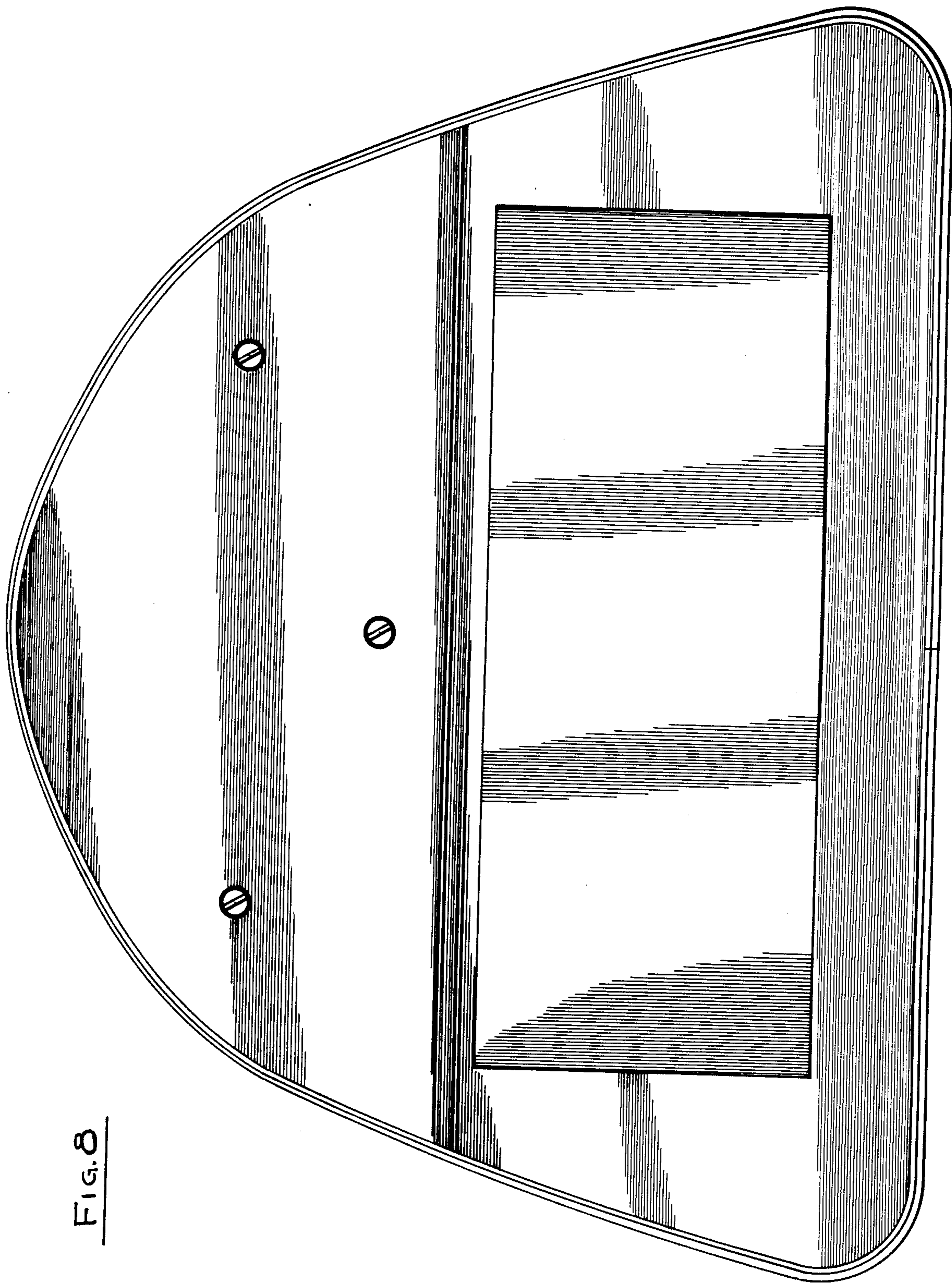


FIG. 8

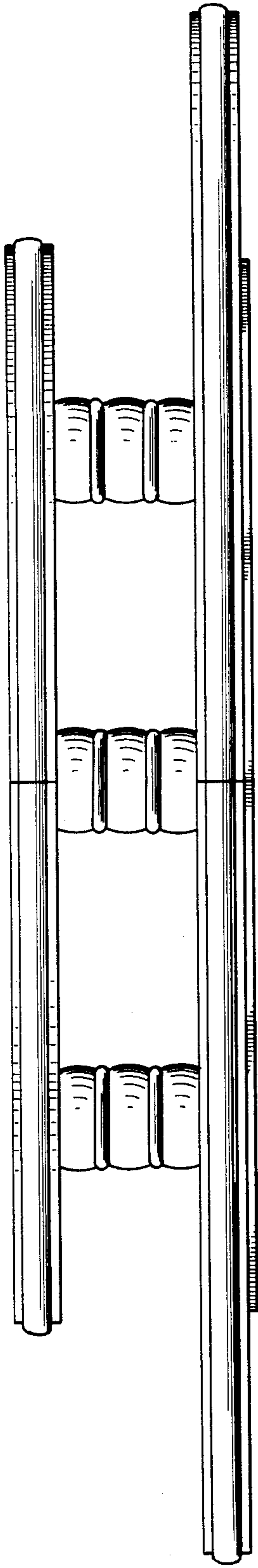


FIG. 9

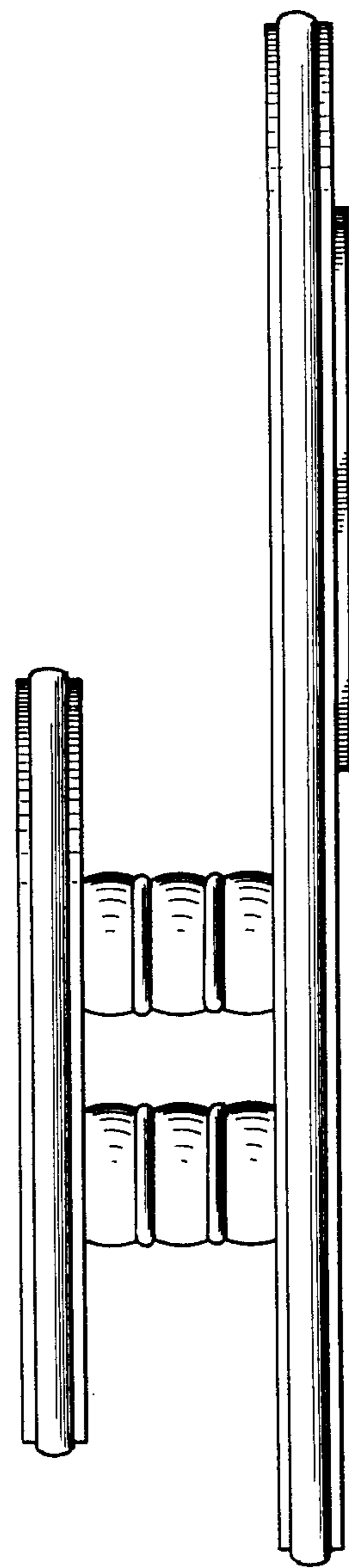


FIG. 10