

[54] SNACK TRAY

[76] Inventor: Frank Forselius, 12924 S. Main St., Los Angeles, Calif. 90061

[**] Term: 14 Years

[21] Appl. No.: 660,669

[22] Filed: Feb. 23, 1976

[51] Int. Cl. D7-99

[52] U.S. Cl. D7/38

[58] Field of Search D7/71, 70, 38, 37, 4; D9/185, 187, 184

[56] References Cited

U.S. PATENT DOCUMENTS

| | | | | |
|------------|--------|--------|-------|----------|
| D. 167,083 | 6/1952 | Karoff | | D7/38 |
| D. 169,817 | 6/1953 | Klein | | D7/21 |
| 3,792,775 | 2/1974 | Riddle | | 211/60 R |

OTHER PUBLICATIONS

H. Barrow Co. Inc., Hotel and Ship Supplies, 1947 Cat., Tx 912 B3 c.2, p. 151, top center, Bottle and Tumbler Rack.

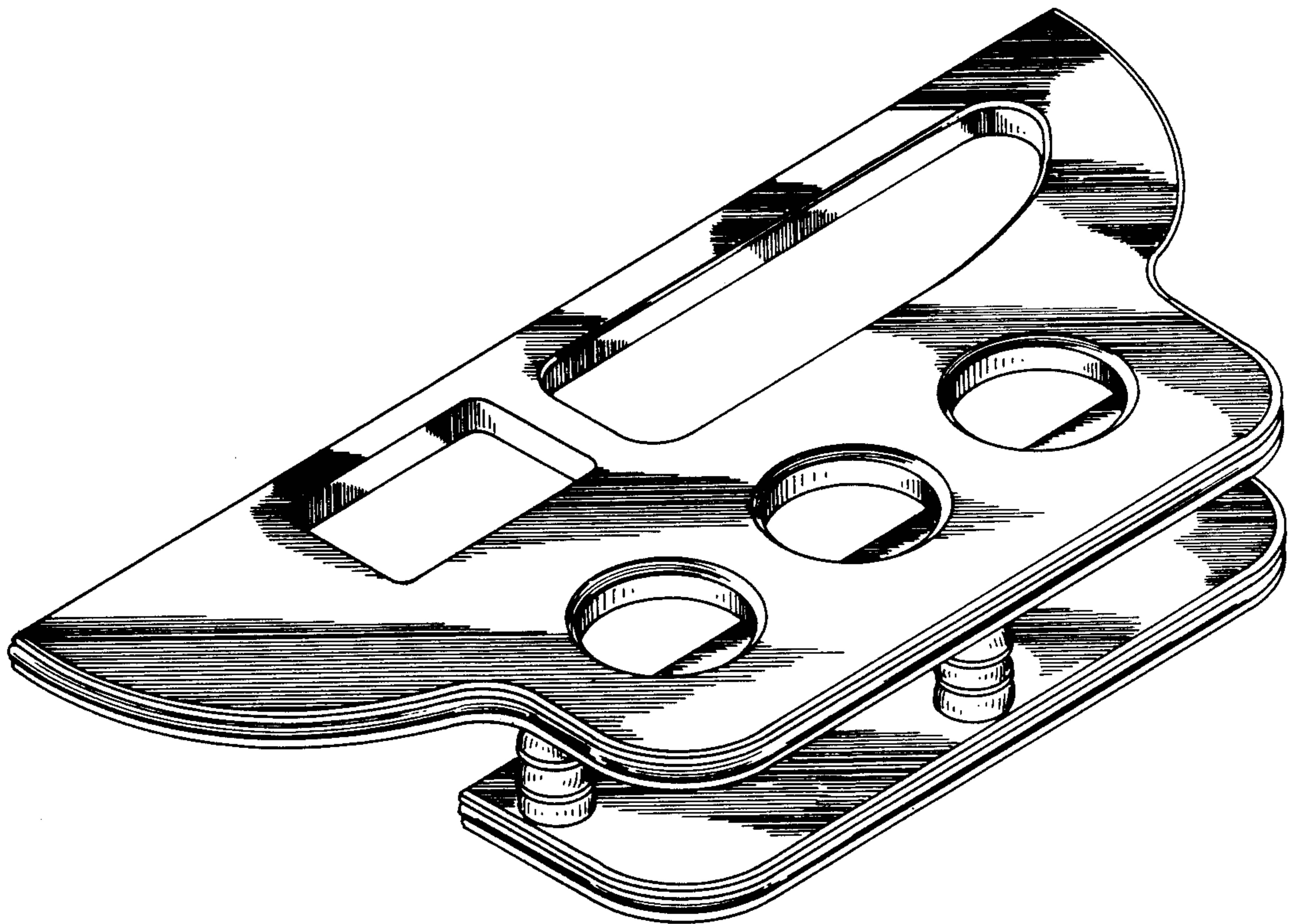
Primary Examiner—Winifred E. Herrmann
Attorney, Agent, or Firm—Edward A. Sokolski

[57] CLAIM

The ornamental design for a snack tray, as shown.

DESCRIPTION

FIG. 1 is a top plan view of the snack tray showing my new design;
FIG. 2 is a front elevation view of the snack tray;
FIG. 3 is a bottom plan view of the snack tray;
FIG. 4 is a rear elevation view of the snack tray;
FIG. 5 is a side elevation view of the snack tray; and
FIG. 6 is a perspective view of the snack tray.



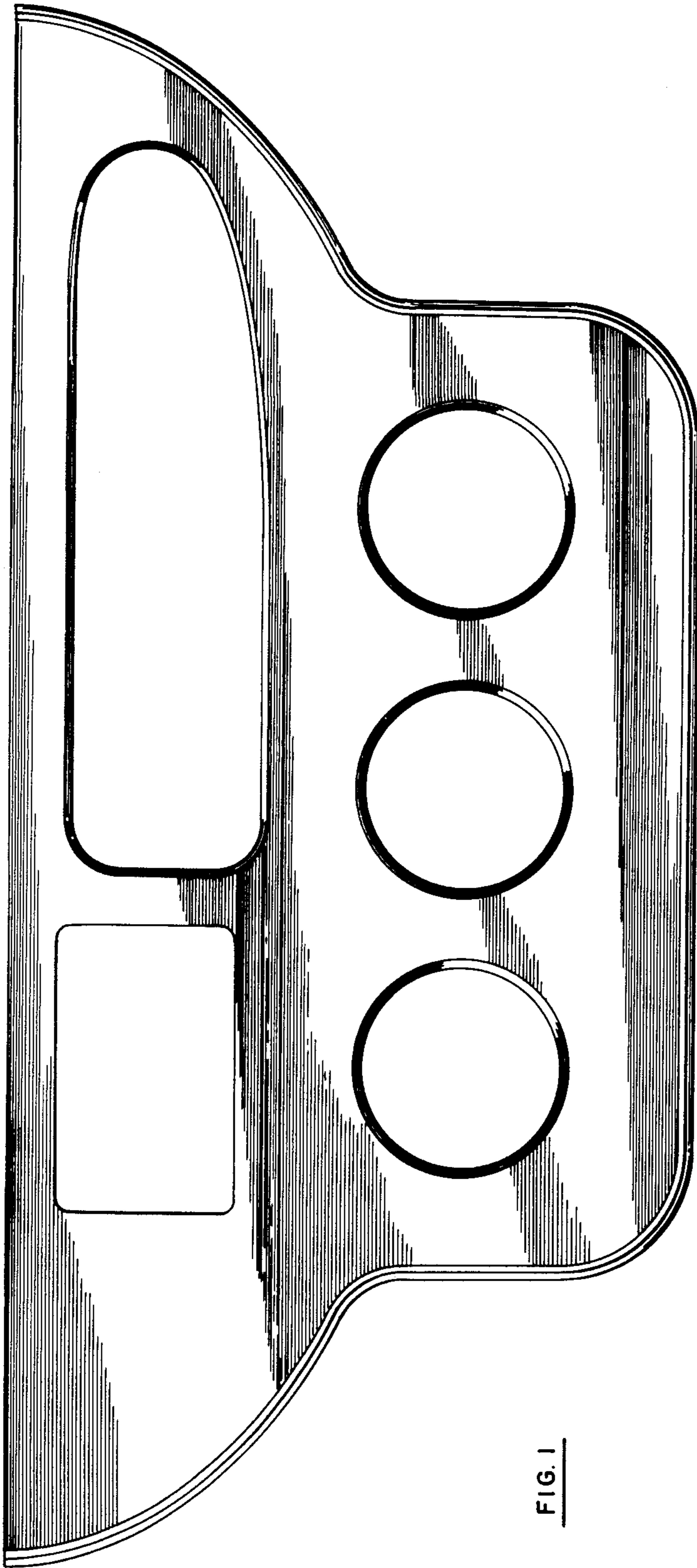


FIG. 1

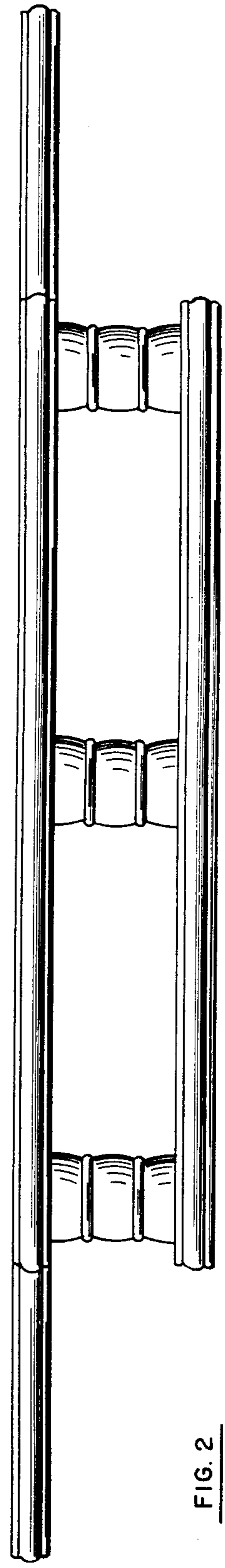


FIG. 2

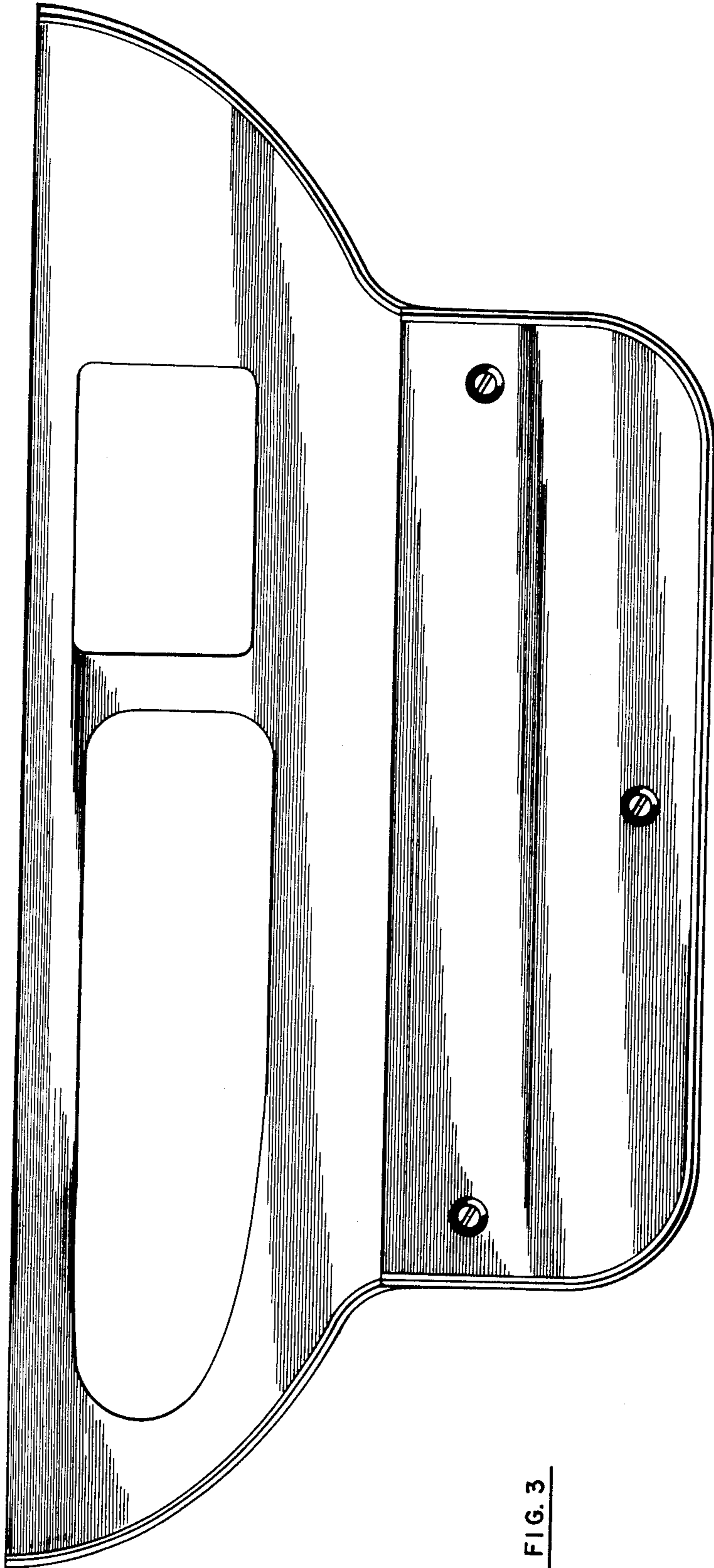


FIG. 3

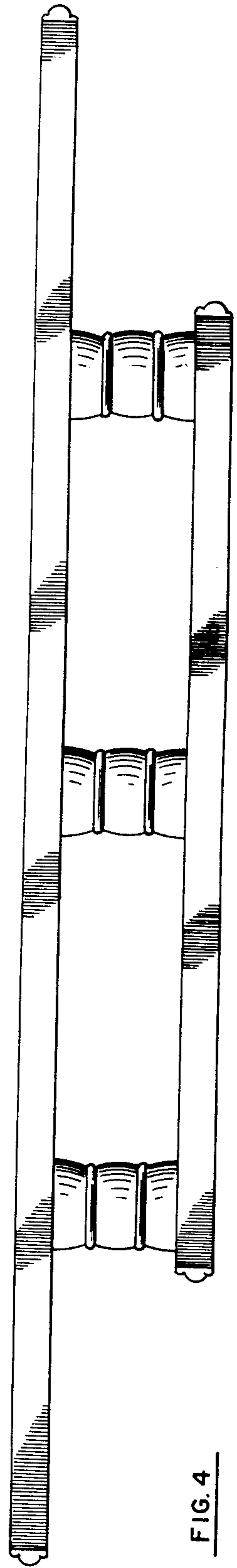


FIG. 4

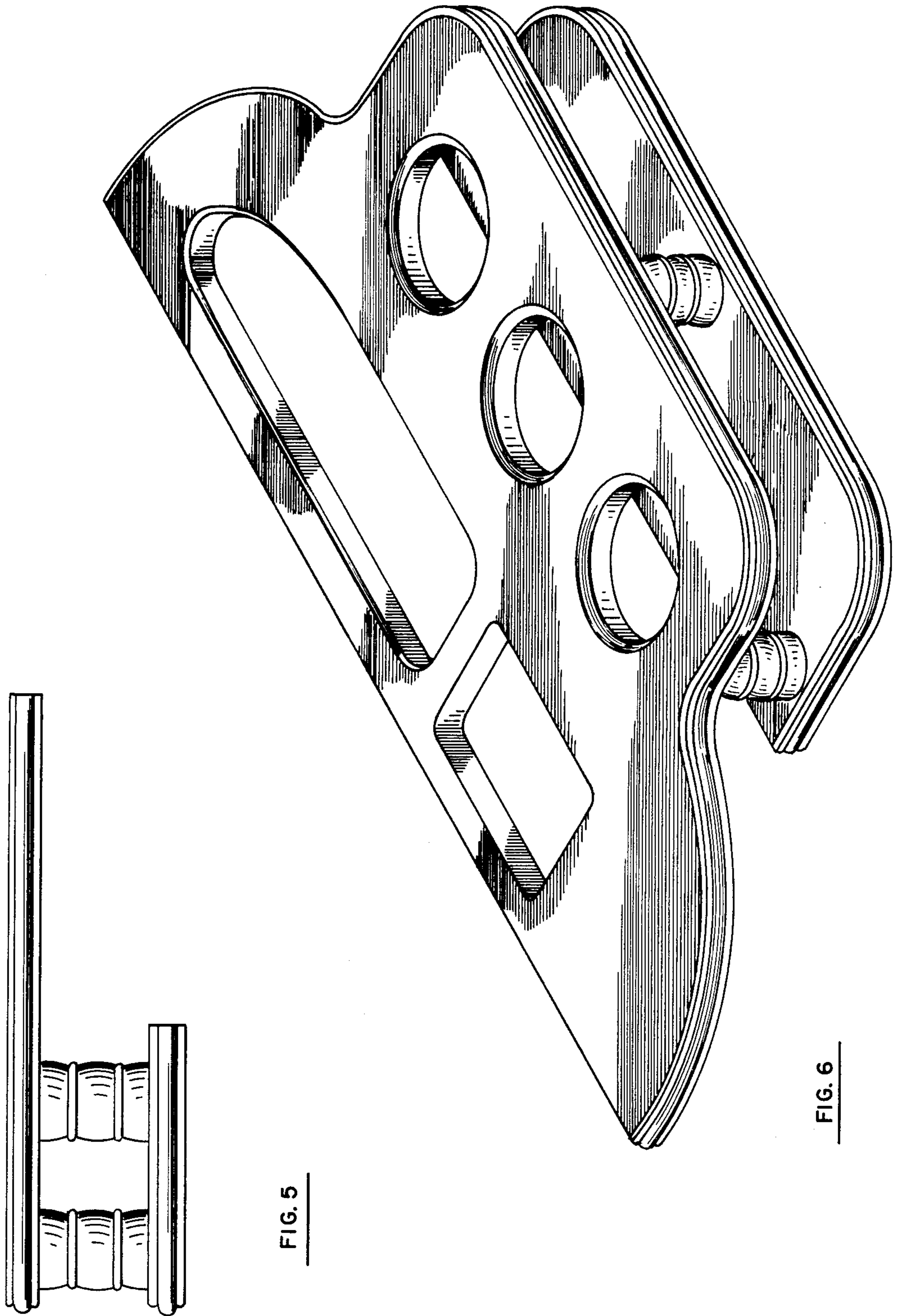


FIG. 5

FIG. 6