

[54] DENTAL CONSOLE

[75] Inventor: **Danny Michael Truette**, Pineville,
N.C.
[73] Assignee: **Pelton & Crane Company**, Charlotte,
N.C.

[**] Term: **14 Years**

[21] Appl. No.: **741,516**

[22] Filed: **Nov. 12, 1976**

[51] Int. Cl. **D24-01**
[52] U.S. Cl. **D24/4**
[58] Field of Search **D24/1 B, 4, 5; 32/22;**
312/209

[56]

References Cited

U.S. PATENT DOCUMENTS

3,217,412	11/1965	Pascente	32/22
3,346,957	10/1967	Maurer et al.	32/22
D. 197,062	12/1963	Turner	D24/1 B
D. 224,536	8/1972	Gardella et al.	D24/1 B
D. 225,230	11/1972	Kretschmer	D24/1 B

Primary Examiner—Bernard Ansher
Attorney, Agent, or Firm—Samuel G. Layton, Jr.

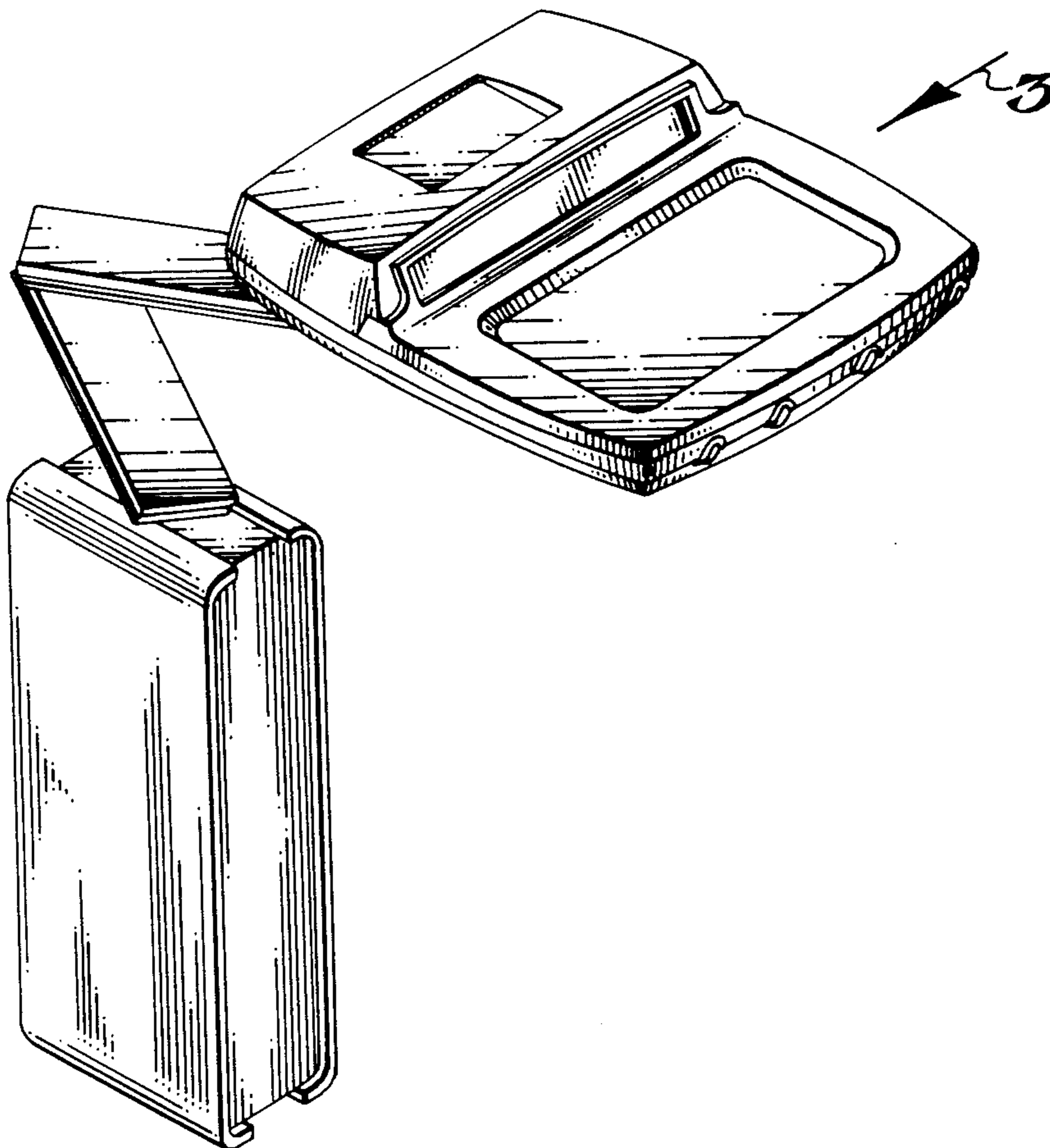
[57]

CLAIM

The ornamental design for a dental console, substantially as shown and described.

DESCRIPTION

FIG. 1 is a front perspective view of the dental console showing my new design;
FIG. 2 is a back perspective view of the dental console of FIG. 1; and
FIG. 3 is a side elevational view of the dental console of FIG. 1 and taken at the Arrow 3 of FIG. 1.



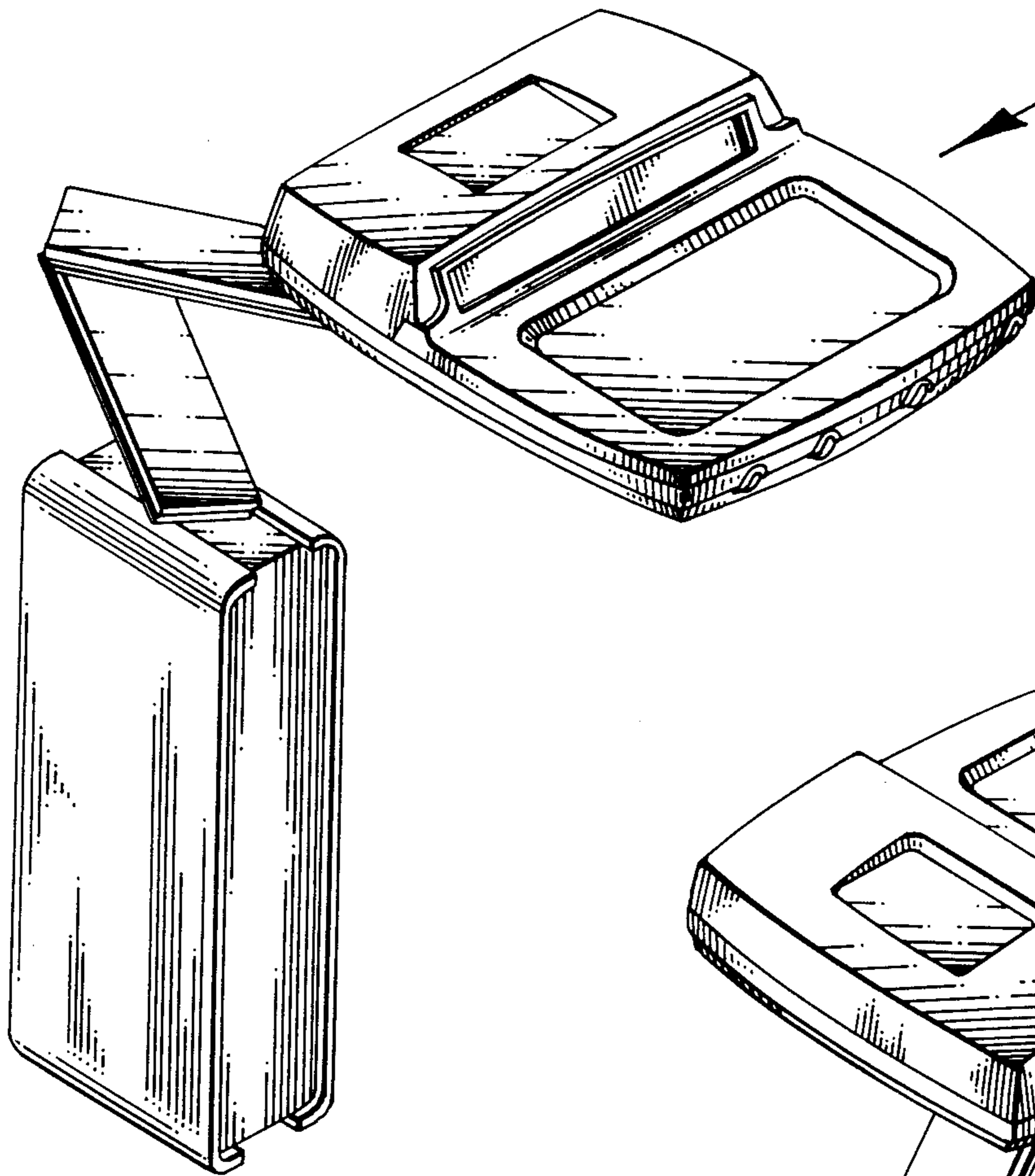


FIG-1

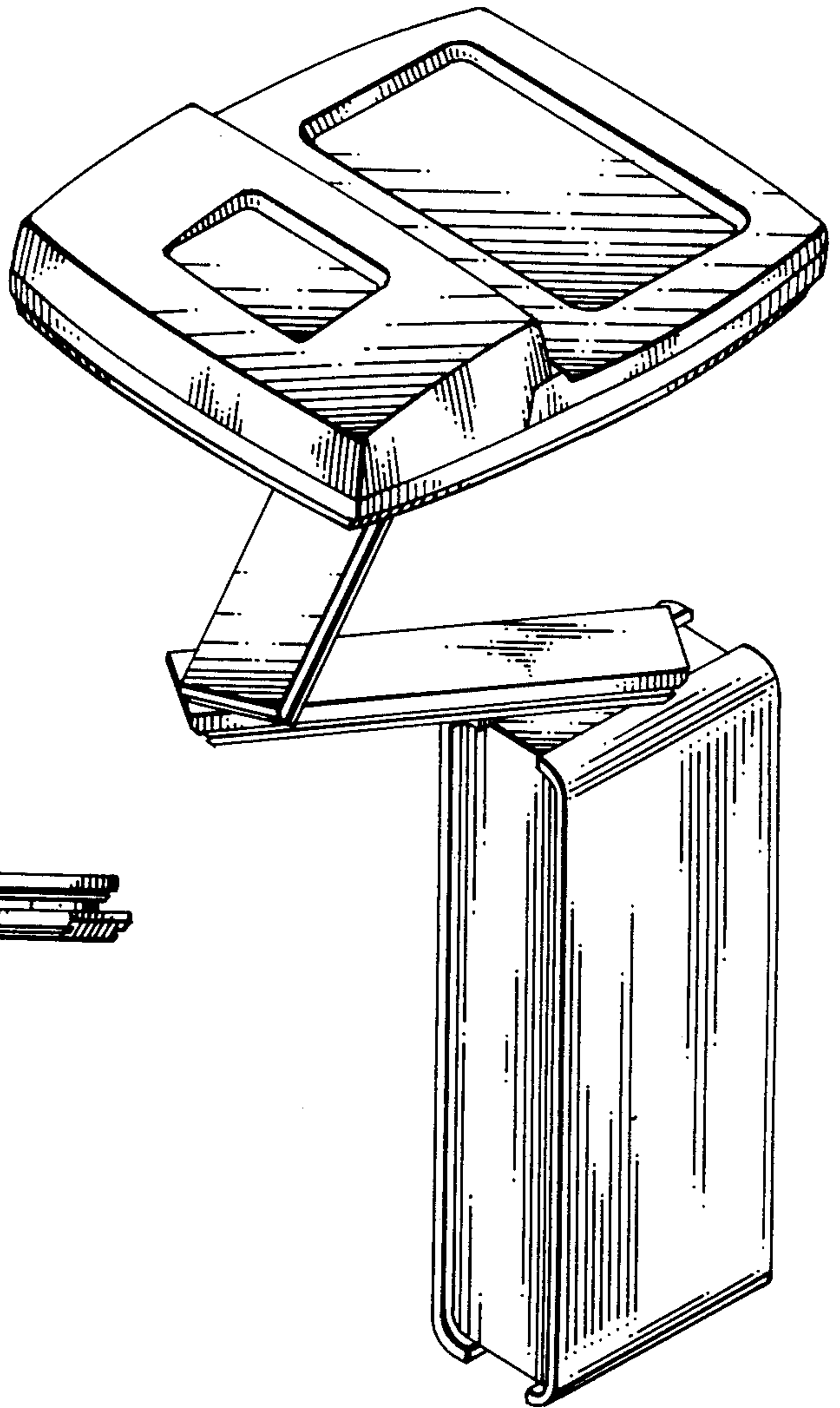


FIG-2

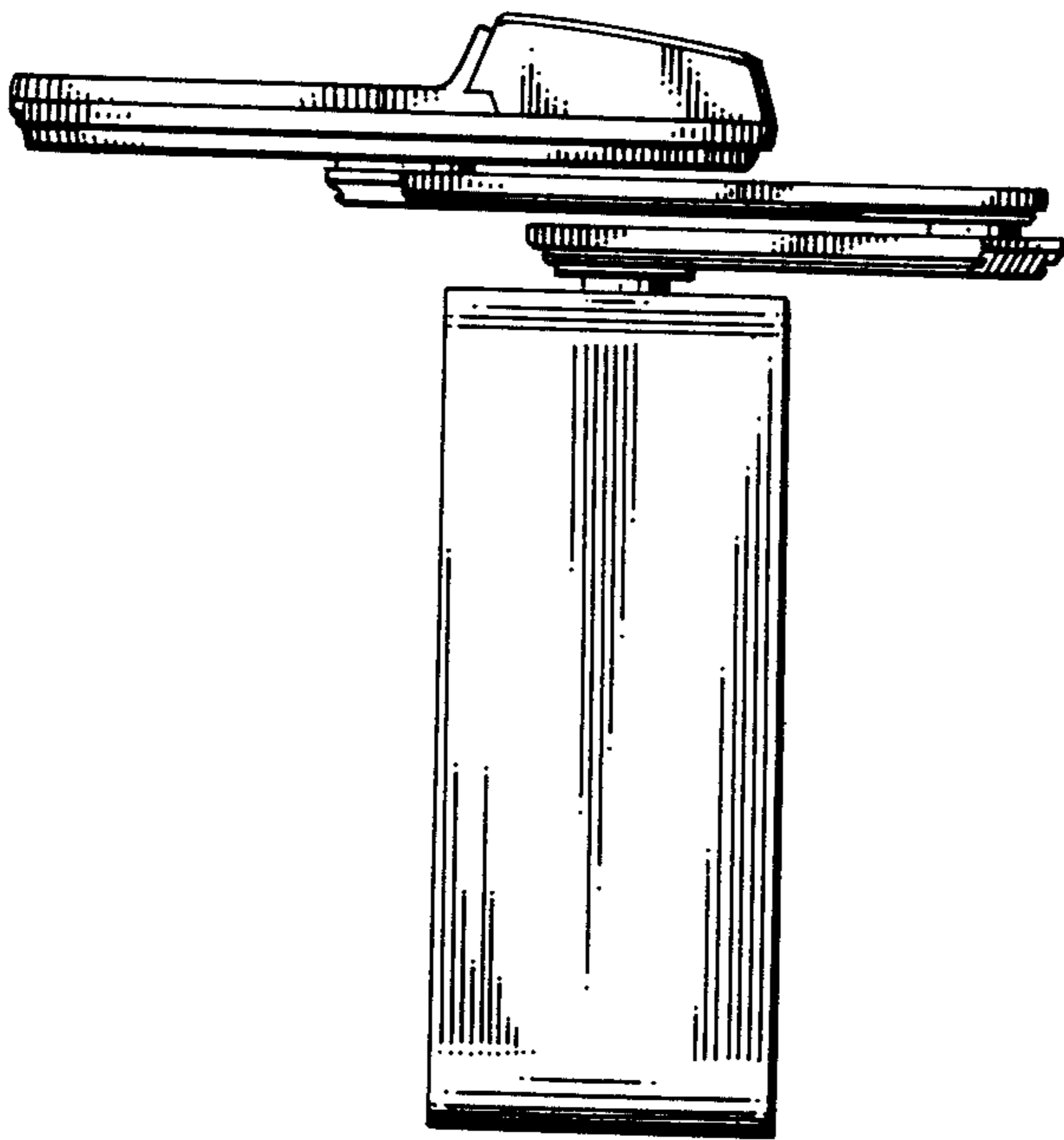


FIG-3