

[54] DENTAL CONSOLE  
 [75] Inventor: Danny Michael Truette, Pineville, N.C.  
 [73] Assignee: Pelton & Crane Company, Charlotte, N.C.  
 [\*\*] Term: 14 Years  
 [21] Appl. No.: 741,364  
 [22] Filed: Nov. 12, 1976  
 [51] Int. Cl. .... D24-01  
 [52] U.S. Cl. .... D24/4  
 [58] Field of Search ..... D24/1 B, 4; 32/22; 312/209

D. 224,536 8/1972 Gardella et al. .... D24/1 B  
 D. 225,230 11/1972 Kretschmer ..... D24/1 B

Primary Examiner—Bernard Ansher  
 Attorney, Agent, or Firm—Samuel G. Layton, Jr.

[57] CLAIM

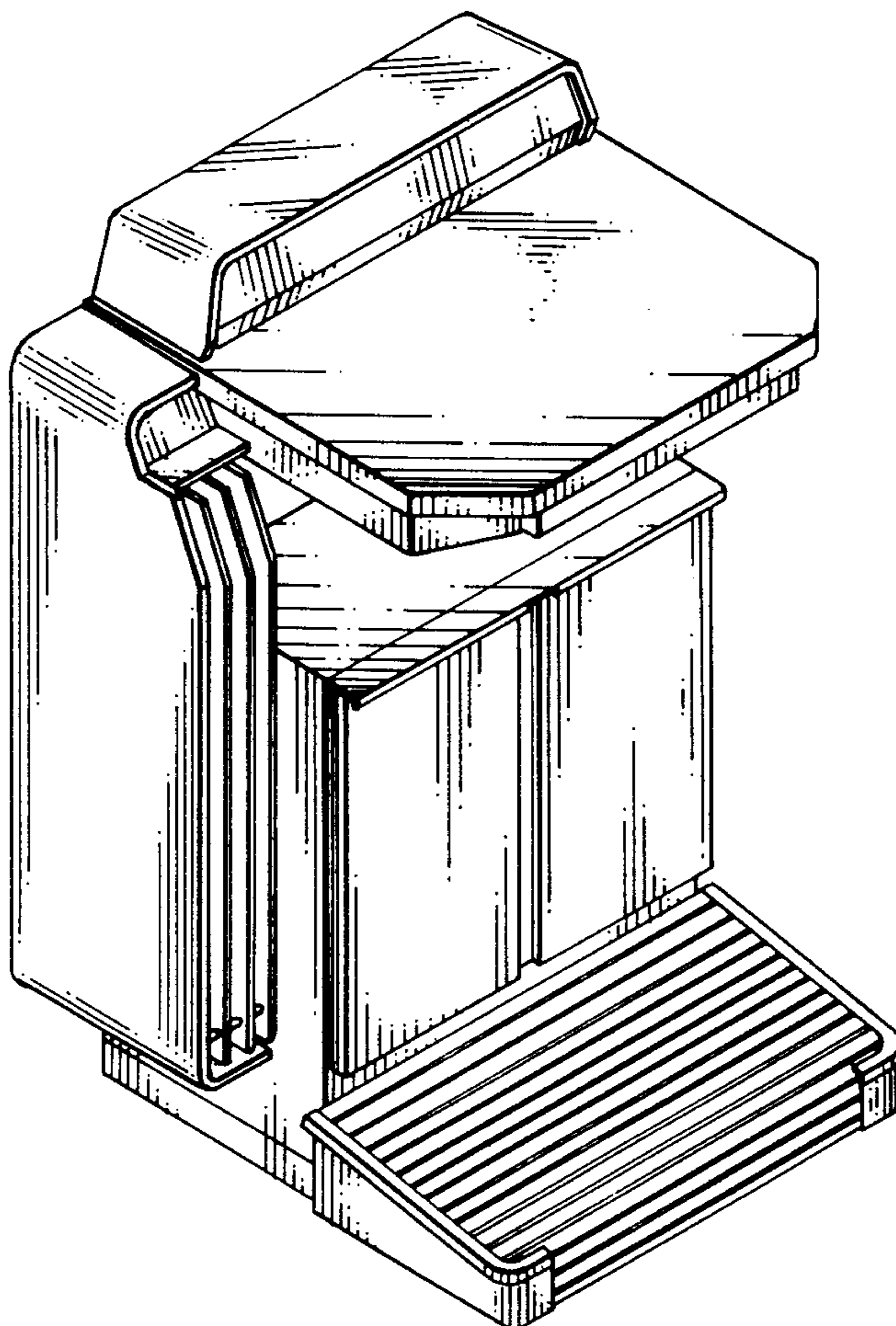
The ornamental design for a dental console, substantially as shown and described.

DESCRIPTION

FIG. 1 is a front perspective view taken generally from one side of the dental console showing my new design; FIG. 2 is a front elevational view of the dental console of FIG. 1; FIG. 3 is a side elevational view of one side of the dental console of FIG. 1; FIG. 4 is a front perspective view taken generally from the other side of the dental console of FIG. 1; FIG. 5 is a top plan view of the dental console of FIG. 1 and 4; and FIG. 6 is a side elevational view of the other side of the dental console of FIG. 4.

[56] References Cited  
 U.S. PATENT DOCUMENTS

3,217,412	11/1965	Pascente .....	32/22
3,280,458	10/1966	Deeley, Jr. et al. ....	32/22
3,346,957	10/1967	Maurer et al. ....	32/22
3,455,620	7/1969	Coburn .....	32/22 X



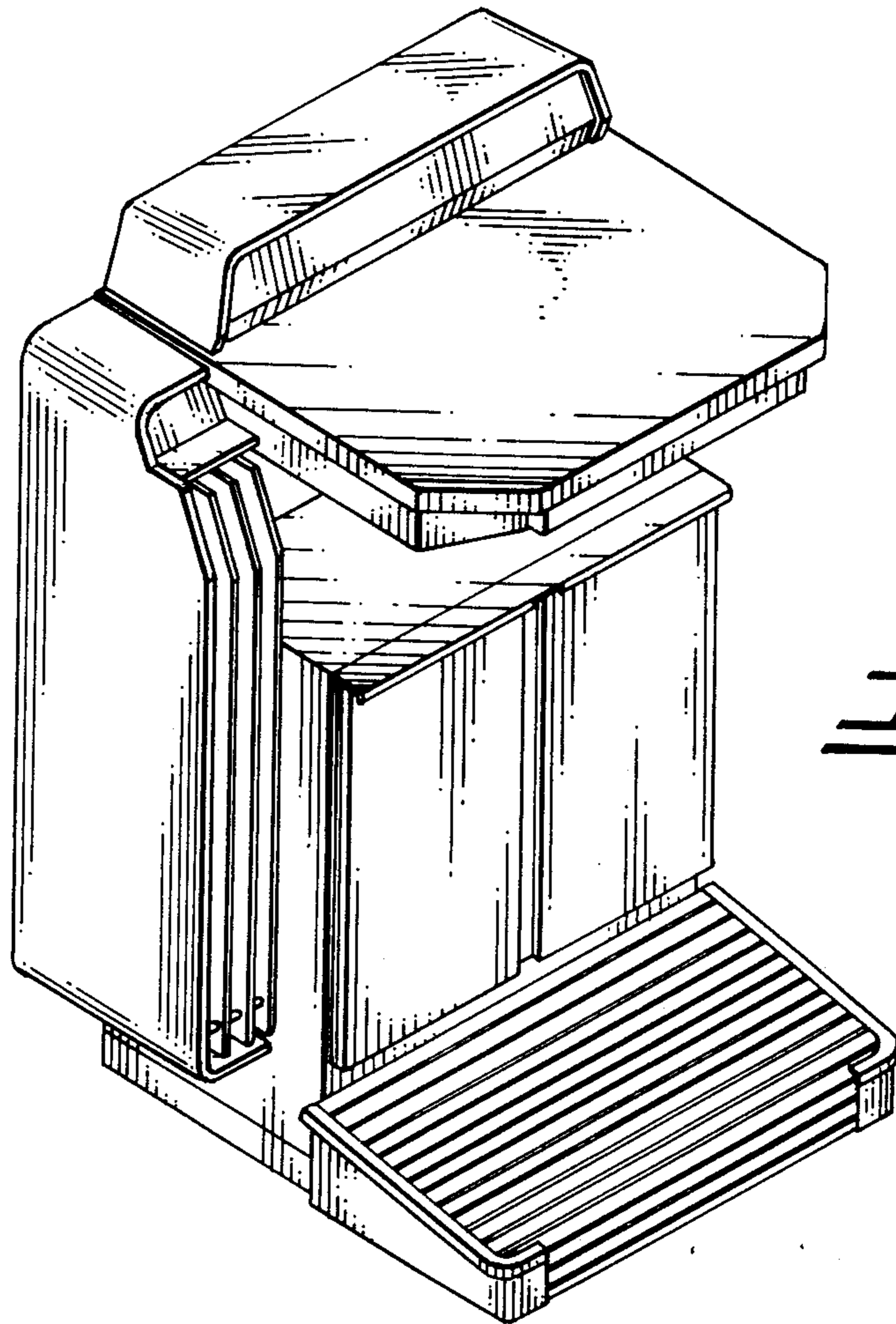


FIG-1

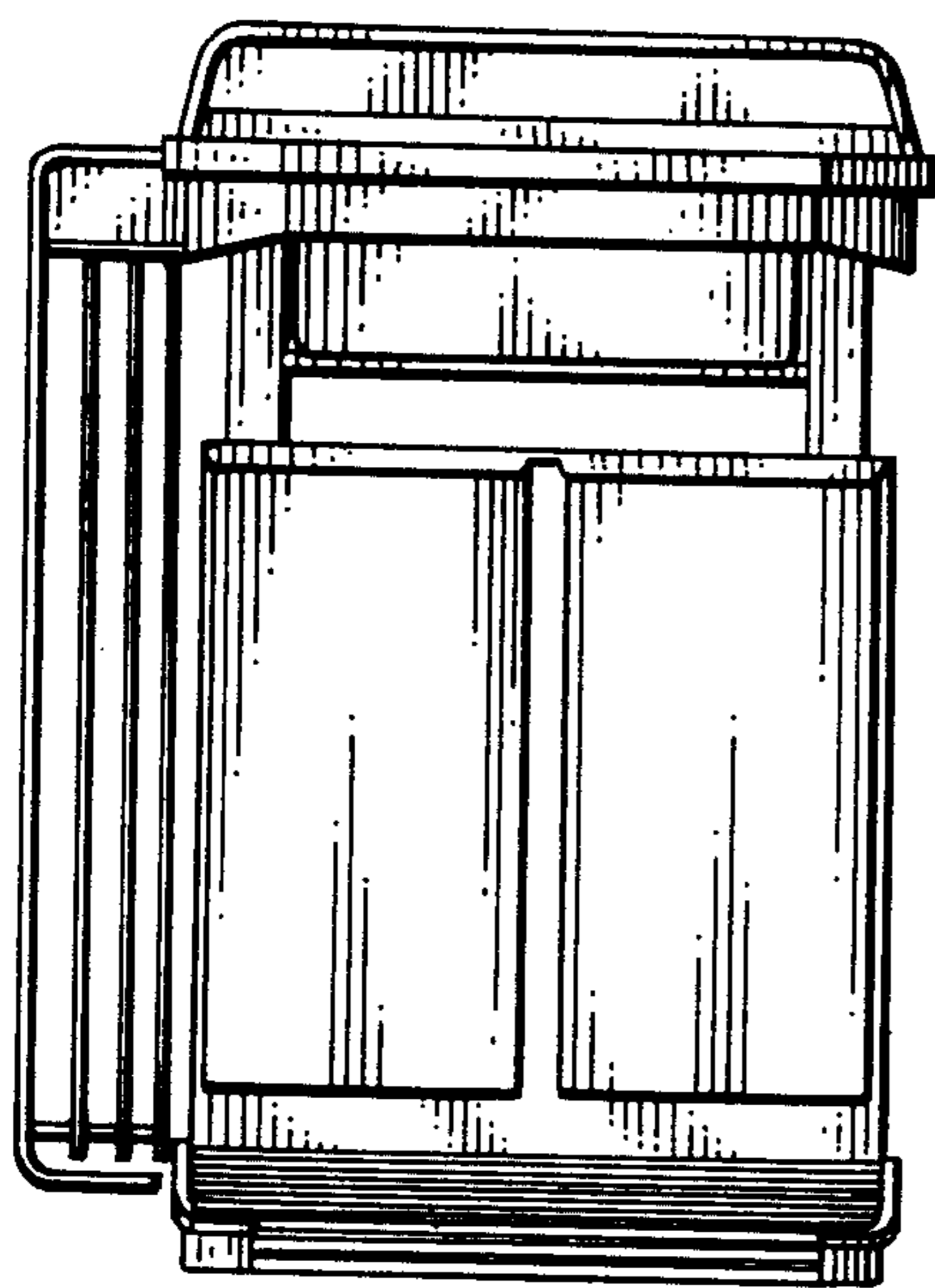


FIG-2

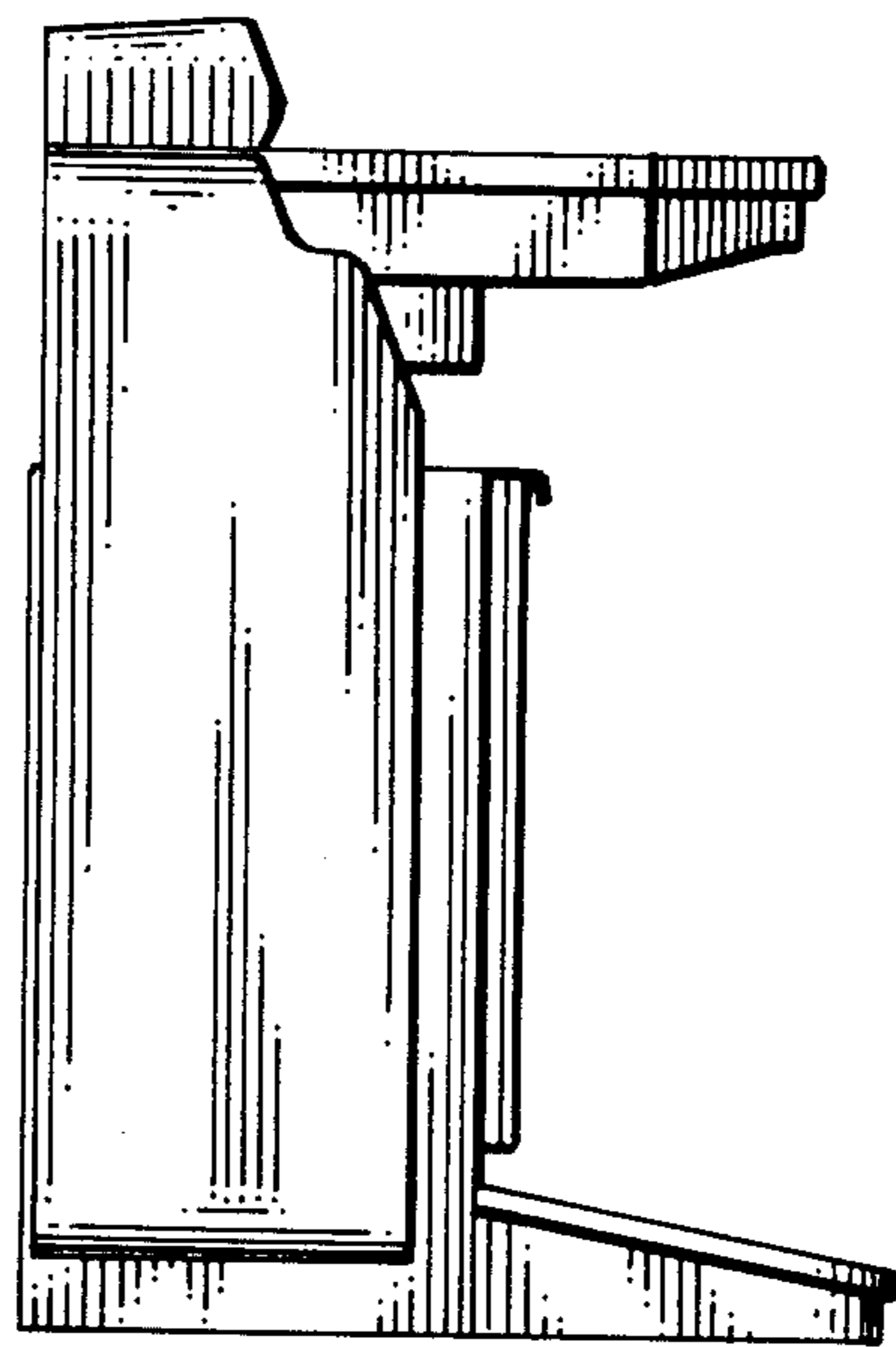


FIG-3

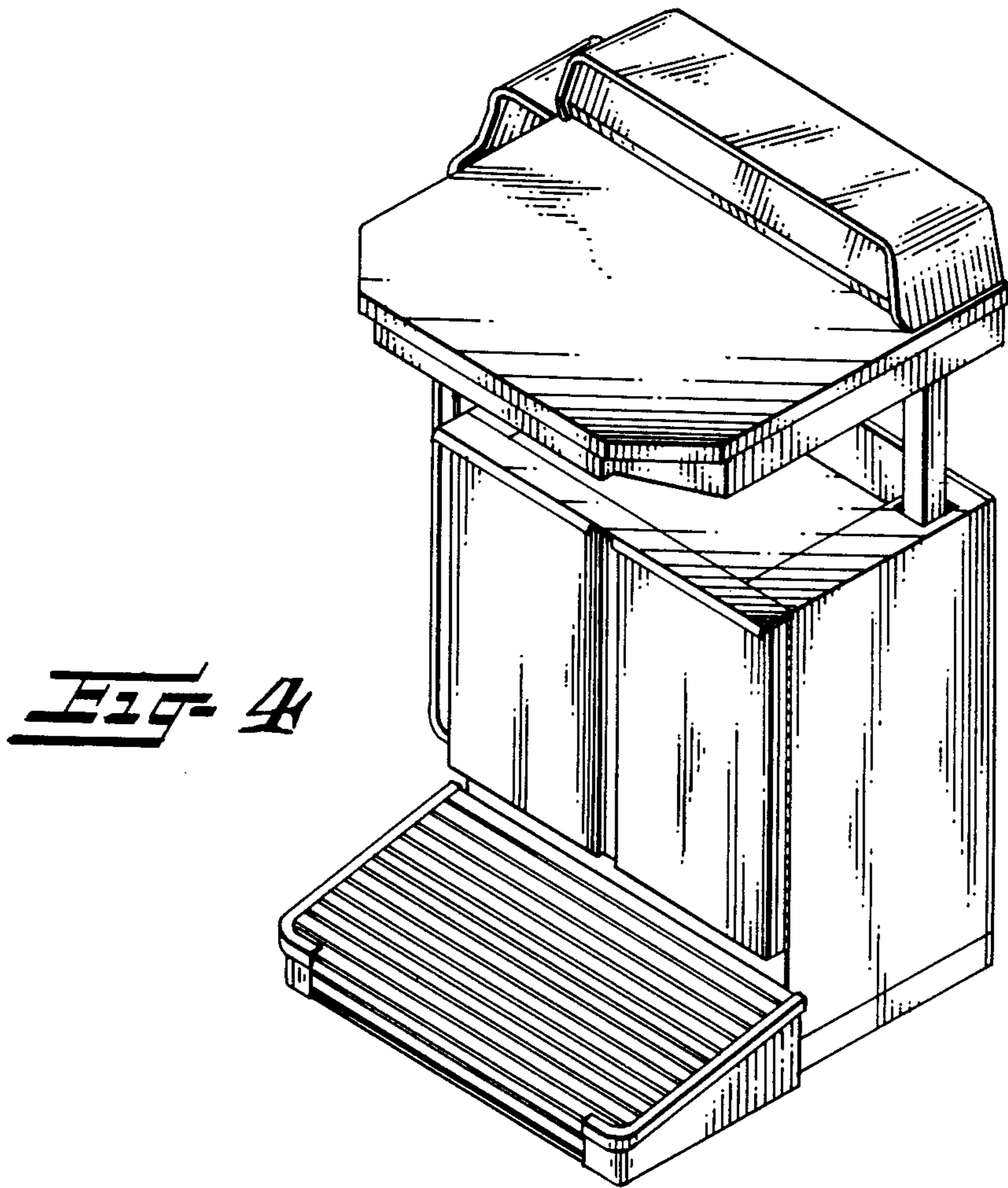


FIG-4

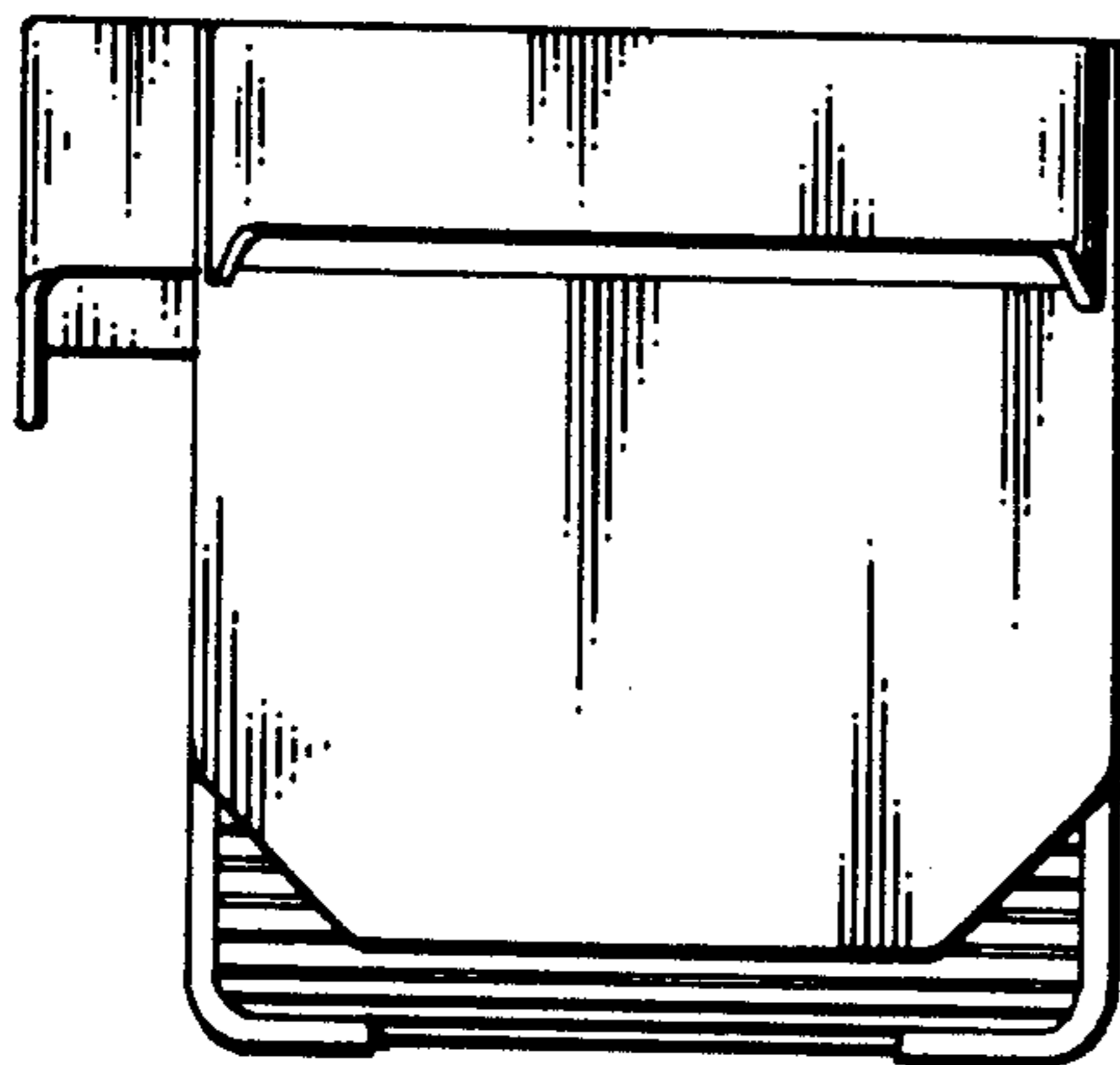


FIG-5

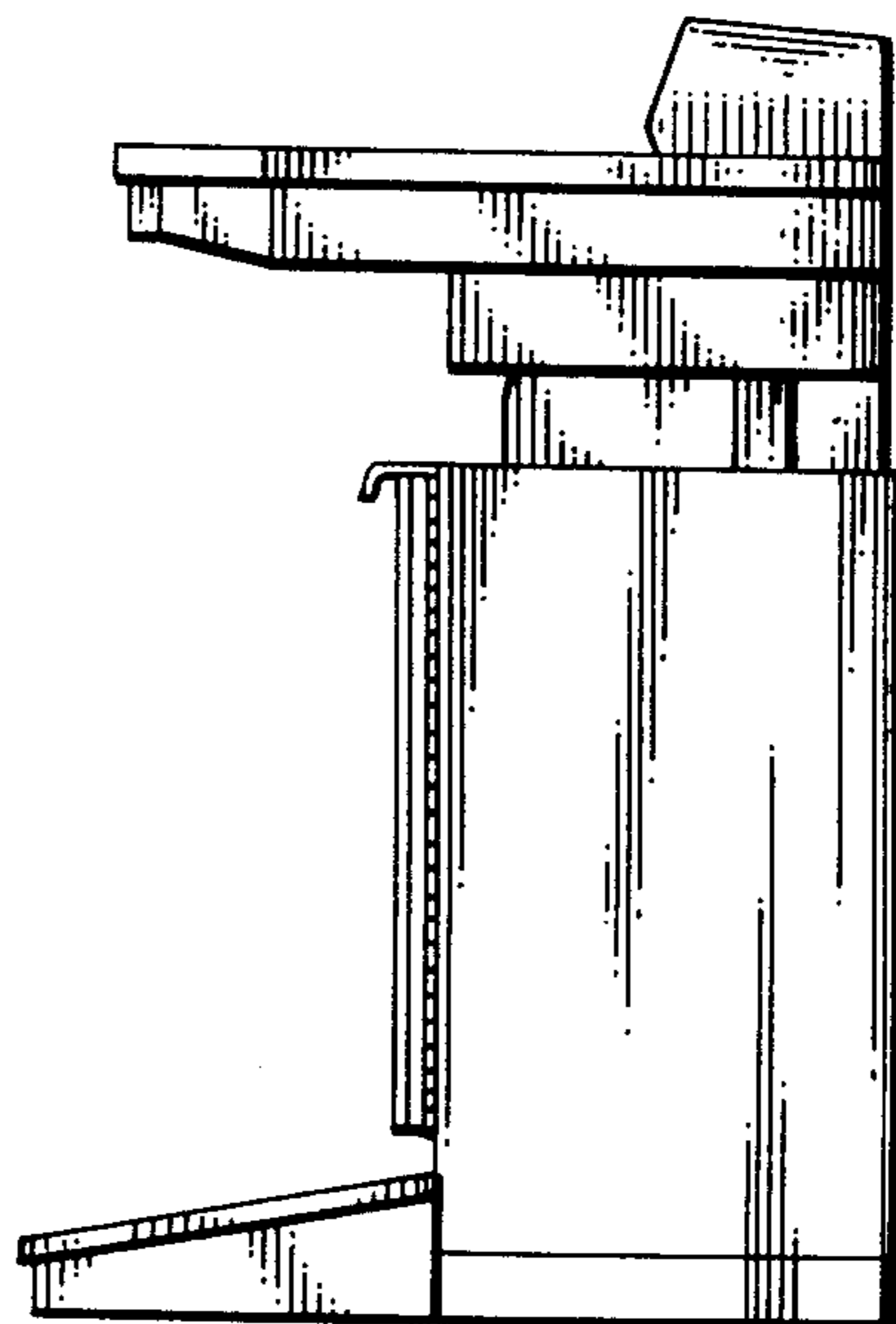


FIG-6