

[54] DENTAL CONSOLE

[75] Inventor: Danny Michael Truette, Pineville, N.C.

[73] Assignee: Pelton & Crane Company, Charlotte, N.C.

[**] Term: 14 Years

[21] Appl. No.: 741,361

[22] Filed: Nov. 12, 1976

[51] Int. Cl. D24-01

[52] U.S. Cl. D24/4

[58] Field of Search D24/1 B, 4, 5; 32/22; 312/209

[56] References Cited

U.S. PATENT DOCUMENTS

3,217,412	11/1965	Pascente	D24/1 B
3,280,458	10/1966	Deeley, Jr. et al.	32/22
3,346,957	10/1967	Maurer et al.	32/22
3,455,620	7/1969	Coburn	312/209

D. 224,536	8/1972	Gardella et al.	D24/1 B
D. 225,230	11/1972	Kretschmer	D24/1 B

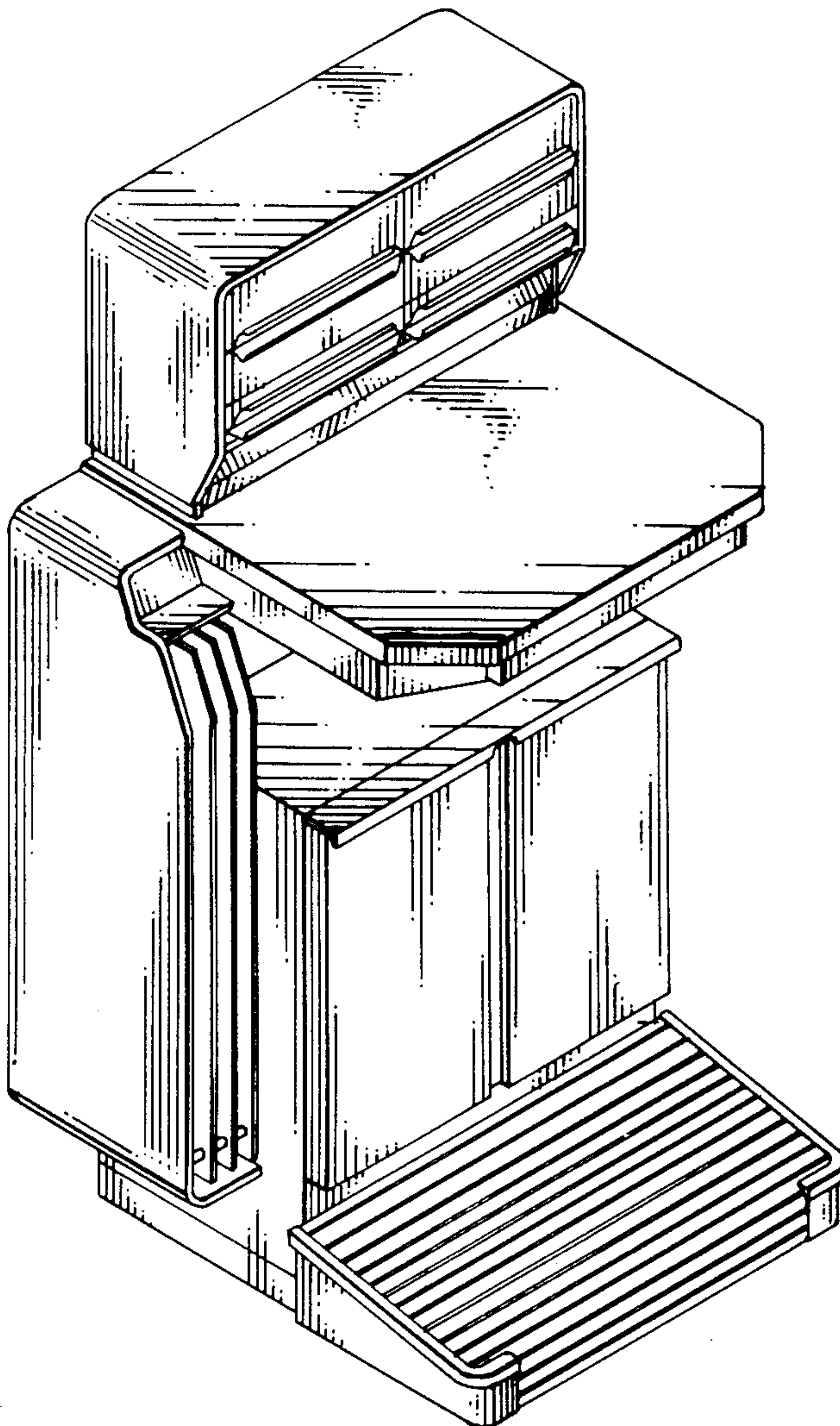
Primary Examiner—Bernard Ansher
Attorney, Agent, or Firm—Samuel G. Layton, Jr.

[57] CLAIM

The ornamental design for a dental console, substantially as shown and described.

DESCRIPTION

FIG. 1 is a front perspective view taken generally from one side of the dental console showing my new design; FIG. 2 is a front elevational view of the dental console of FIG. 1; FIG. 3 is a side elevational view of one side of the dental console of FIG. 1; FIG. 4 is a front perspective view taken generally from the other side of the dental console of FIG. 1; FIG. 5 is a top plan view of the dental console of FIGS. 1 and 4; and FIG. 6 is a side elevational view of the other side of the dental console of FIG. 4.



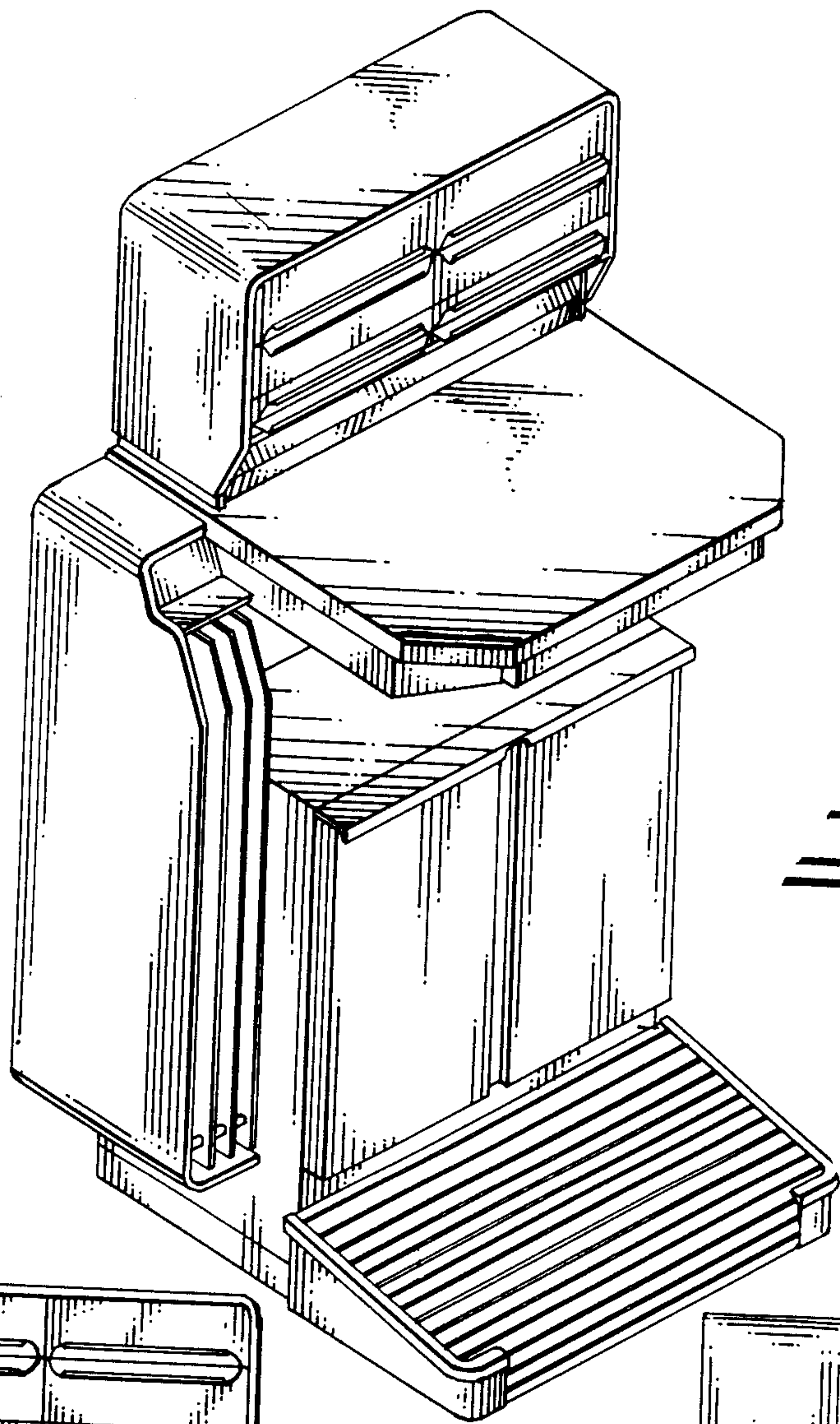


Fig-1

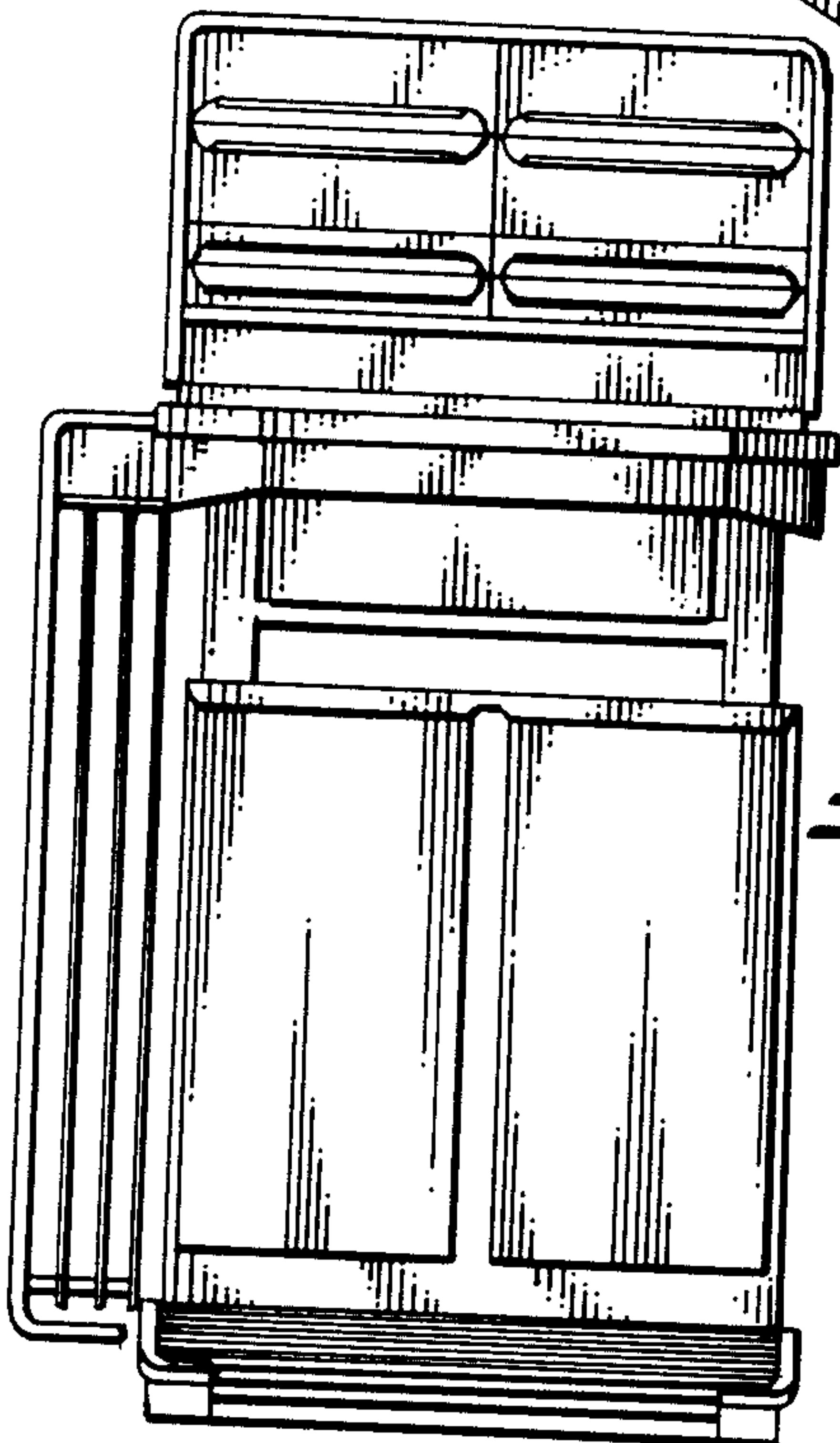


Fig-2

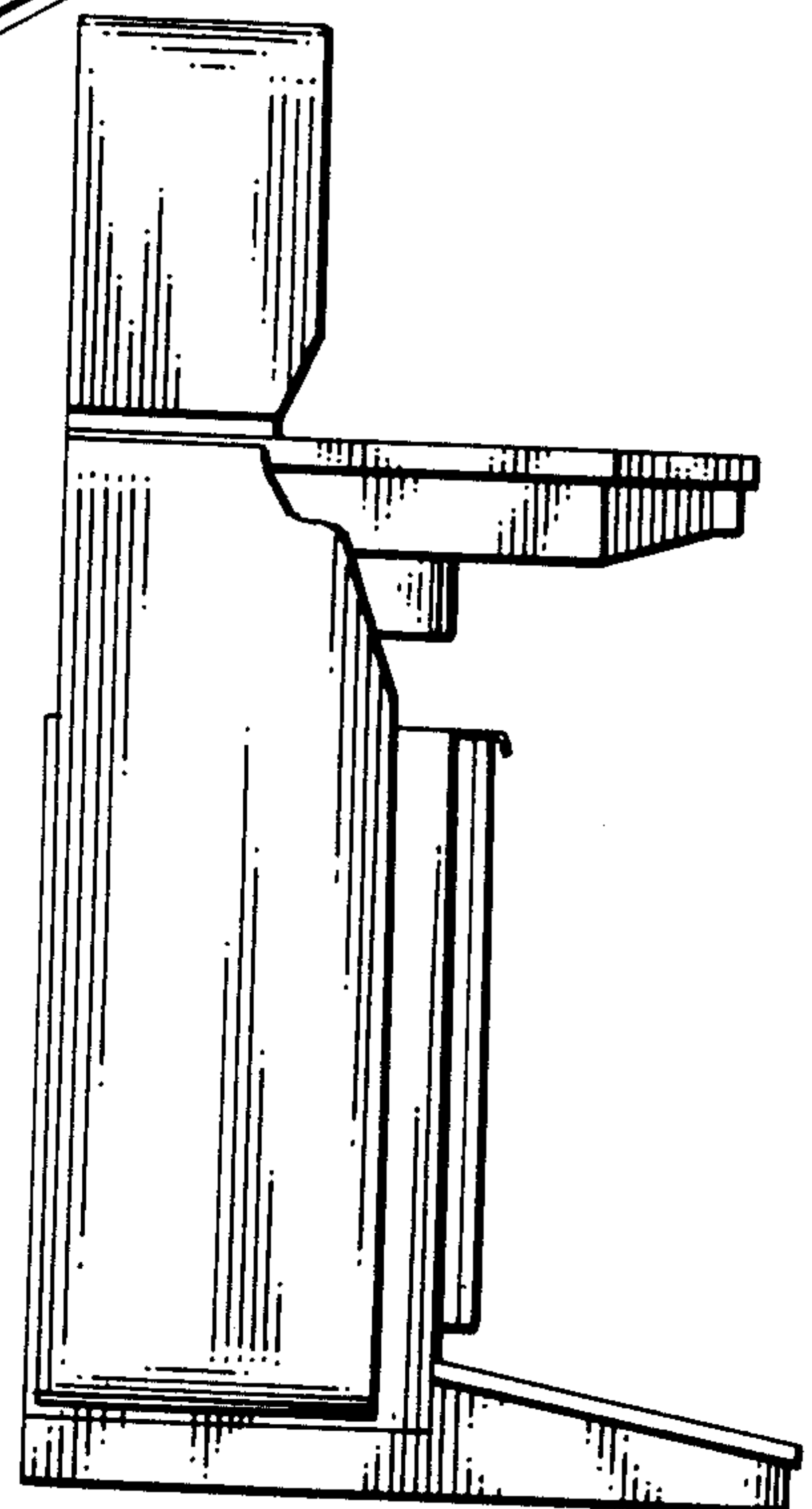


Fig-3

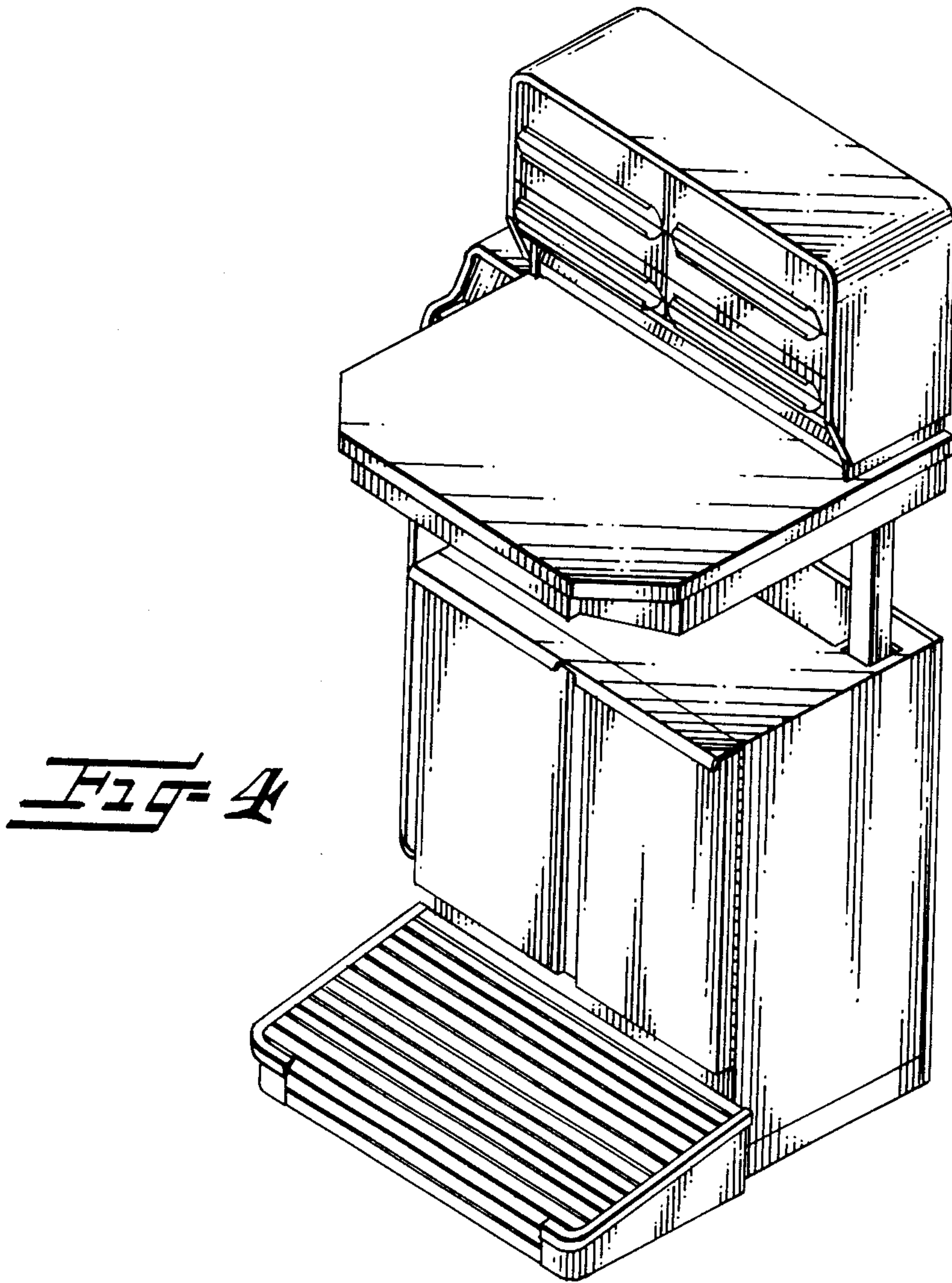


Fig-4

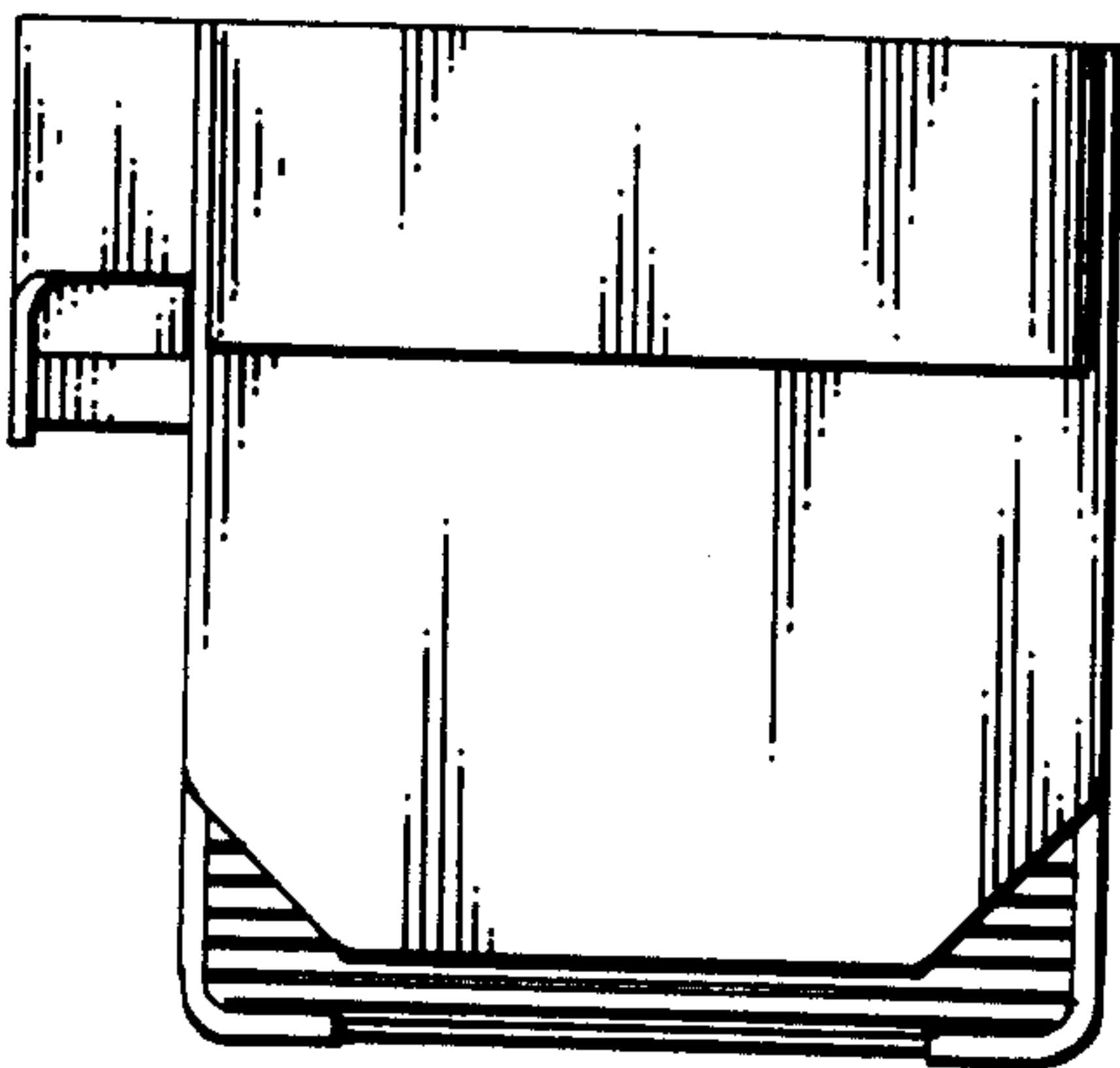


Fig-5

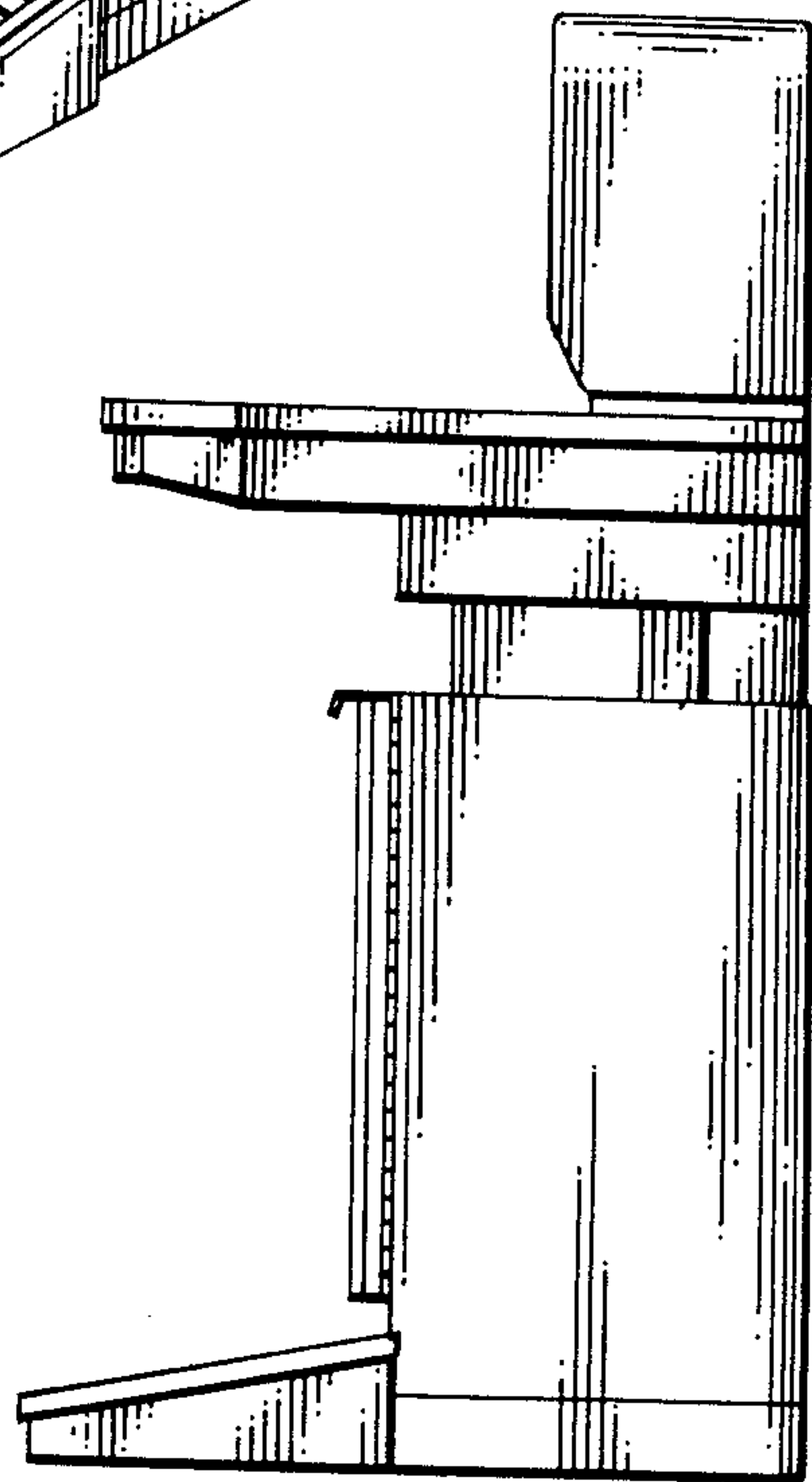


Fig-6