

[54] HEATER

[75] Inventor: Hans-Ulrich Schade, Pfuhl, Germany

[73] Assignee: Firma Elektro-Warme Technik, Nurnberg, Germany

[\*\*] Term: 14 Years

[21] Appl. No.: 604,612

[22] Filed: Aug. 8, 1975

[51] Int. Cl. .... D23-03

[52] U.S. Cl. .... D23/122

[58] Field of Search ..... D23/72, 122, 123, 124; 219/366, 367, 368, 369, 370, 377

[56] References Cited

U.S. PATENT DOCUMENTS

3,702,918	11/1972	Moller	.....	219/370
3,846,617	11/1974	Glucksman	.....	219/370
D. 155,243	9/1949	Sundberg	.....	D23/122
D. 199,008	8/1964	Marshall	.....	D23/124

D. 203,785	2/1966	Meisner	.....	D23/123
D. 227,571	7/1973	Cook	.....	D23/122

OTHER PUBLICATIONS

Washington Post, Oct. 24, 1973, p. A-14, Flowtron Heater/Cooler.

Primary Examiner—James R. Largen

[57] CLAIM

The ornamental design for a heater, as shown.

DESCRIPTION

FIG. 1 is a perspective view of a heater showing my new design;

FIG. 2 is a front elevational view thereof;

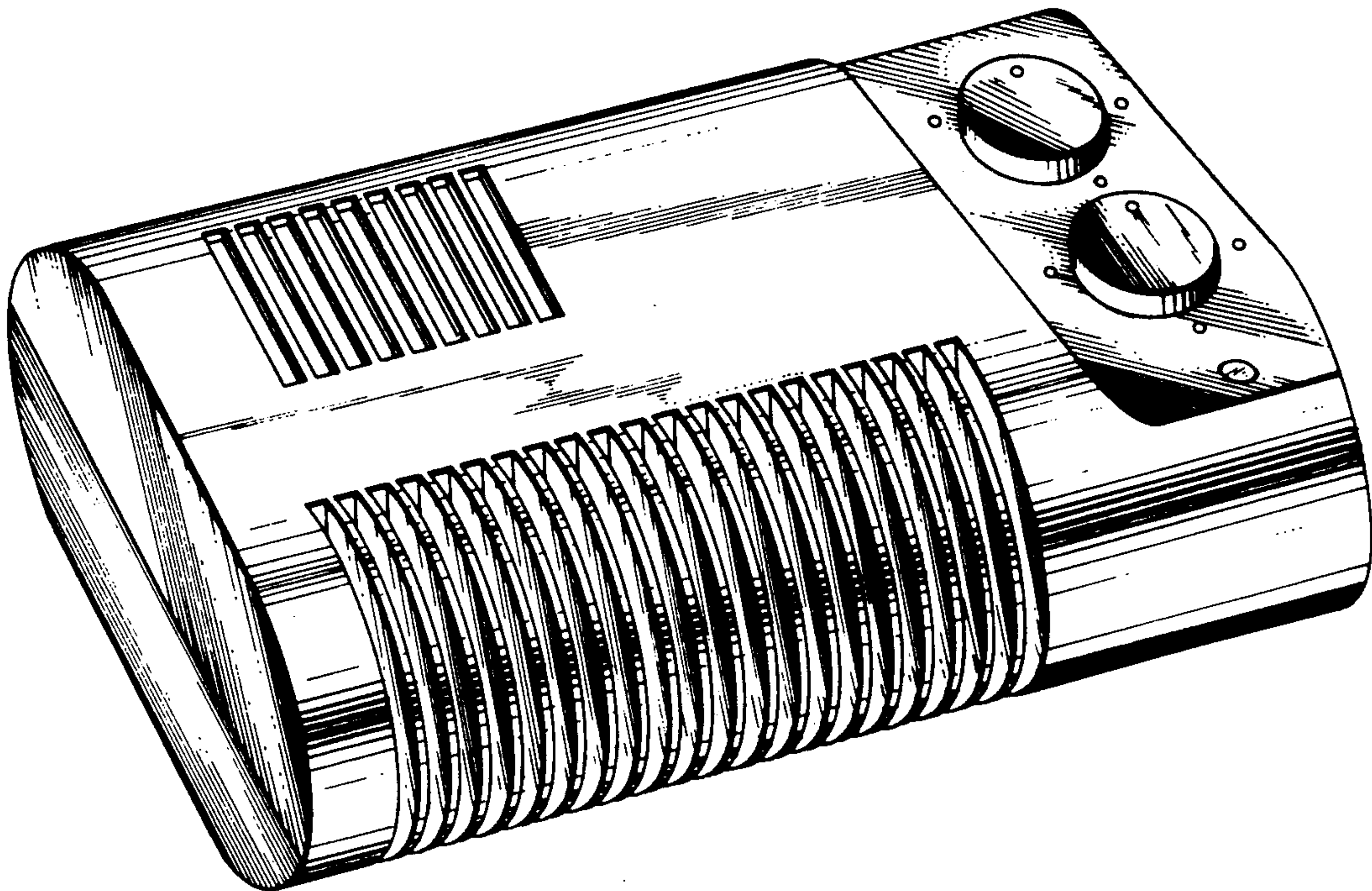
FIG. 3 is a rear elevational view thereof;

FIG. 4 is a bottom plan view thereof;

FIG. 5 is a top plan view thereof;

FIG. 6 is a side elevational view thereof, taken from the left of FIG. 1; and

FIG. 7 is a side elevational view thereof, taken from the right of FIG. 1.



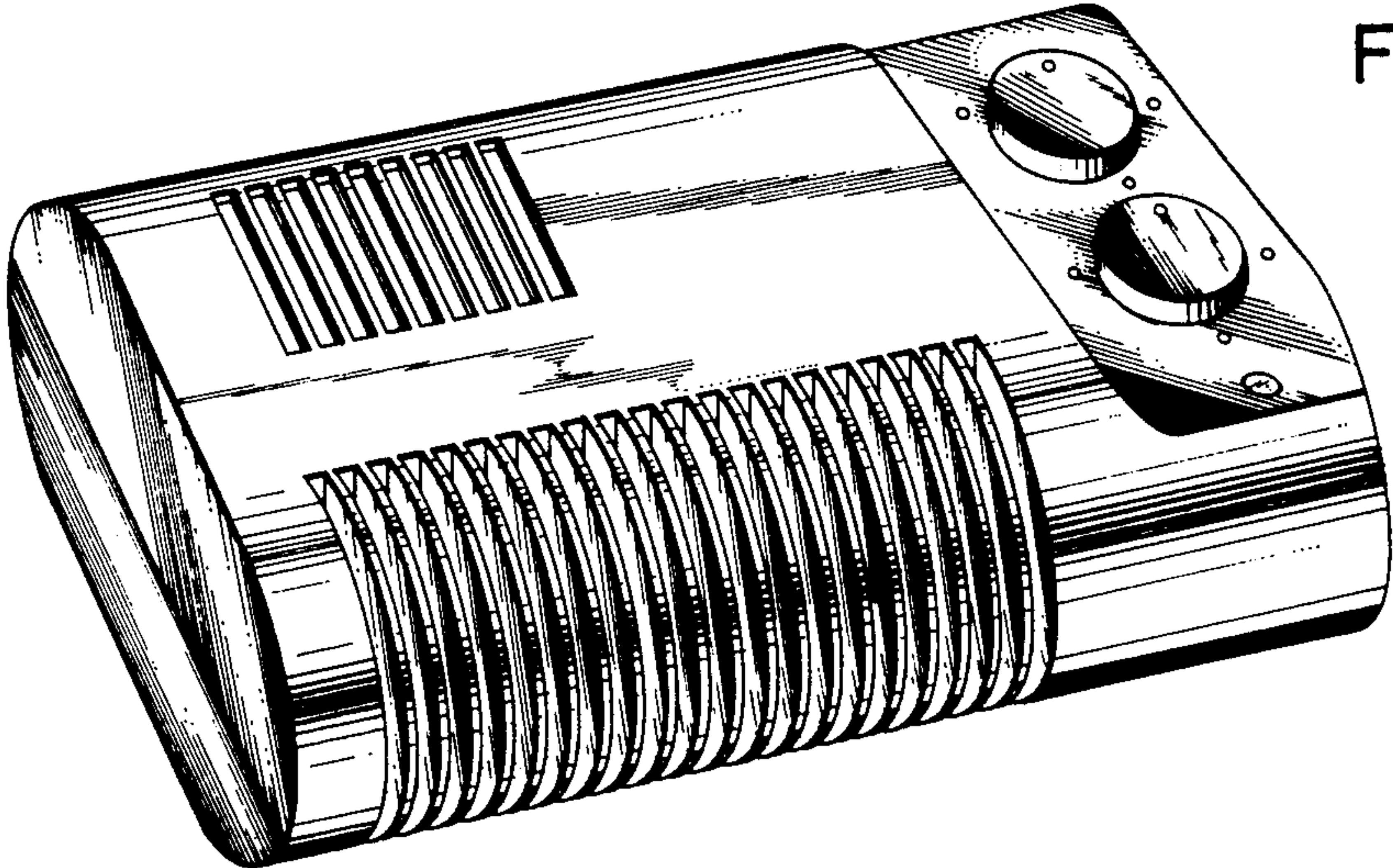


FIG. 1

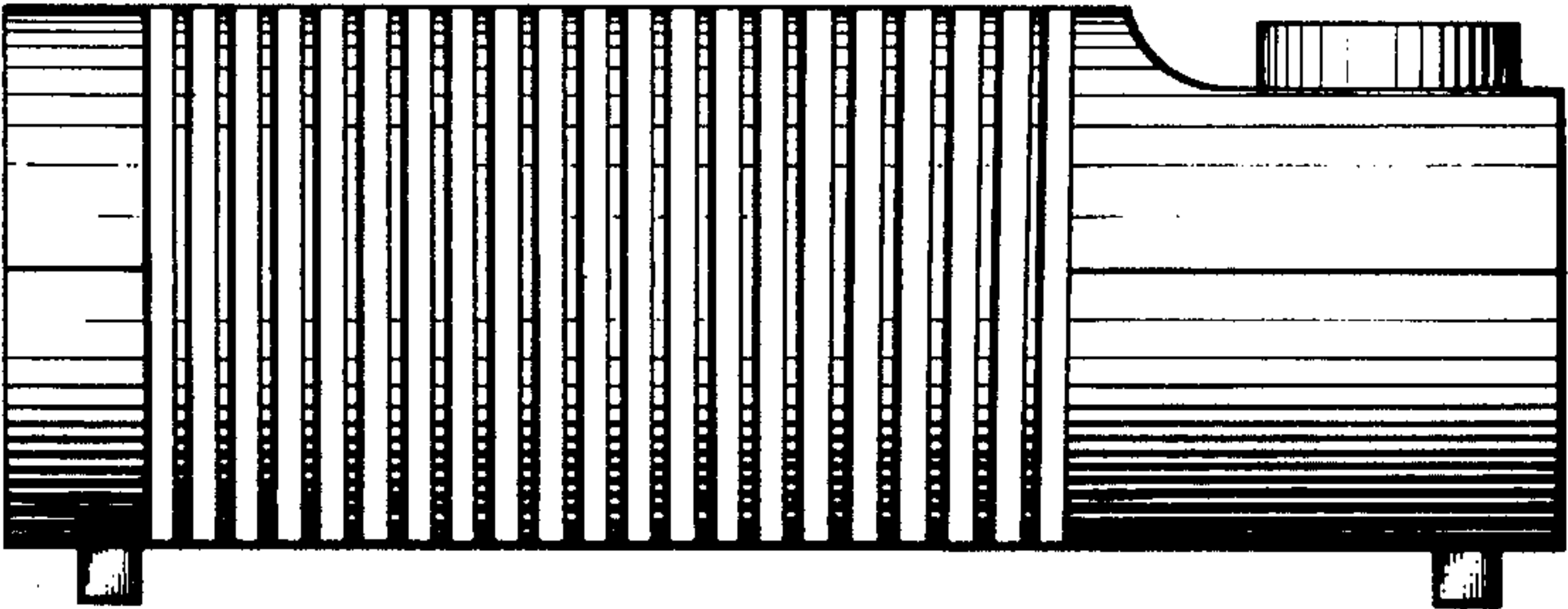


FIG. 2

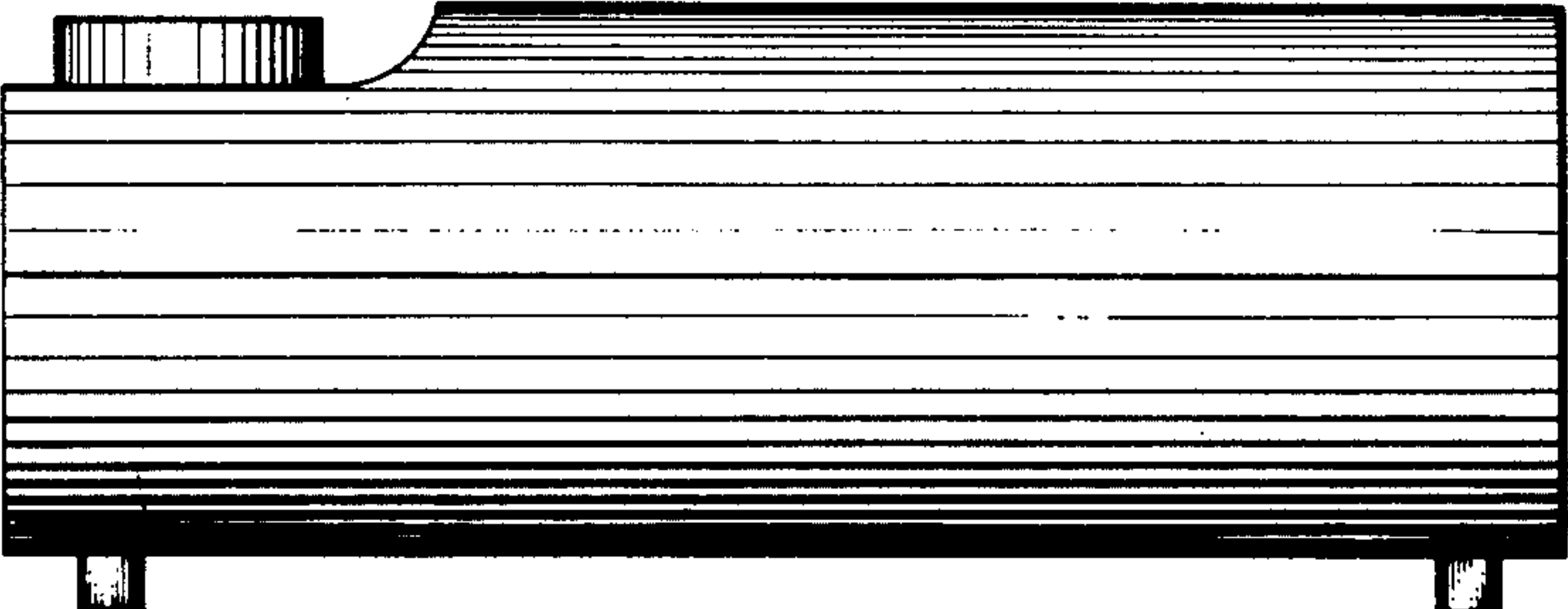


FIG. 3

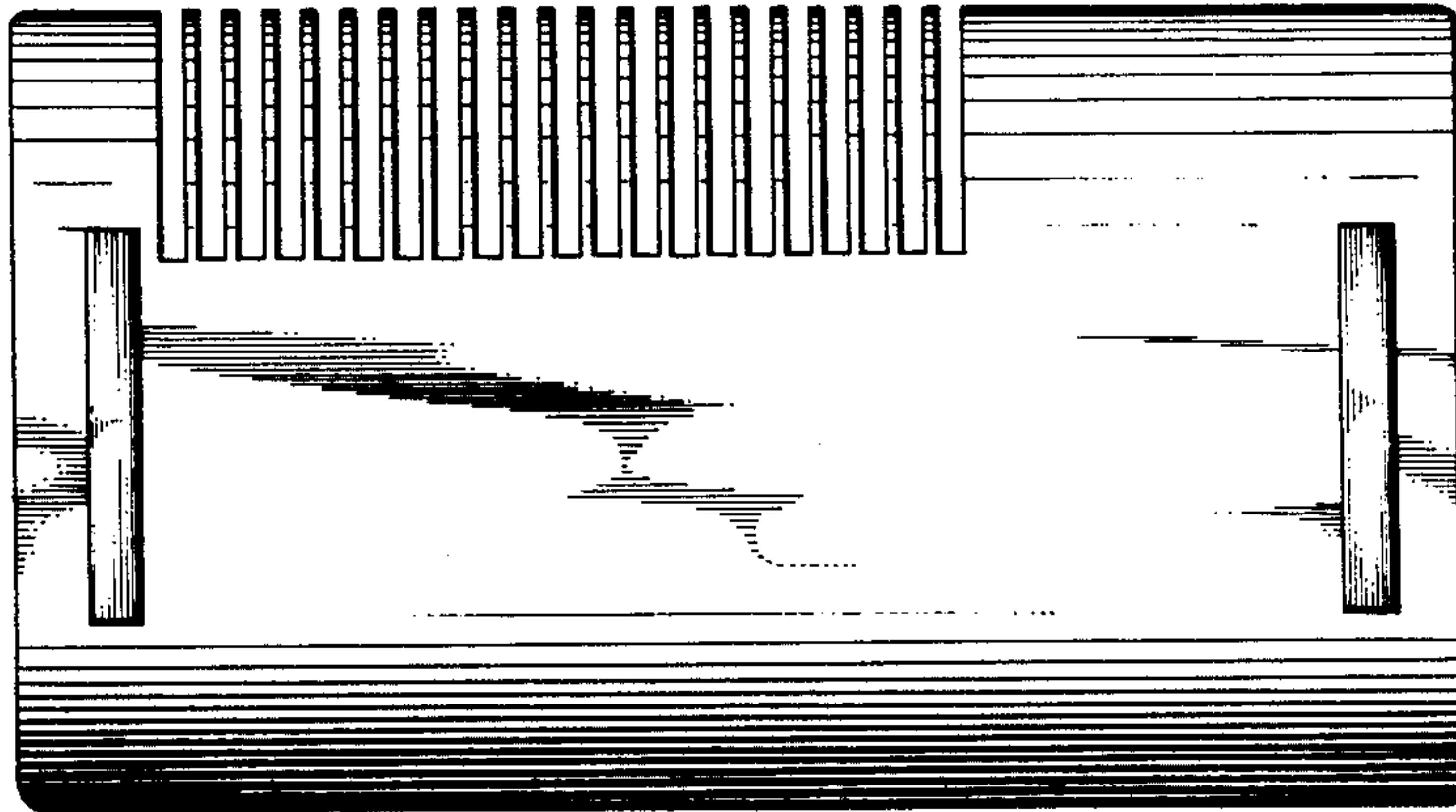


FIG. 4

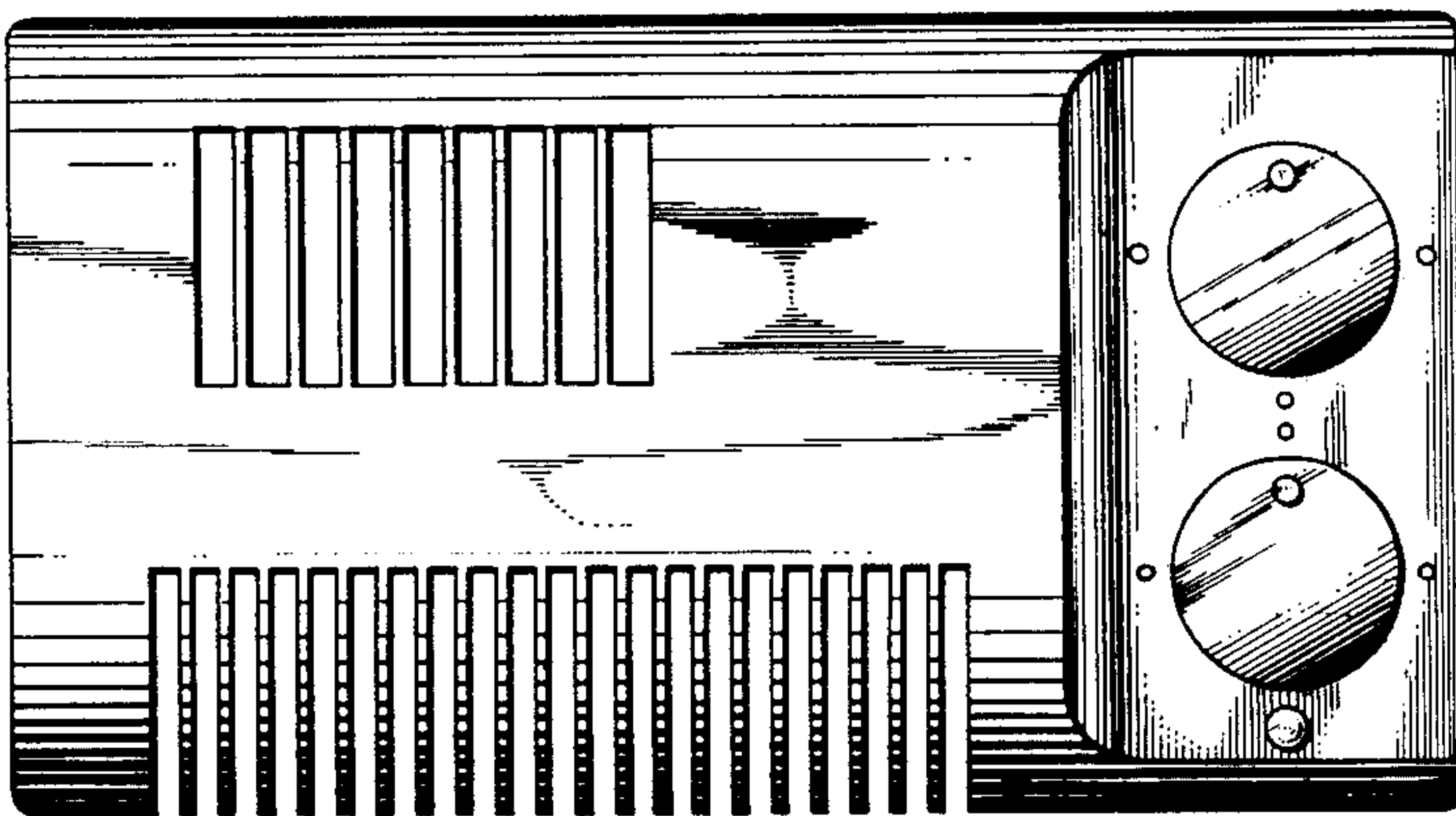


FIG. 5

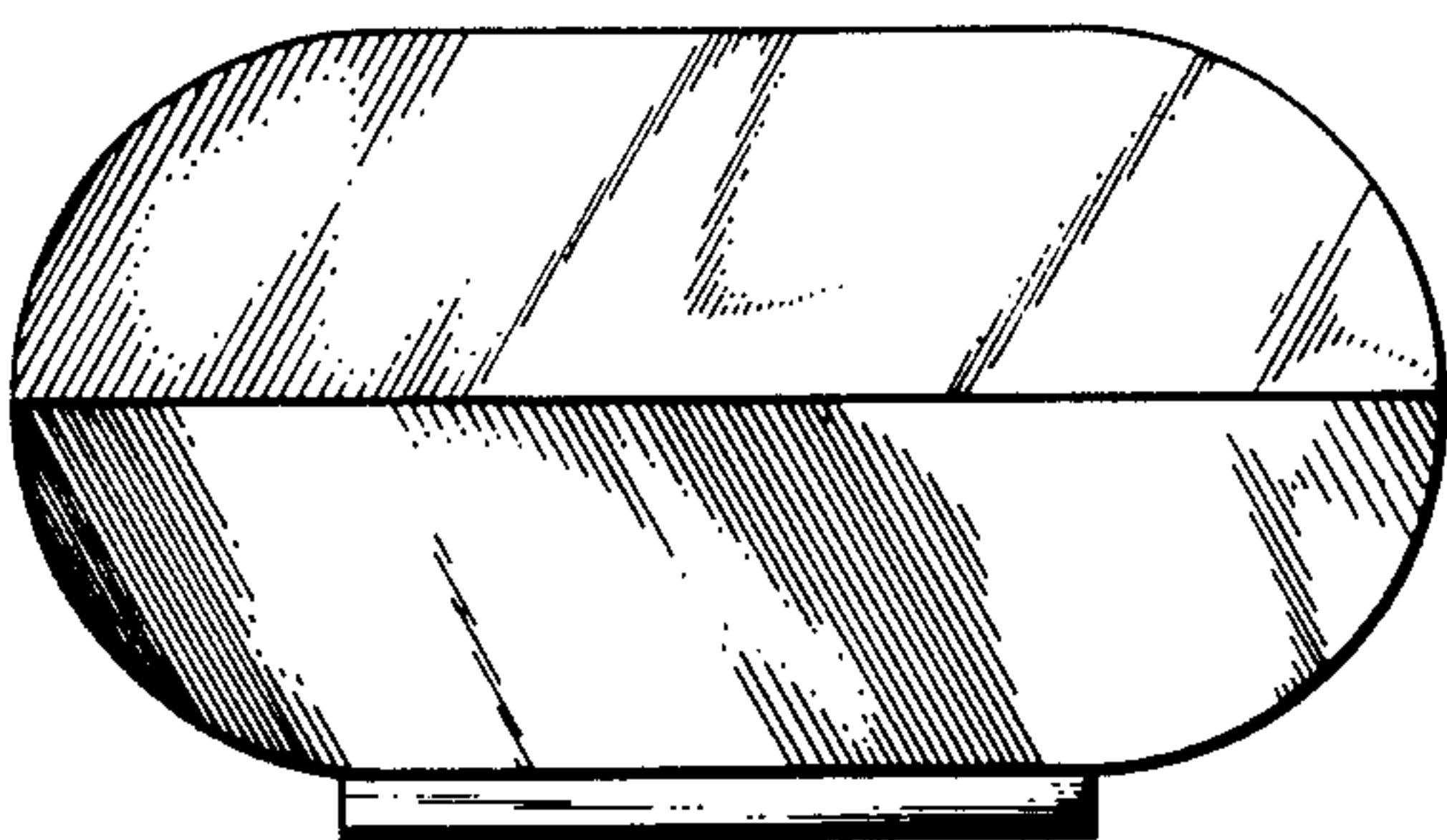


FIG. 6

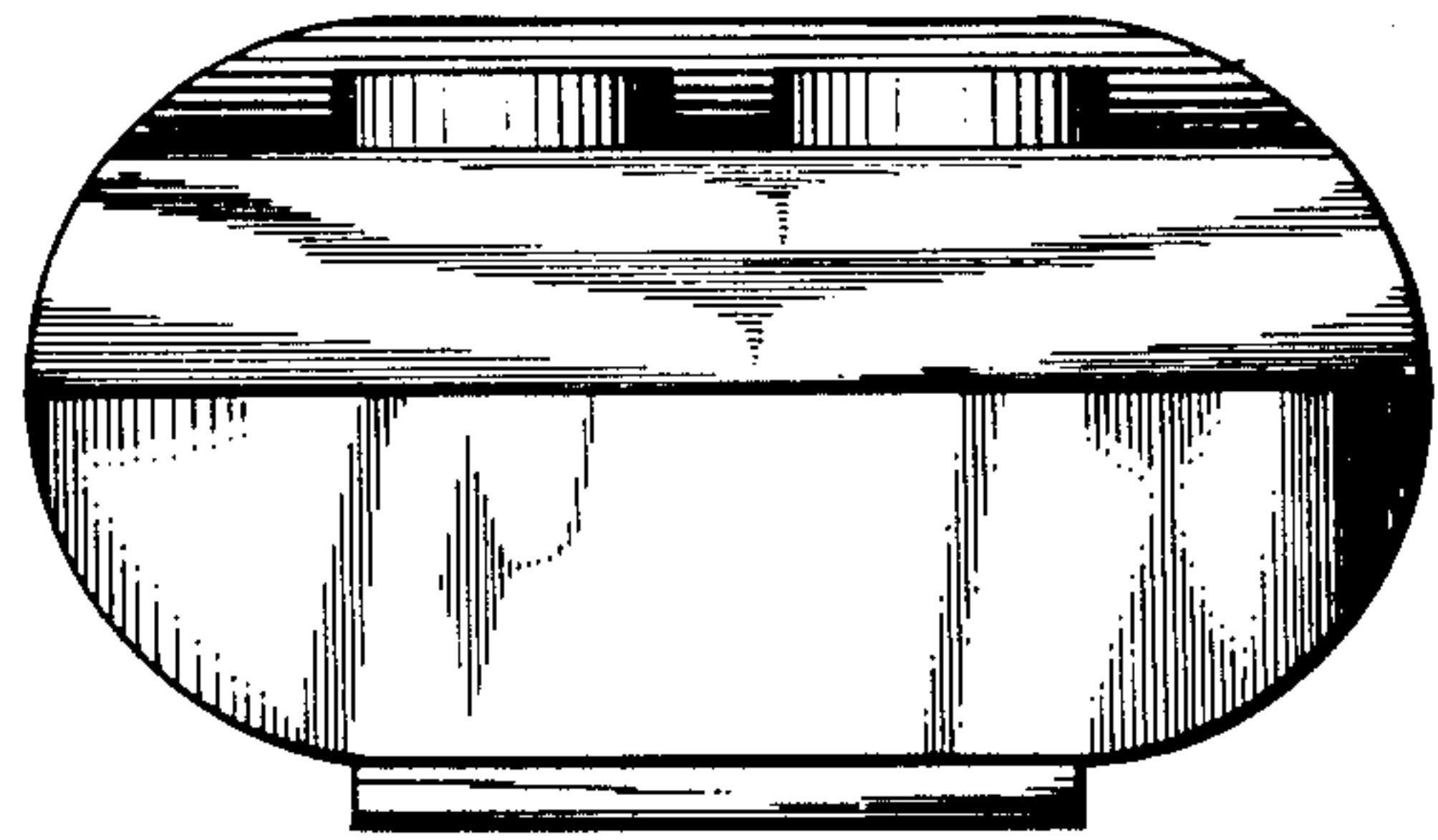


FIG. 7