

[54] RECREATIONAL VEHICLE SEWER COUPLING

[76] Inventor: Robley H. Baldwin, P.O. Box 13286, South Lake Tahoe, Calif. 95702

[**] Term: 14 Years

[21] Appl. No.: 612,178

[22] Filed: Sept. 10, 1975

[51] Int. Cl. D23-01

[52] U.S. Cl. D23/43

[58] Field of Search D23/40-47; 285/196, 338, 346

[56] References Cited

U.S. PATENT DOCUMENTS

2,643,138	6/1953	Jacobs et al.	D23/43
2,991,091	7/1961	De Cenzo	285/338 X
3,850,210	11/1974	Buxton	285/338 X
D. 229,496	12/1973	Hand	D23/43

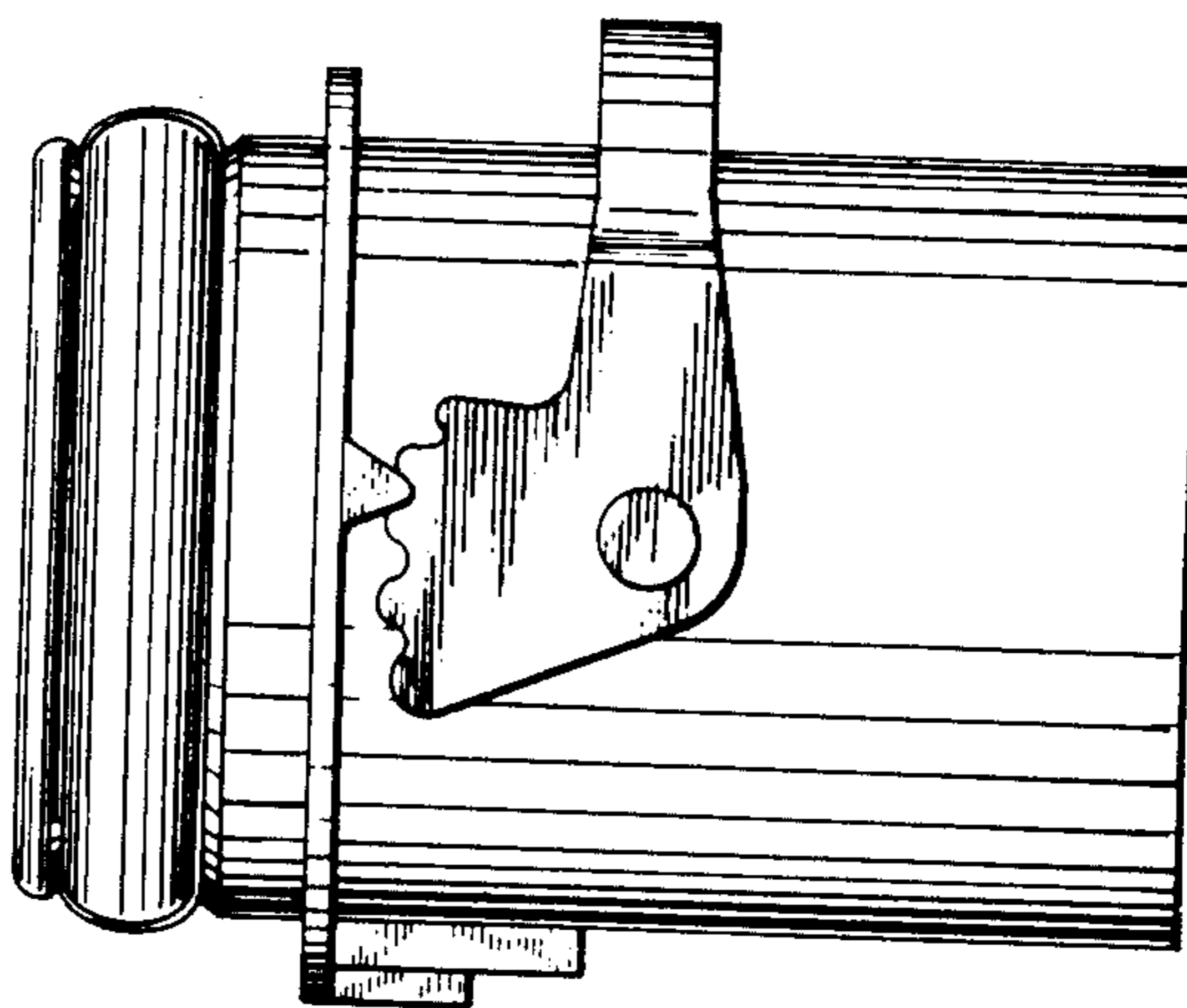
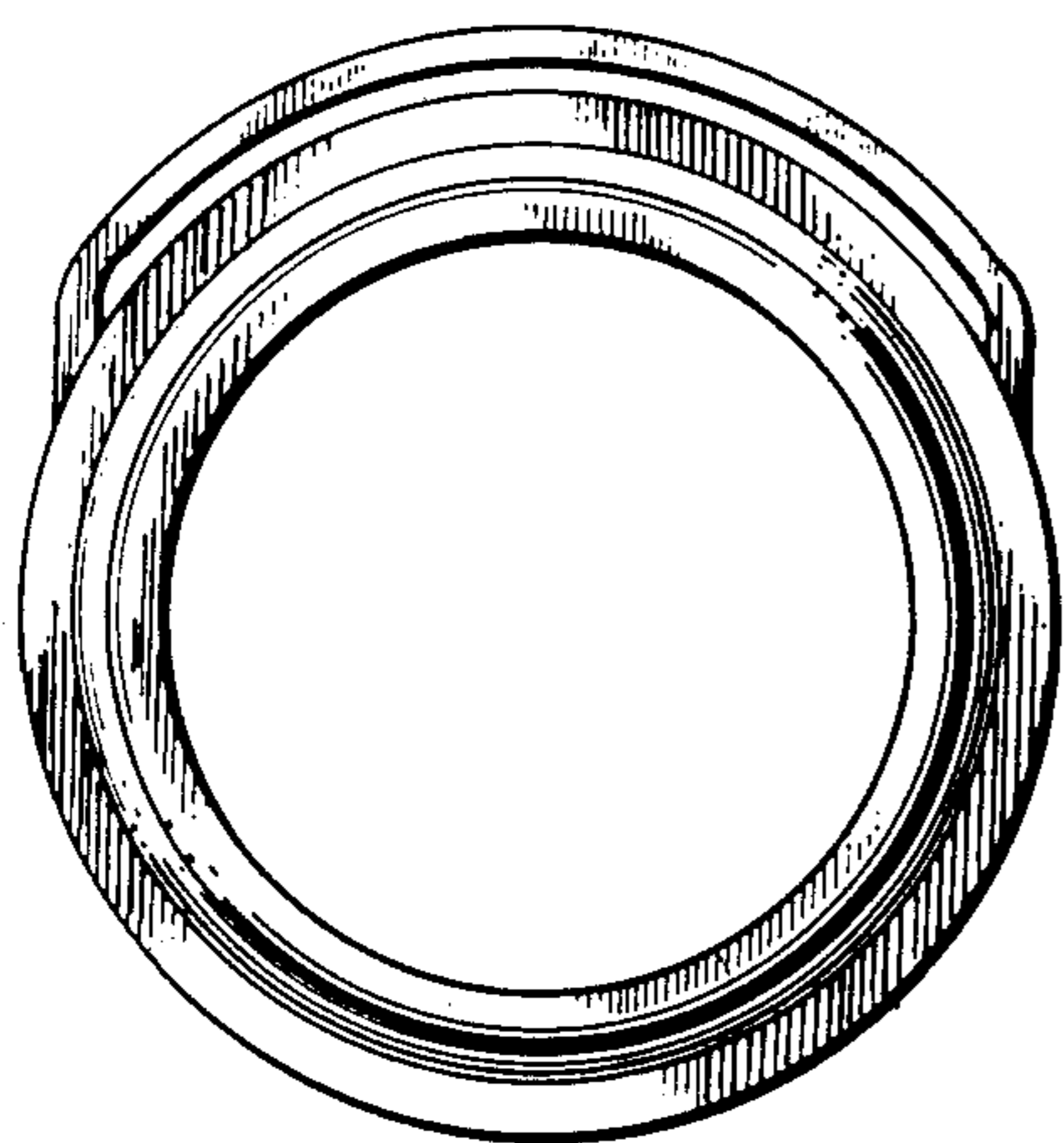
Primary Examiner—James R. Largen
Attorney, Agent, or Firm—Robley H. Baldwin

[57] CLAIM

The ornamental design for a recreational vehicle sewer coupling, as shown and described.

DESCRIPTION

FIG. 1 is a side elevational view of a recreational vehicle sewer coupling showing my new design the opposite being a mirror image of the side shown; FIG. 2 is a front elevational view thereof; and FIG. 3 is a bottom plan view thereof.



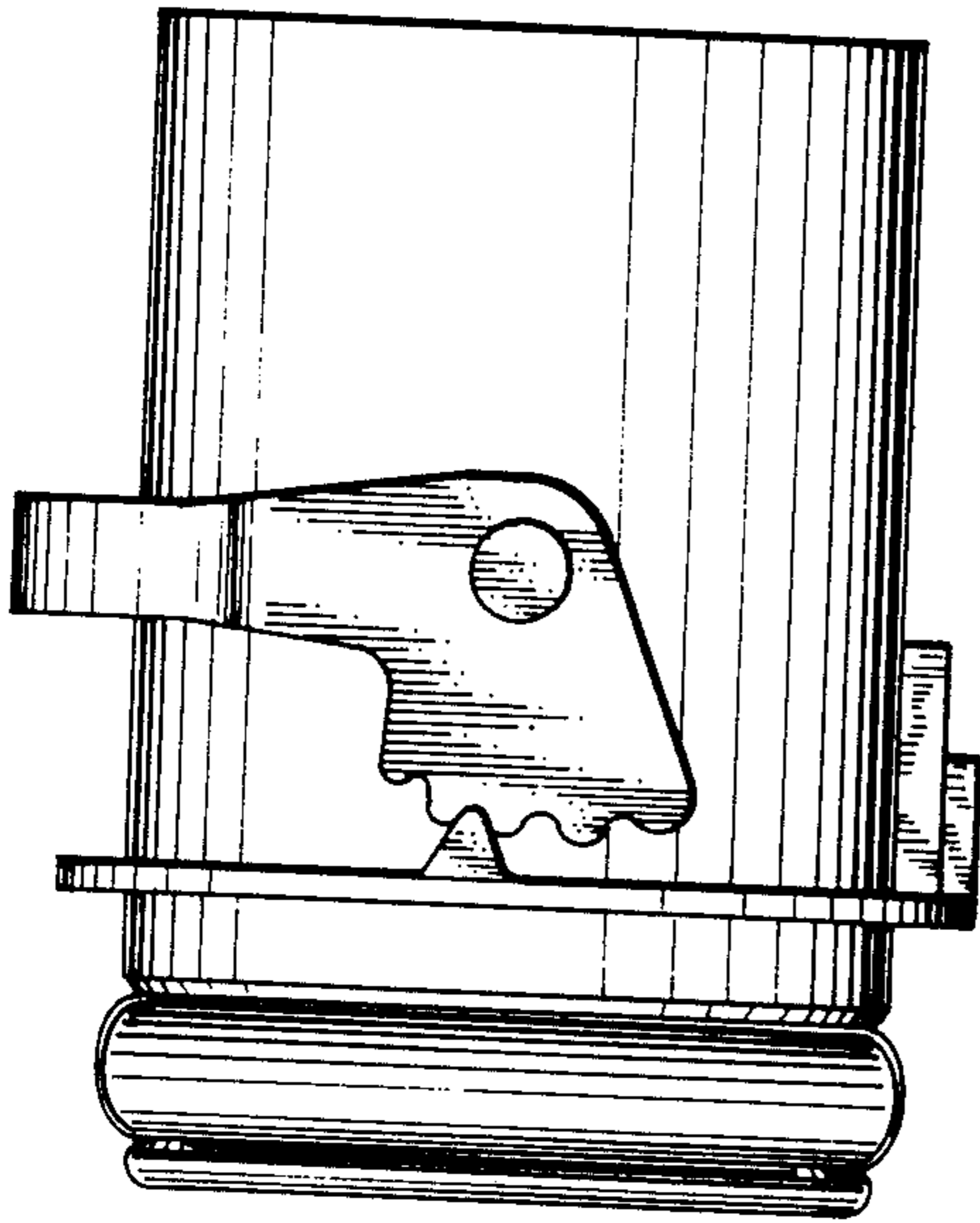


FIG. 1

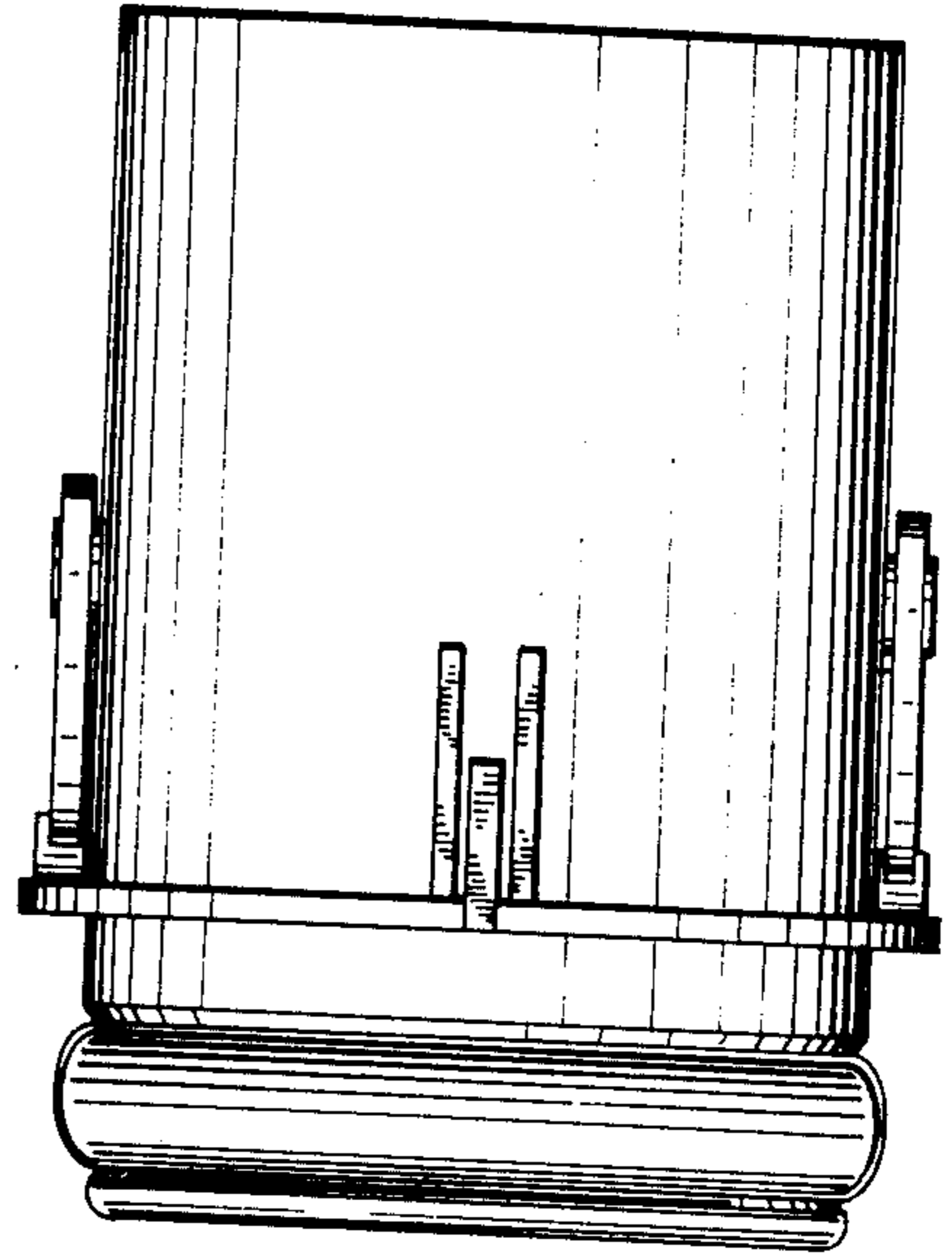


FIG. 3

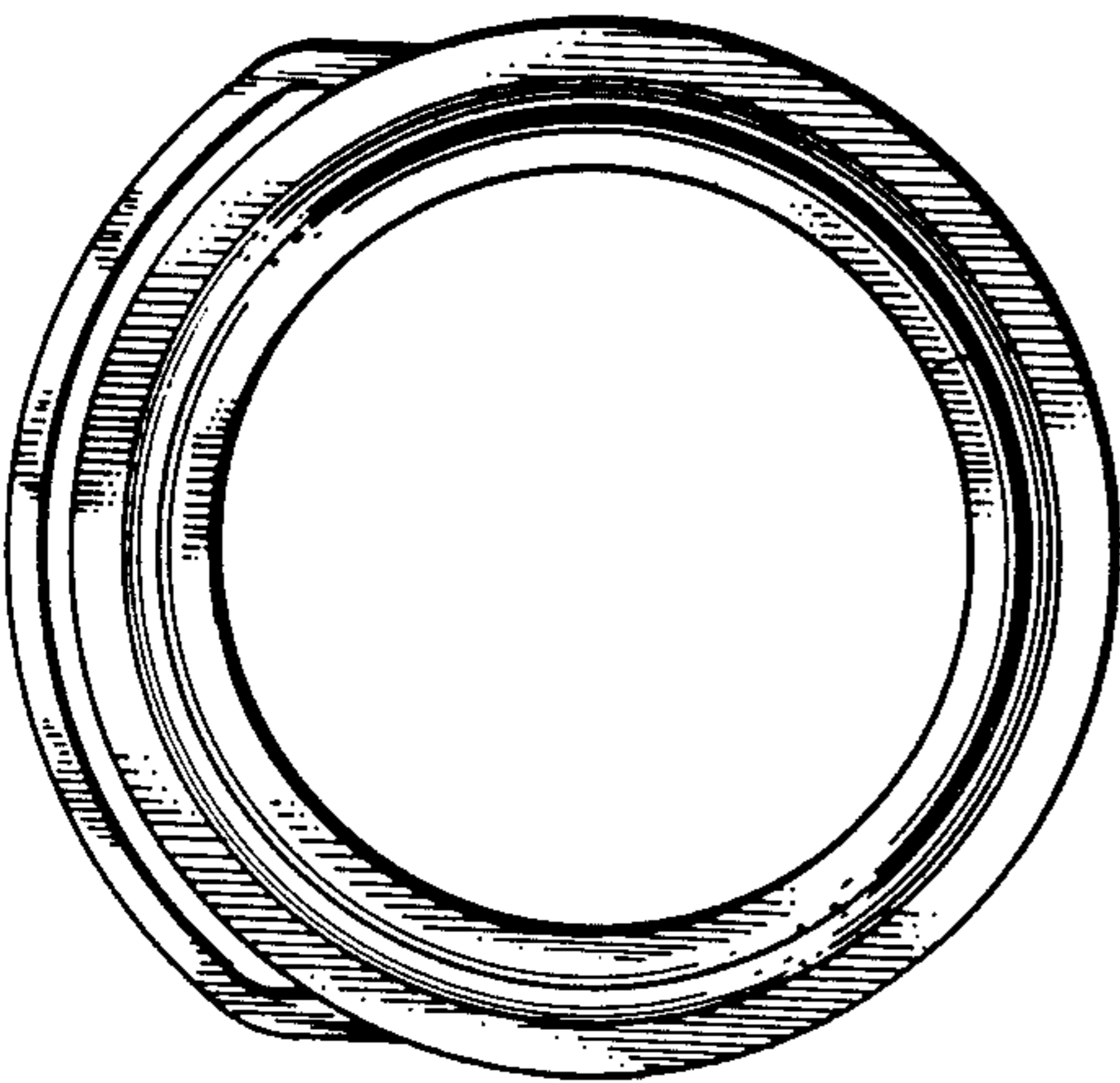


FIG. 2