

[54] COMMERCIAL FOOD COOKING DEVICE

[76] Inventors: Harnek S. Gill, 637 Webster St., Algonquin, Ill. 60102; Johannes W. Kaebitzsch, 430 Sunset Drive, Crystal Lake, Ill. 60014

[\*\*] Term: 14 Years

[21] Appl. No.: 675,984

[22] Filed: Apr. 12, 1976

[51] Int. Cl. .... D15-08

[52] U.S. Cl. .... D15/104

[58] Field of Search ..... D15/92, 104, 108; 126/1 R, 25 R, 4; 99/324, 325, 341, 352, 416-418, 422, 467, 468, 473, 480, 481; 219/214, 342, 443, 350, 352, 377, 429, 441

[56] References Cited

U.S. PATENT DOCUMENTS

D. 222,514 10/1971 Joeckel ..... D15/108

OTHER PUBLICATIONS

Institutions/Volume Feeding, Nov. 1, 1975, p. 9, Toastmaster "Tline", Cooking Appliance.

Primary Examiner—Wallace R. Burke  
Assistant Examiner—Catherine Kemper  
Attorney, Agent, or Firm—Charles F. Lind

[57] CLAIM

The ornamental design for a commercial food cooking device, substantially, as shown and described.

DESCRIPTION

FIG. 1 is a perspective view of a commercial food cooking device showing our new design.

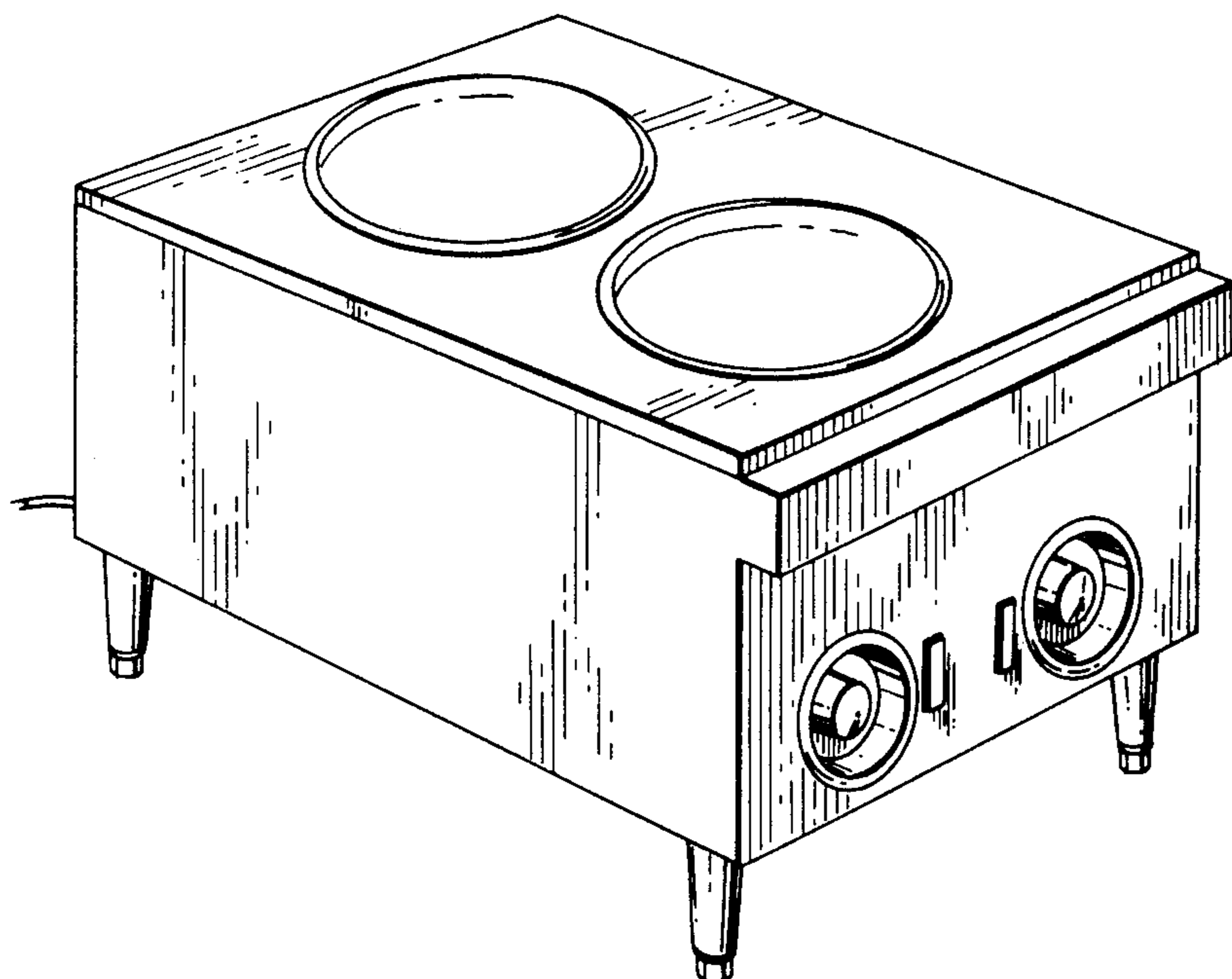
FIG. 2 is a side elevational view thereof;

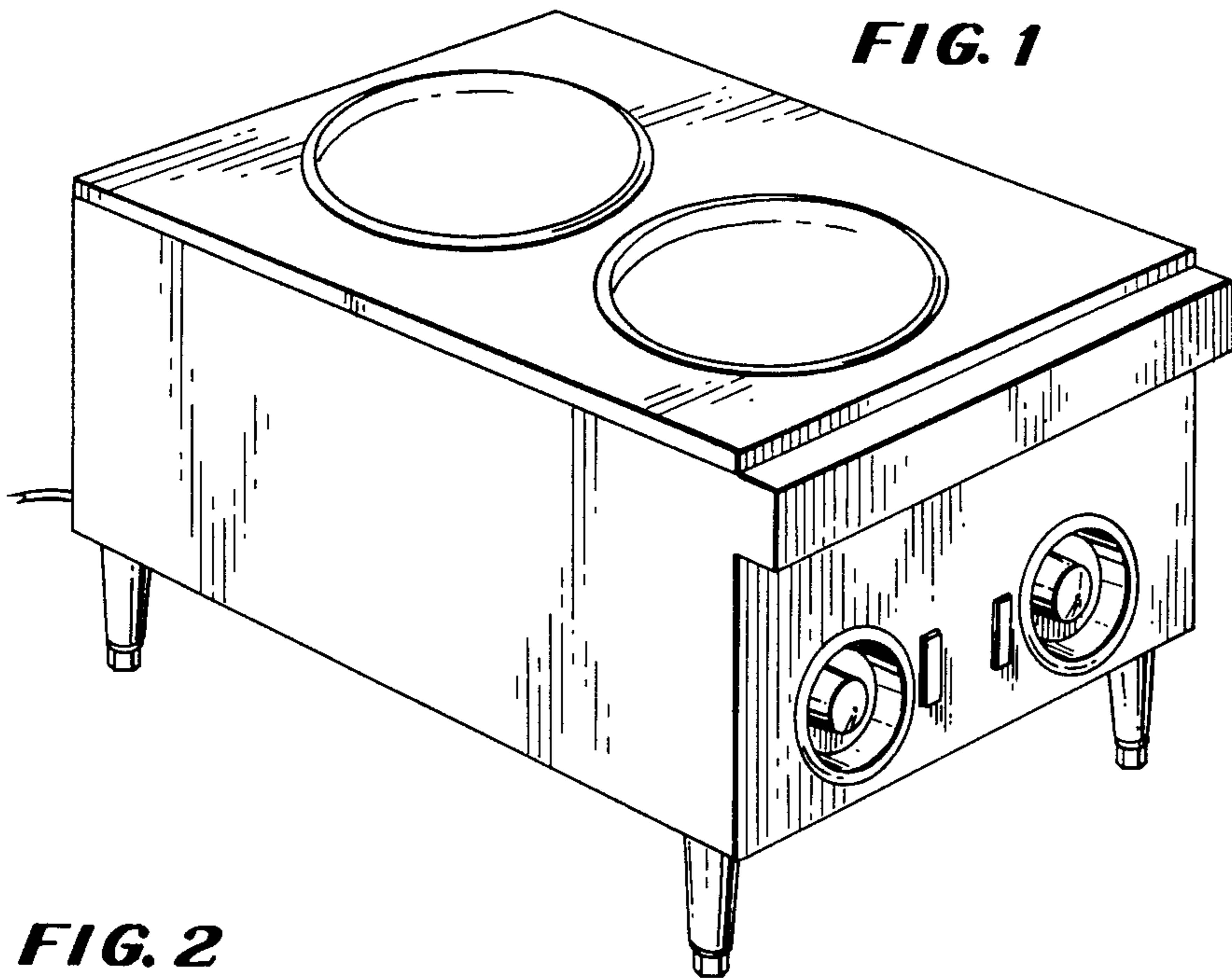
FIG. 3 is a front elevational view thereof;

FIG. 4 is a bottom view thereof;

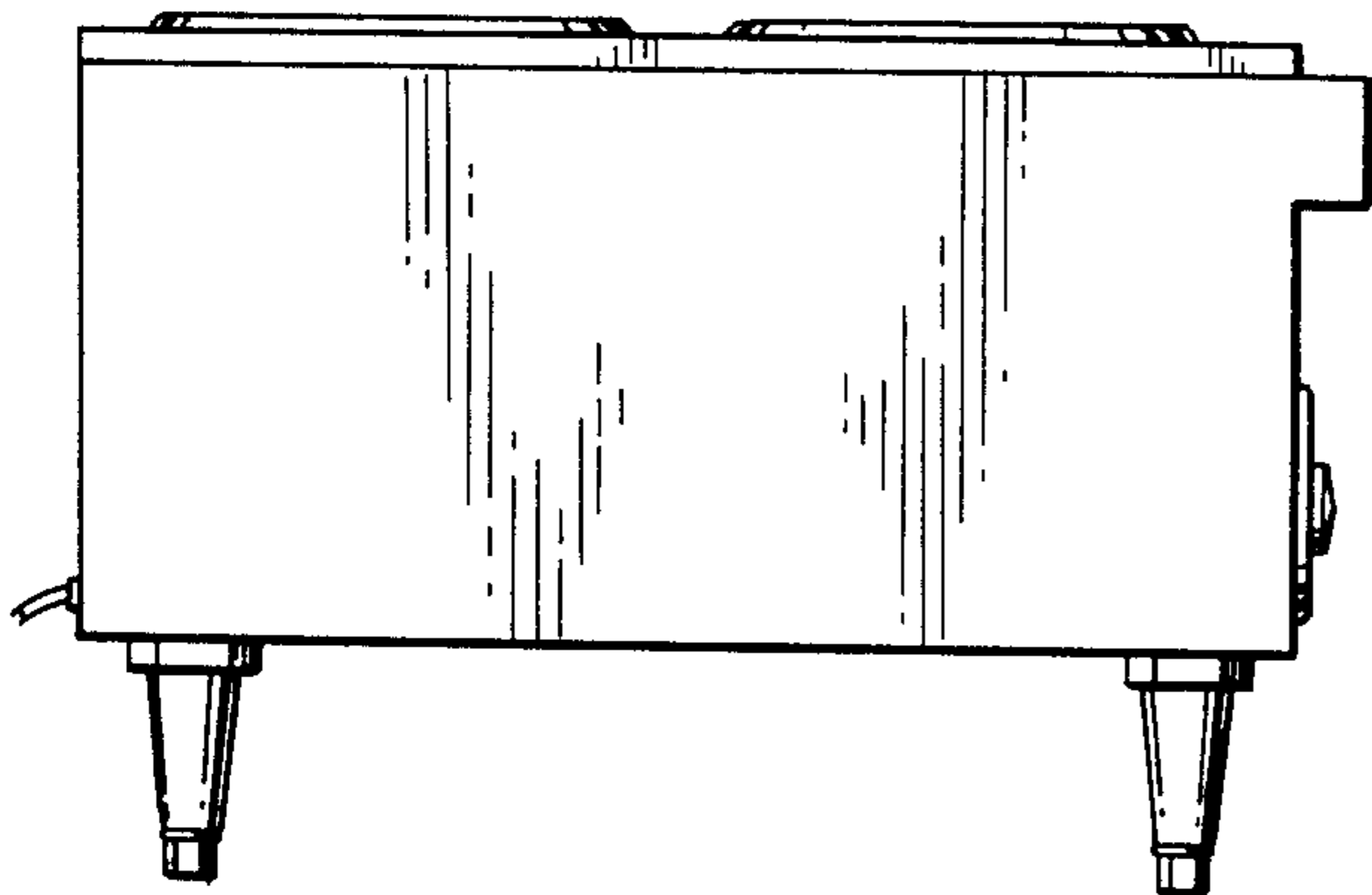
FIG. 5 is a rear elevational view thereof;

The undisclosed side of the device is a mirror image of the side disclosed in FIG. 2. The conventional electric cord has been shown fragmentary in all views for convenience of illustration.

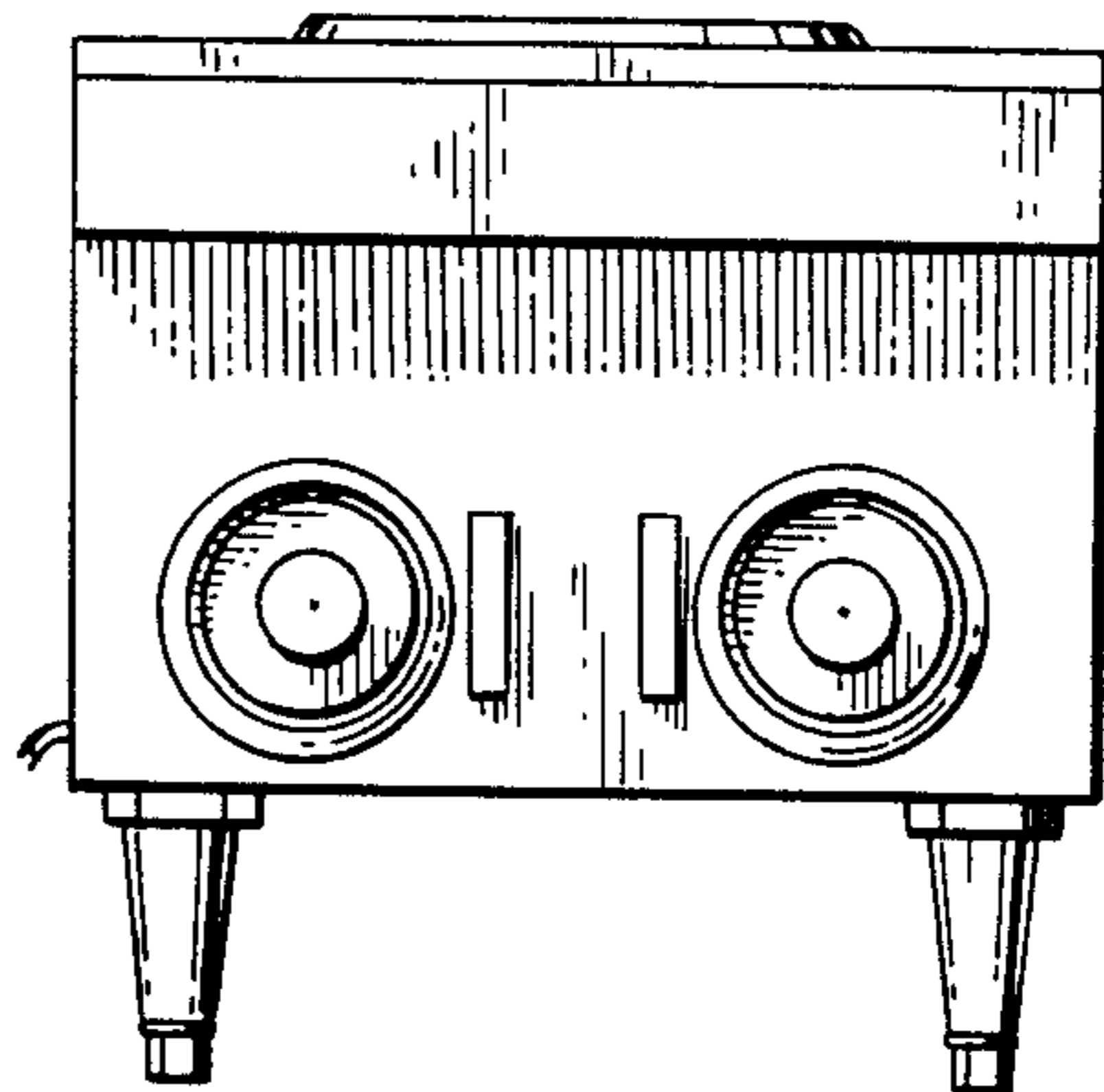




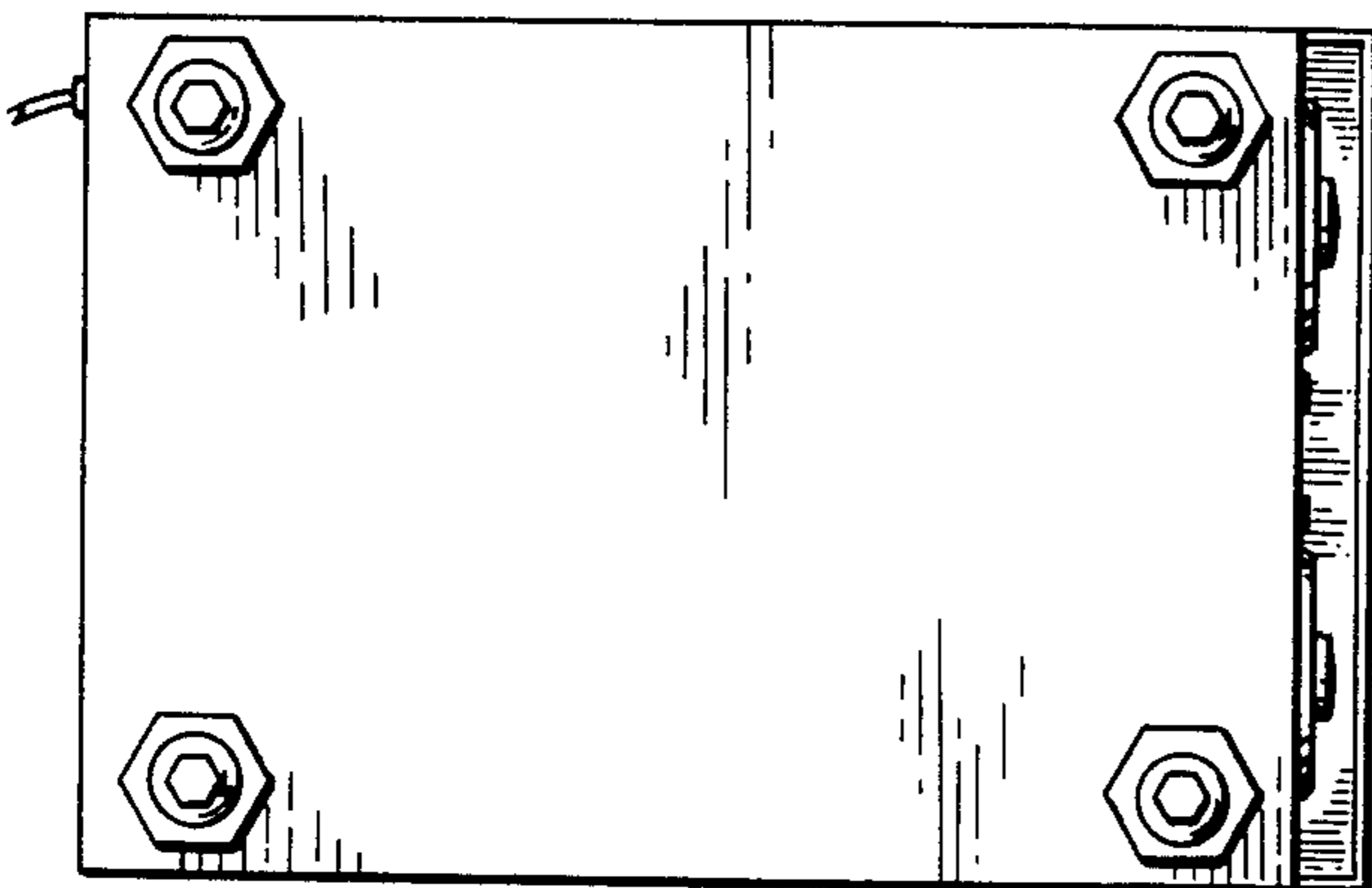
**FIG. 2**



**FIG. 3**



**FIG. 4**



**FIG. 5**

