

[54] CIRCULAR KNITTING MACHINE
[75] Inventors: Wayne Allen Current, Cranford;
Michael Ballone, New Providence,
both of N.J.

[73] Assignee: The Singer Company

[**] Term: 14 Years

[21] Appl. No.: 629,822

[22] Filed: Nov. 7, 1975

[51] Int. Cl. D15-06

[52] U.S. Cl. D15/66

[58] Field of Search D15/66, 78, 69; 66/8,
66/149 R

[56] References Cited

U.S. PATENT DOCUMENTS

3,859,822 1/1975 Renda et al. 66/8

3,959,992 6/1976 Eschenbach 66/8
D. 158,475 5/1950 Lamoreaux D15/66
D. 198,581 7/1964 Kamp D15/66
D. 228,409 9/1973 Conti D15/78

Primary Examiner—Winifred E. Herrmann
Attorney, Agent, or Firm—Robert E. Smith

[57] CLAIM

The ornamental design for a circular knitting machine,
substantially, as shown.

DESCRIPTION

FIG. 1 is a top perspective view of a circular knitting
machine showing our new design;
FIG. 2 is a front perspective view thereof
FIG. 3 is a top plan view thereof;
FIG. 4 is a front elevational view thereof;
FIG. 5 is a bottom view thereof;
FIG. 6 is a rear elevational view thereof; and
FIGS. 7 and 8 are opposite end views thereof.

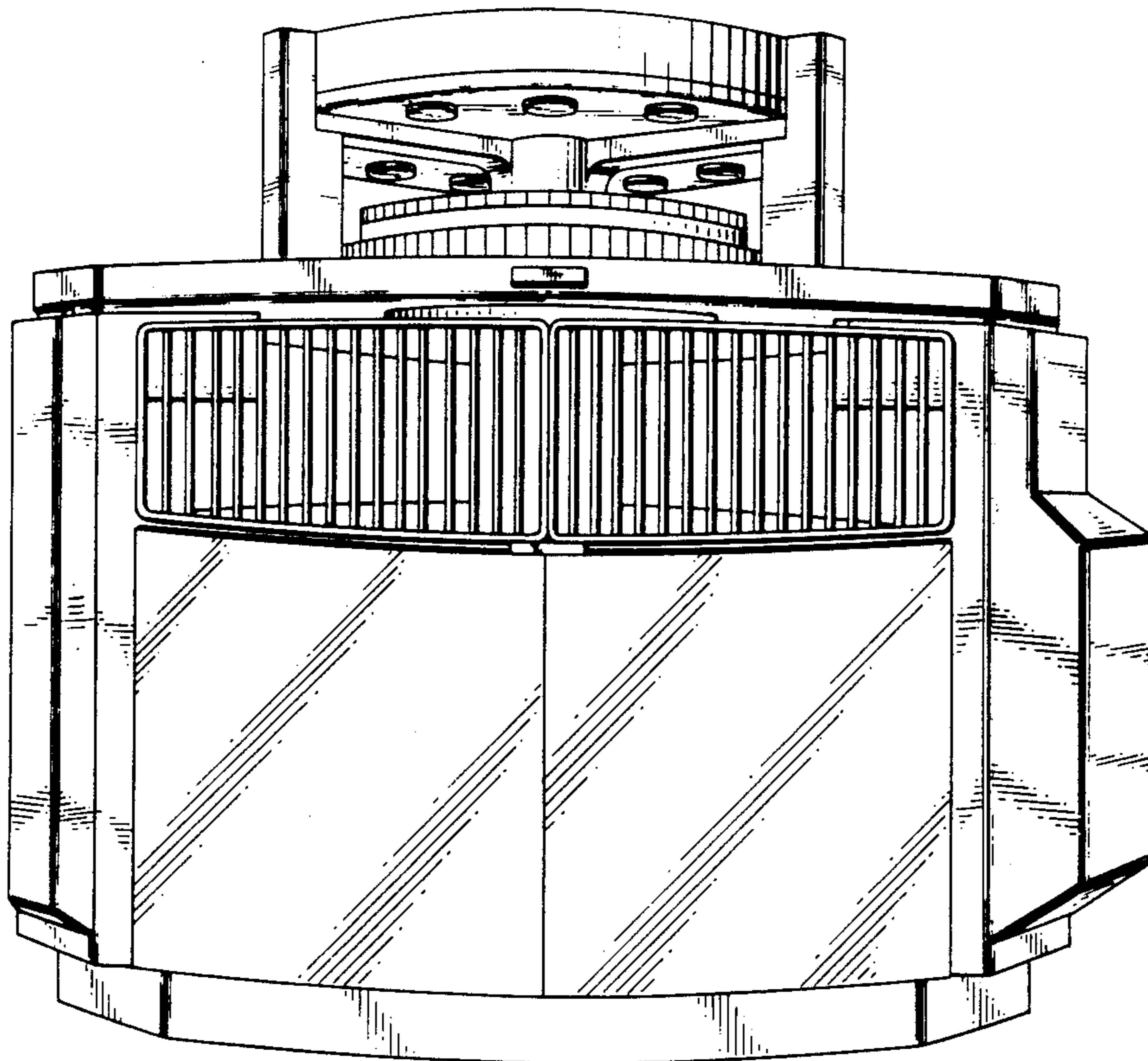


Fig.1

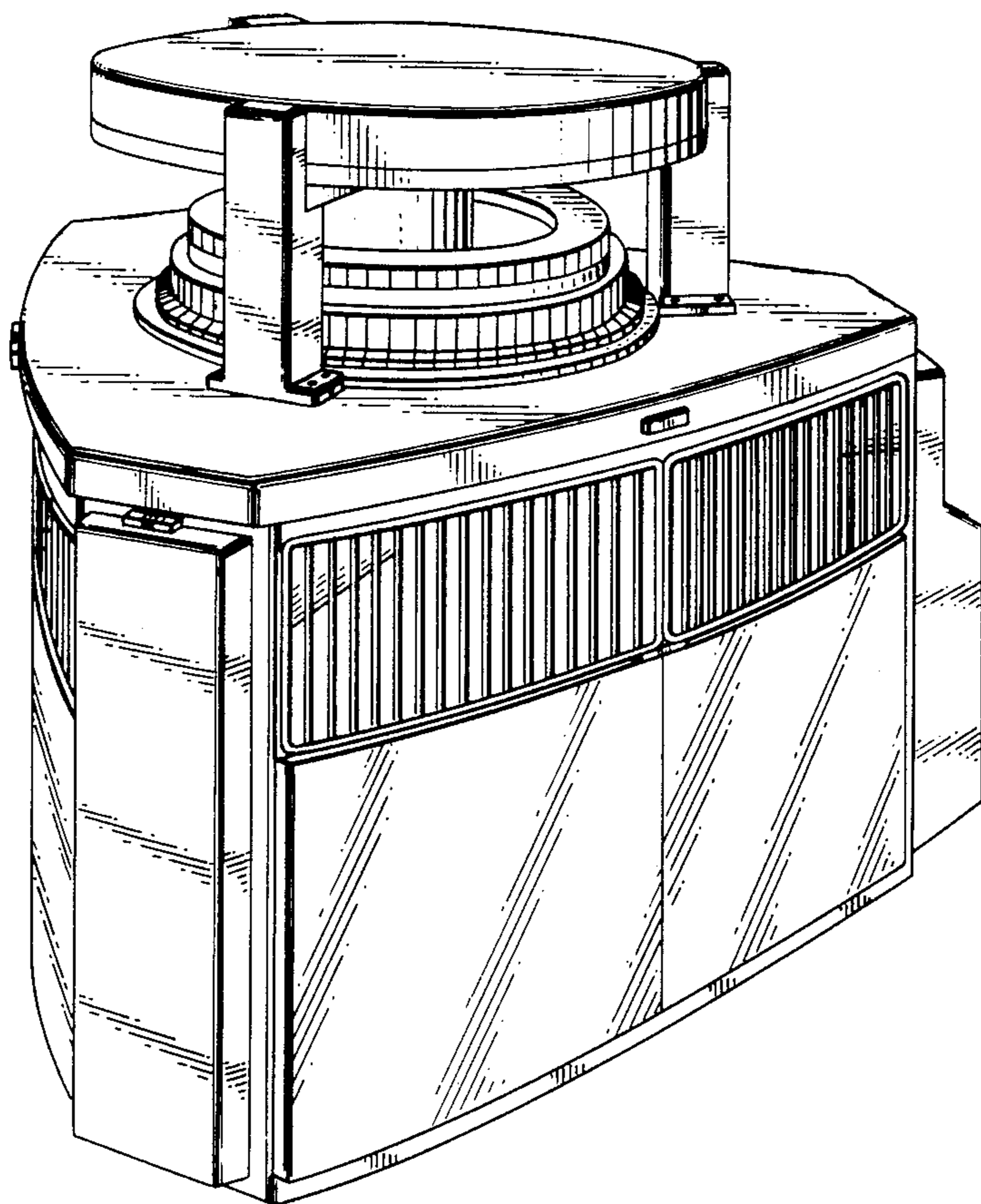


Fig.2

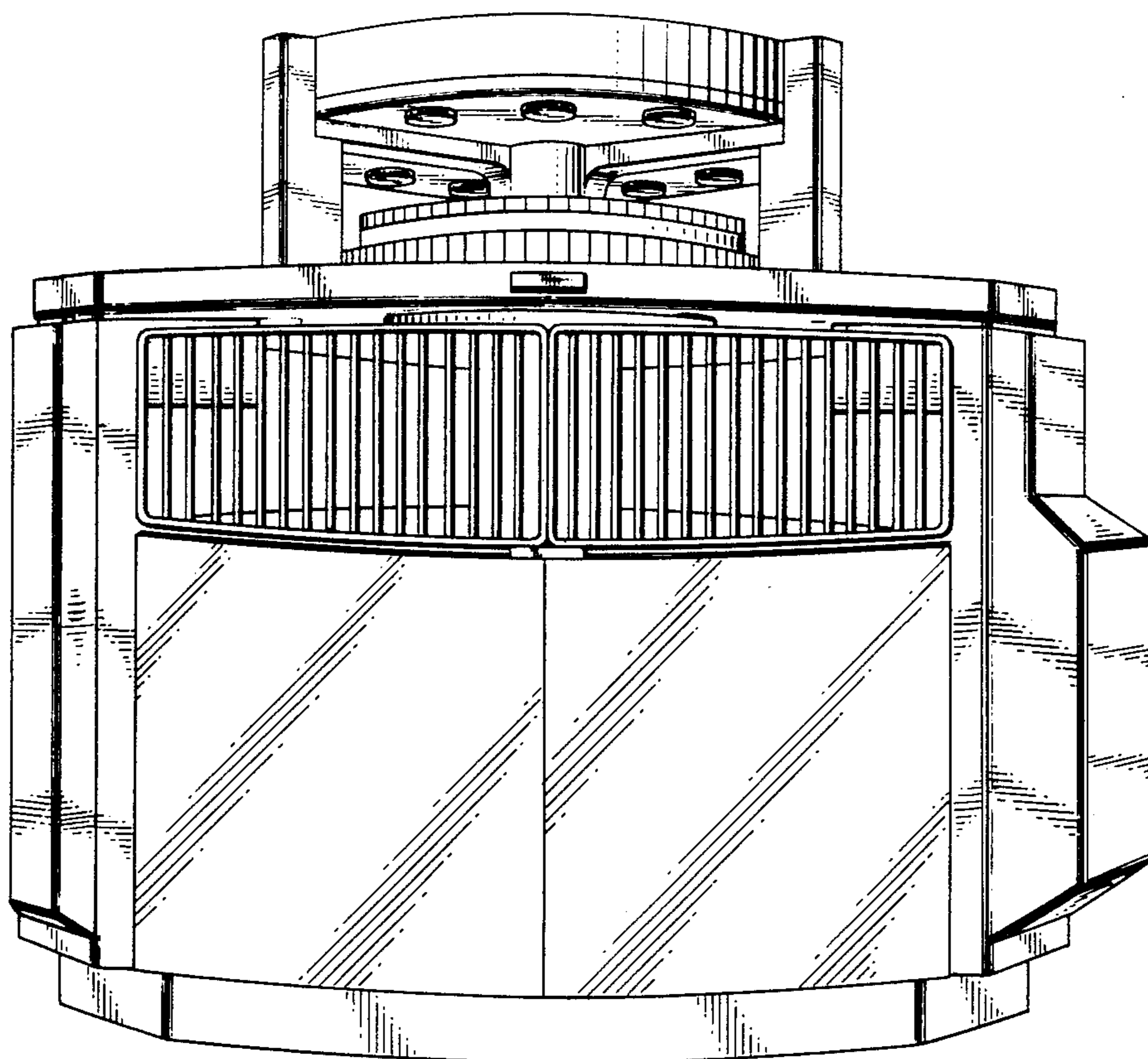


Fig.3

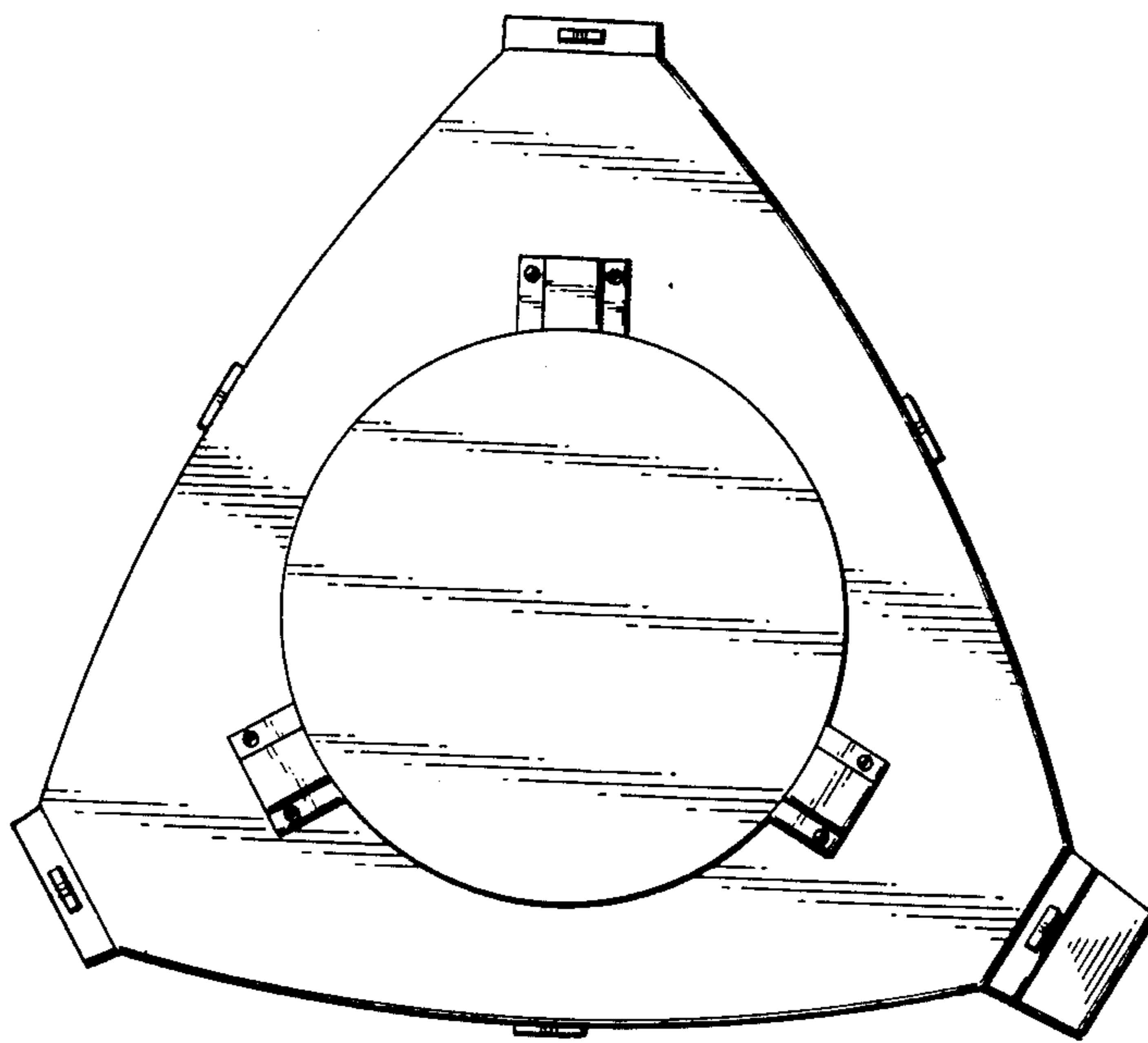


Fig.4

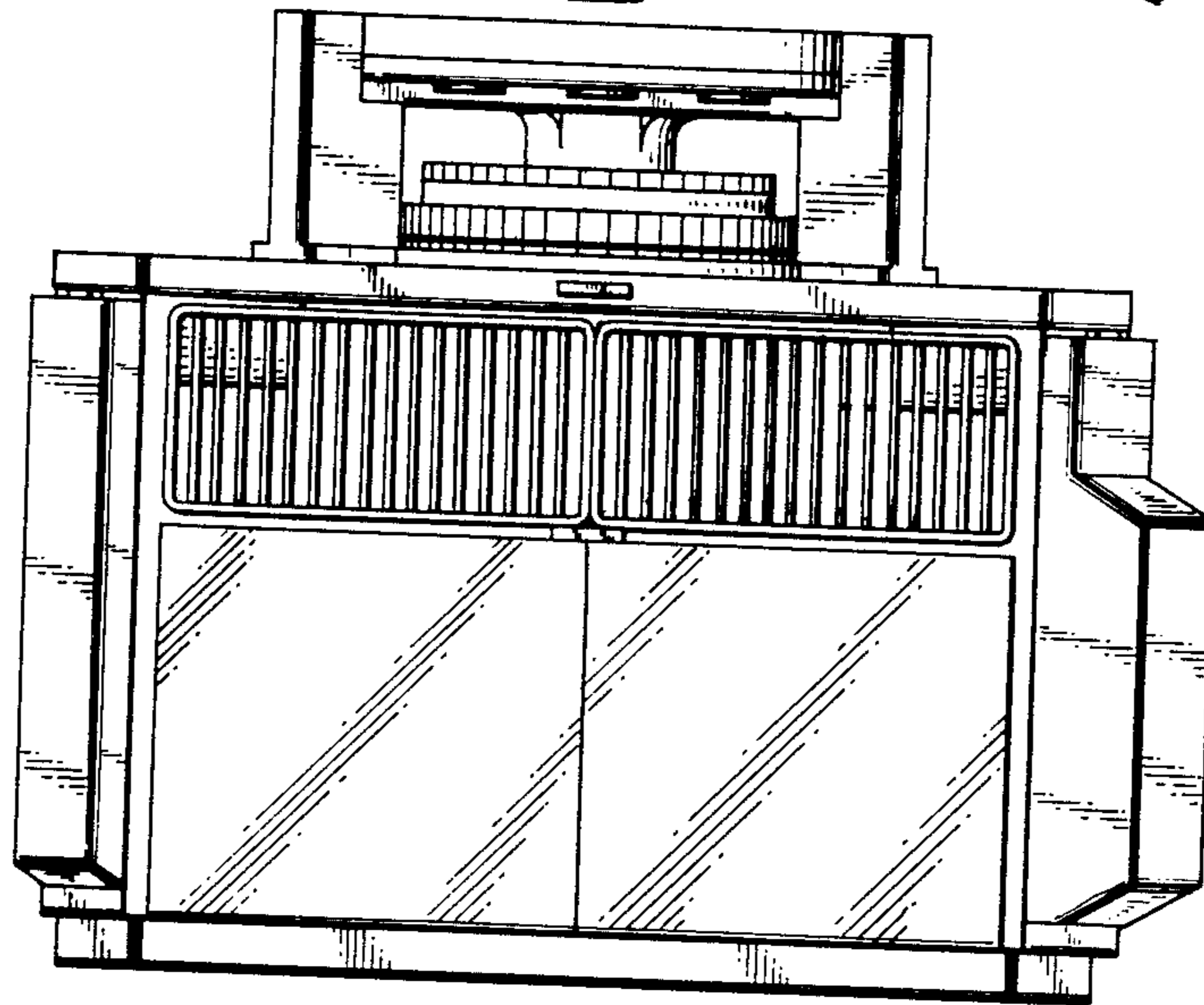


Fig.5

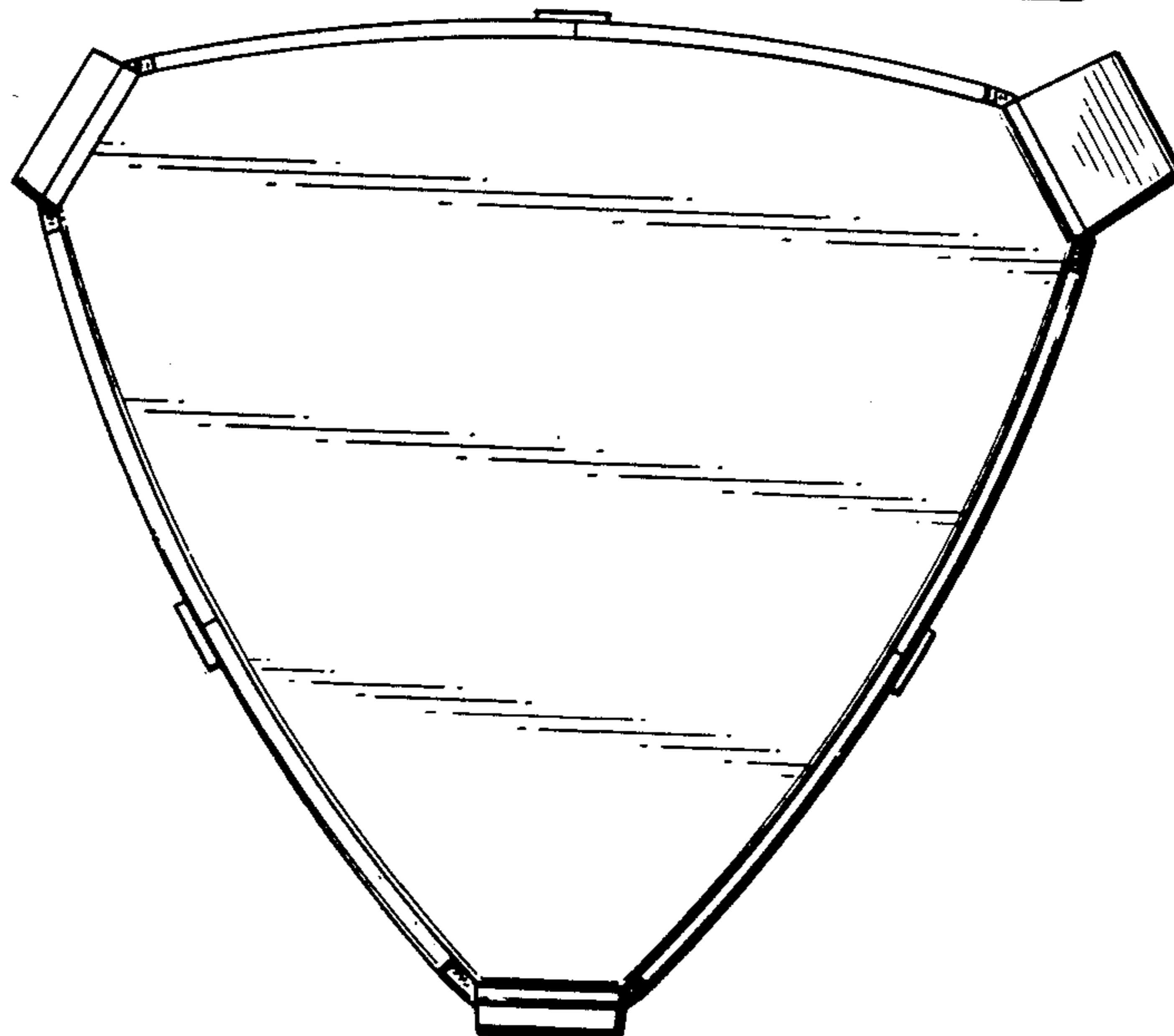


Fig.6

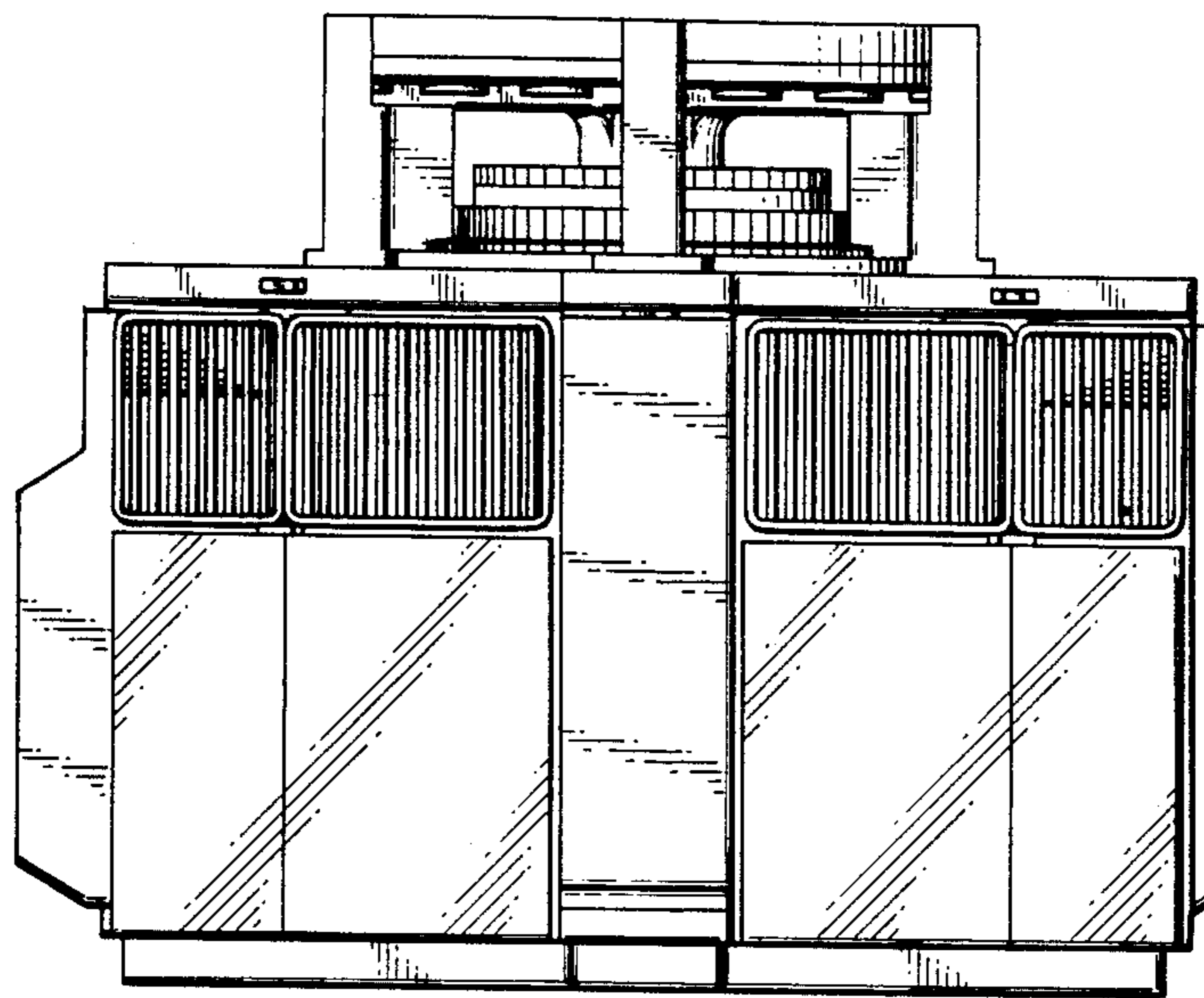


Fig.7

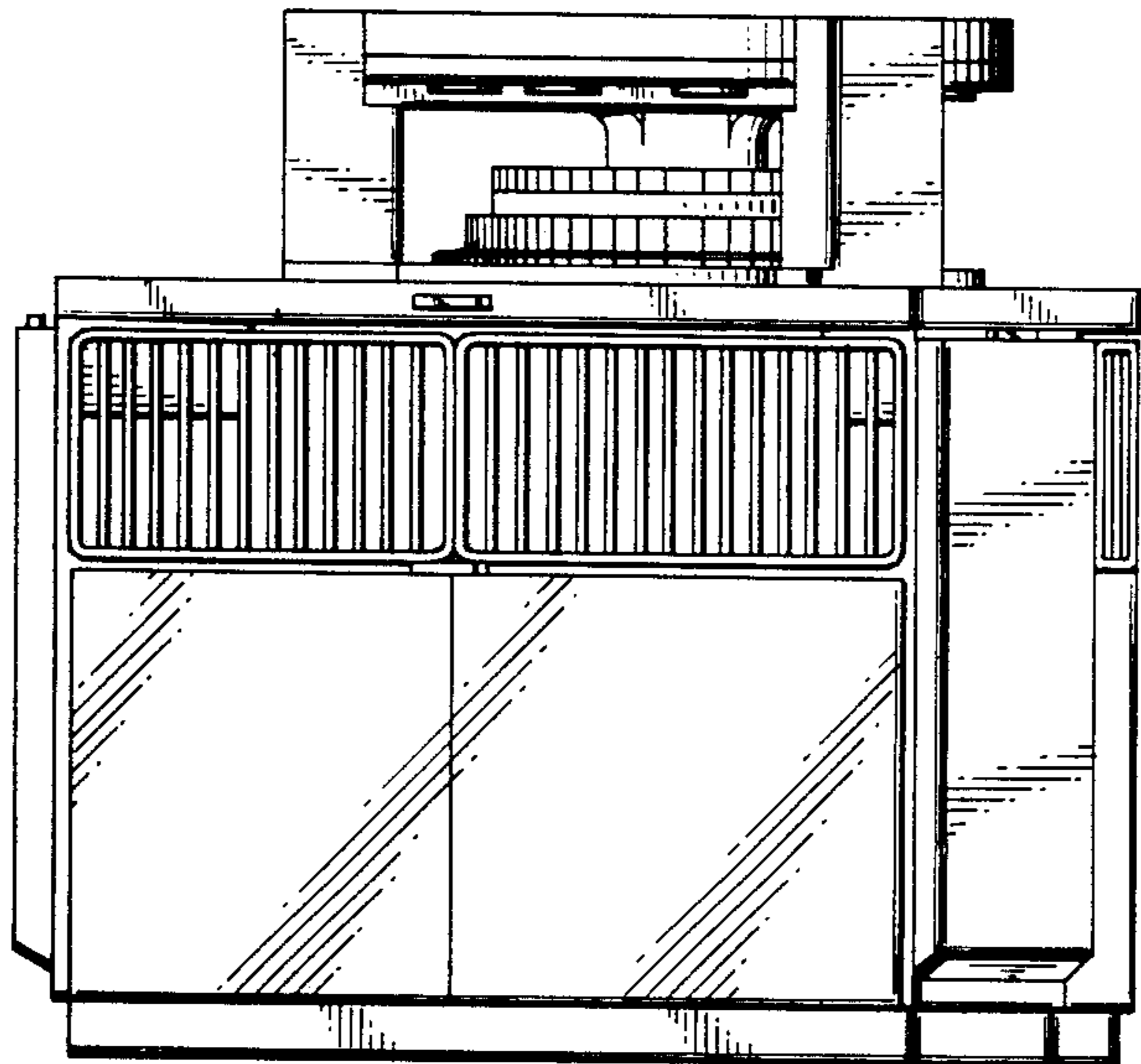


Fig.8

