

[54] ELECTRONIC DIGITAL WRISTWATCH CASE

D. 238,758 2/1976 Schulthess D10/38

[75] Inventor: Robert F. Sagarino, Wheatley Heights, N.Y.

[73] Assignee: Bulova Watch Company, Inc., Flushing, N.Y.

[**] Term: 14 Years

[21] Appl. No.: 637,115

[22] Filed: Dec. 3, 1975

[51] Int. Cl. D10-02

[52] U.S. Cl. D10/38

[58] Field of Search D10/1, 2, 15, 30-39; 58/50 R, 50 A, 53-56, 88 R, 88 G

[56] References Cited

U.S. PATENT DOCUMENTS

- D. 142,371 9/1945 Bloch D10/39
- D. 225,429 12/1972 Vuilleumier D10/38
- D. 238,757 2/1976 Glarner D10/30

OTHER PUBLICATIONS

European Jeweler, 12/74, p. 47—digital watch at upper left.

Primary Examiner—Nelson C. Holtje
Attorney, Agent, or Firm—Michael Ebert

[57] CLAIM

The ornamental design for an electronic digital wristwatch case, substantially as shown.

DESCRIPTION

FIG. 1 is top, front, and right side perspective view of an electronic digital wristwatch case showing my new design;
 FIG. 2 is a top plan view thereof;
 FIG. 3 is a front elevational view thereof;
 FIG. 4 is a rear elevational view thereof;
 FIG. 5 is a right side elevational view thereof;
 FIG. 6 is a left side elevational view thereof;
 FIG. 7 is a bottom rear, and left side perspective view thereof.

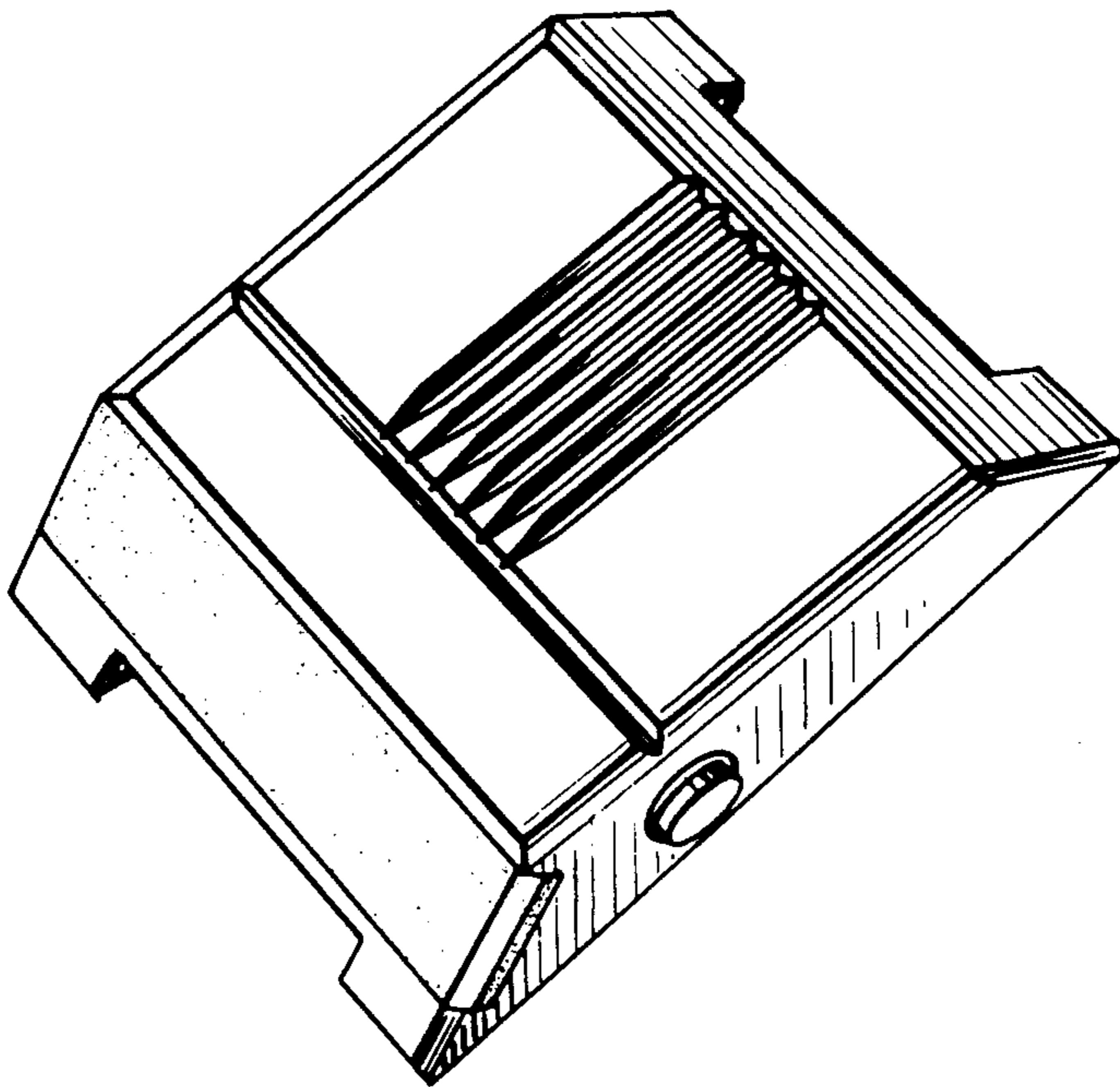


Fig. 1.

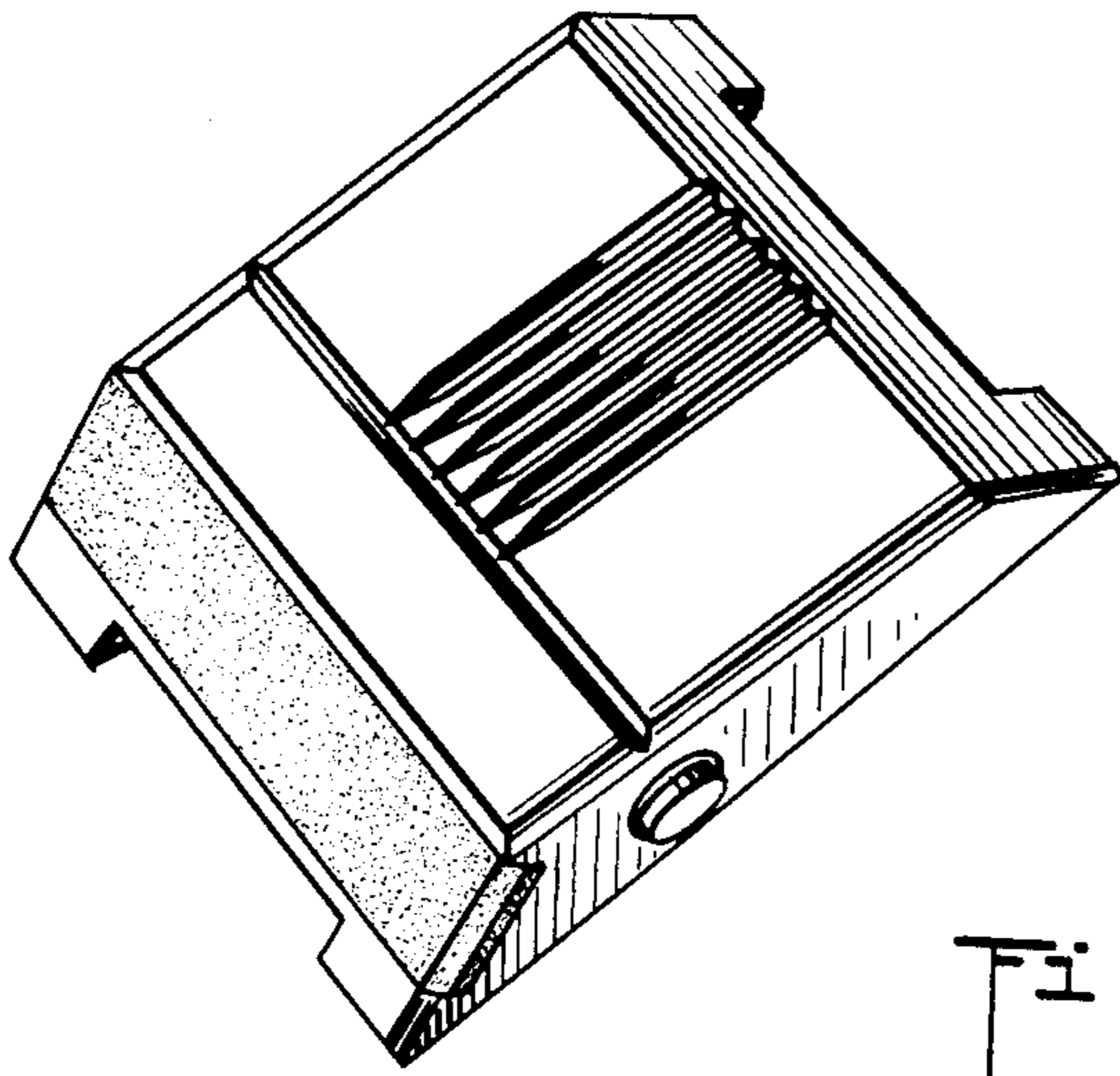


Fig. 7.

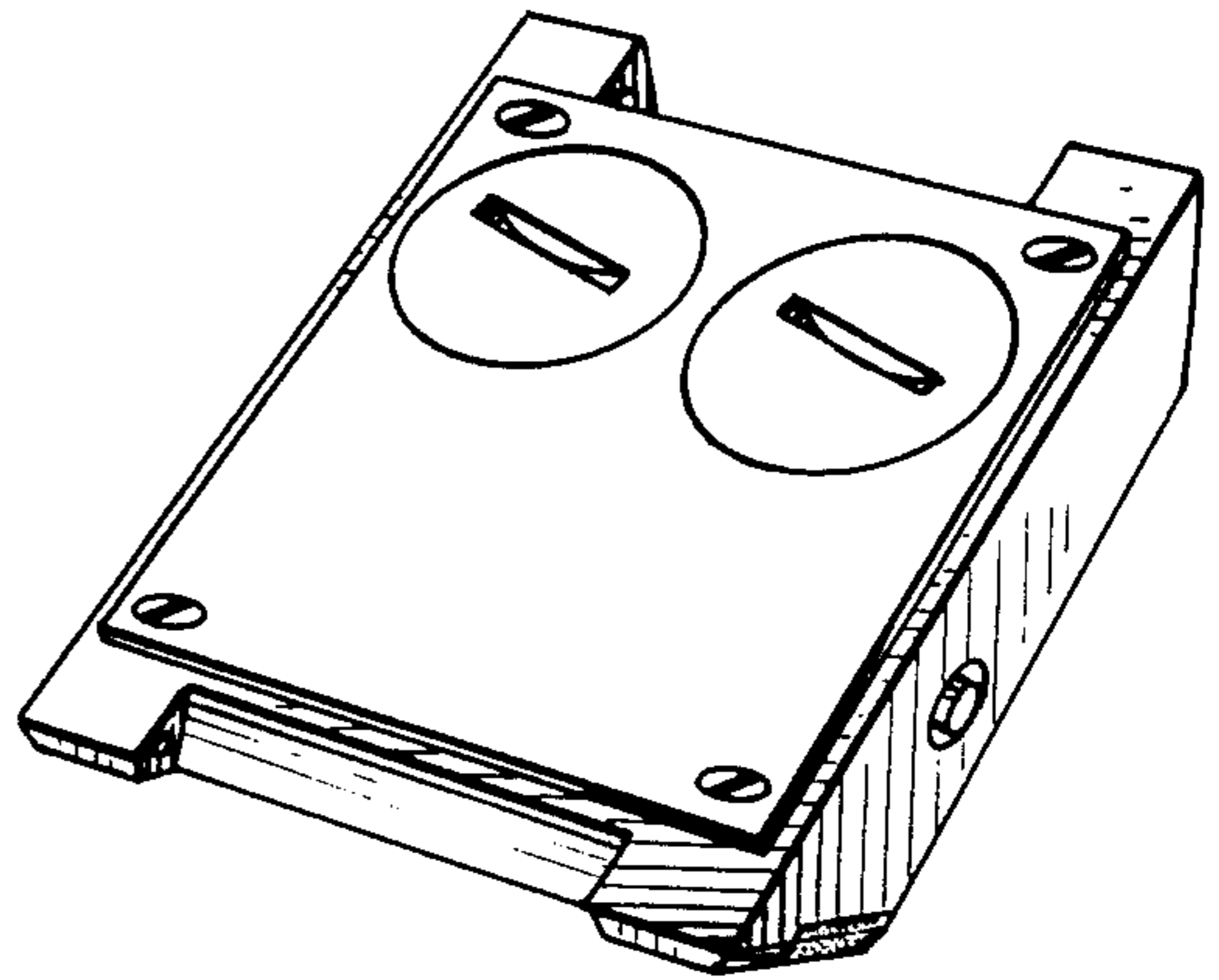


Fig. 2.

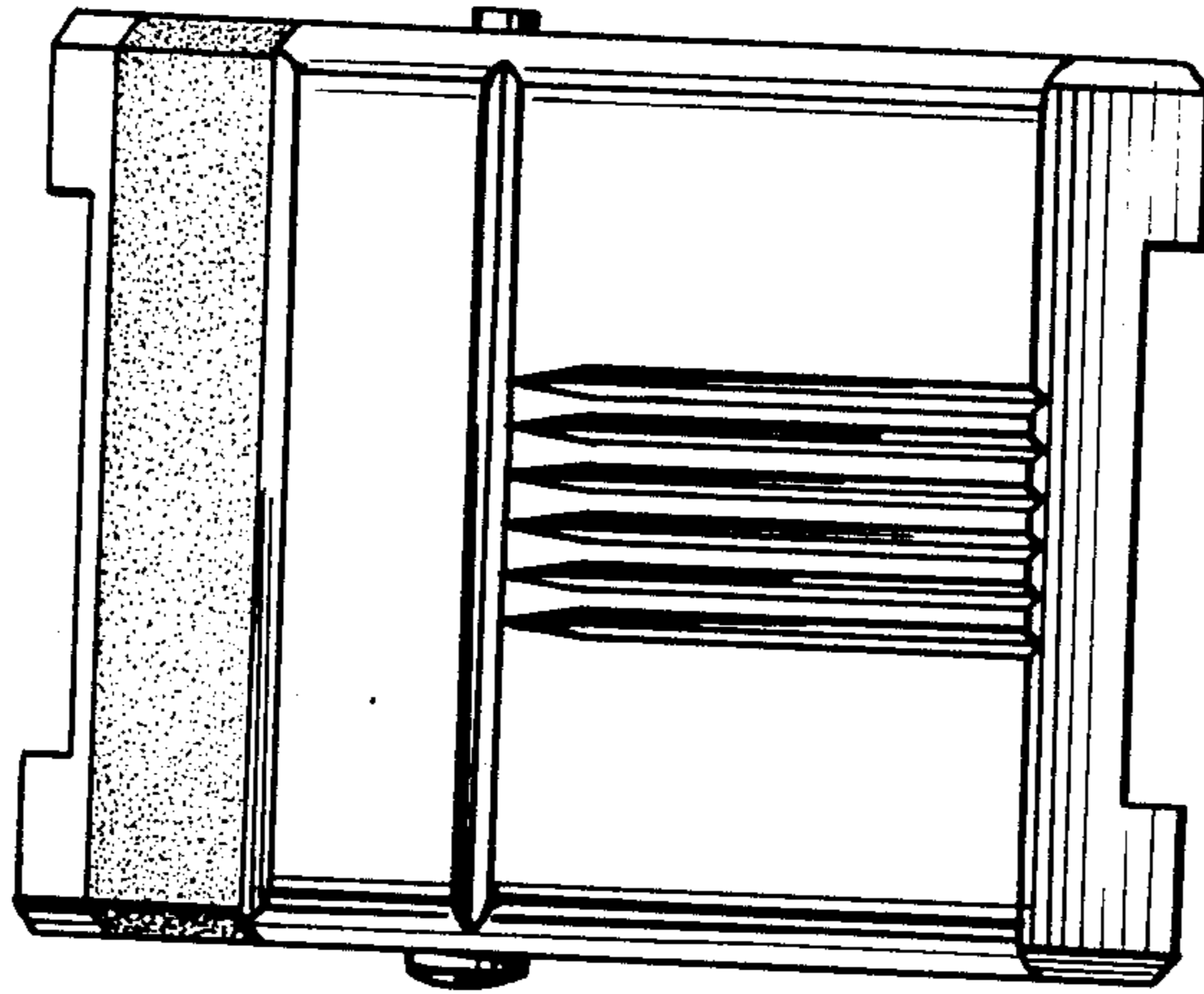


Fig. 3.

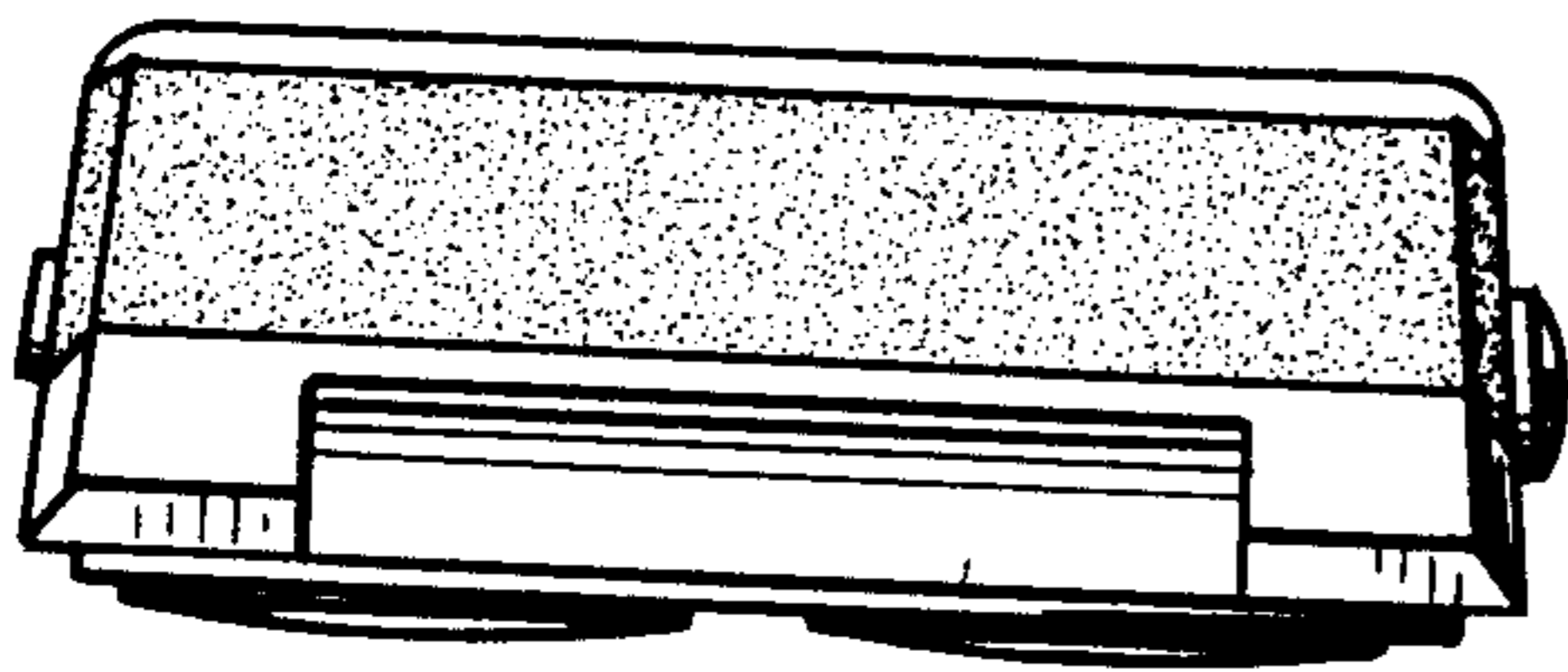


Fig. 4.

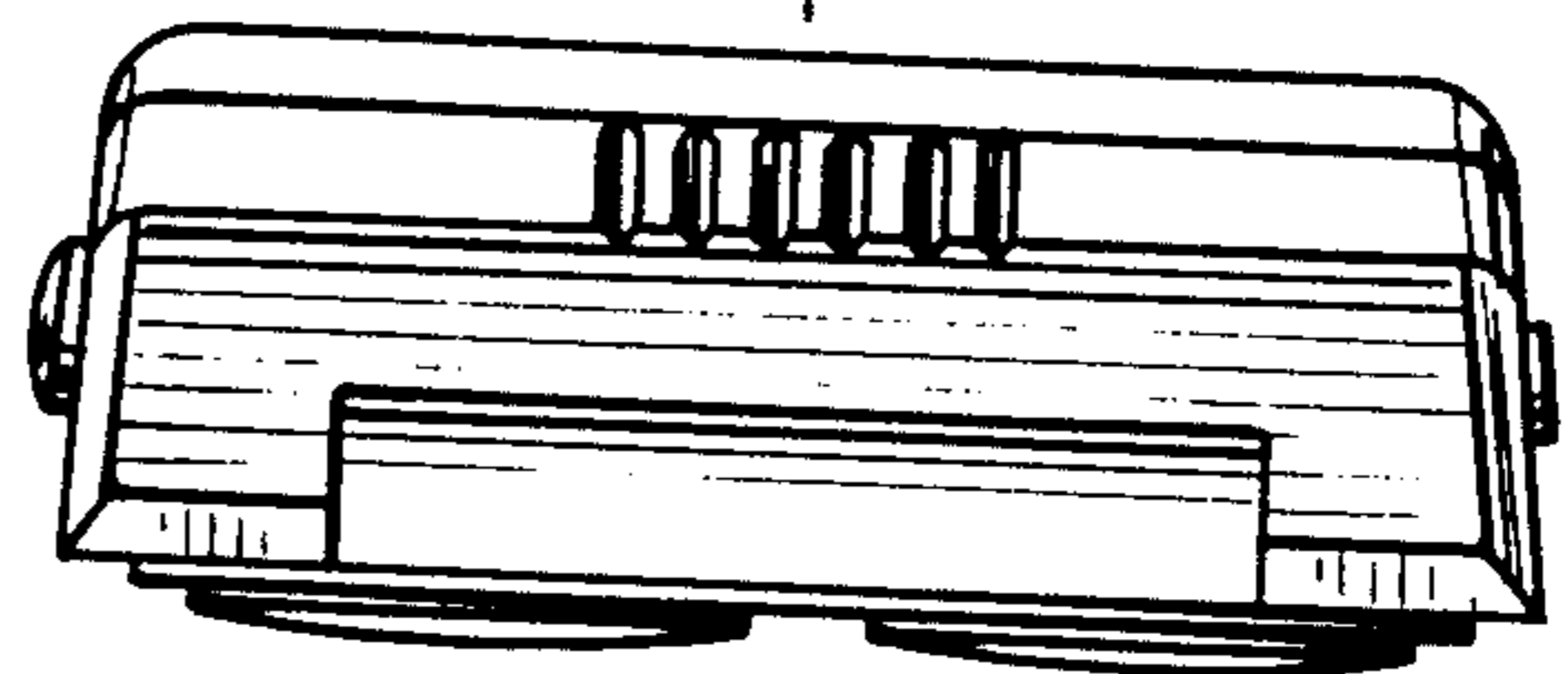


Fig. 5.

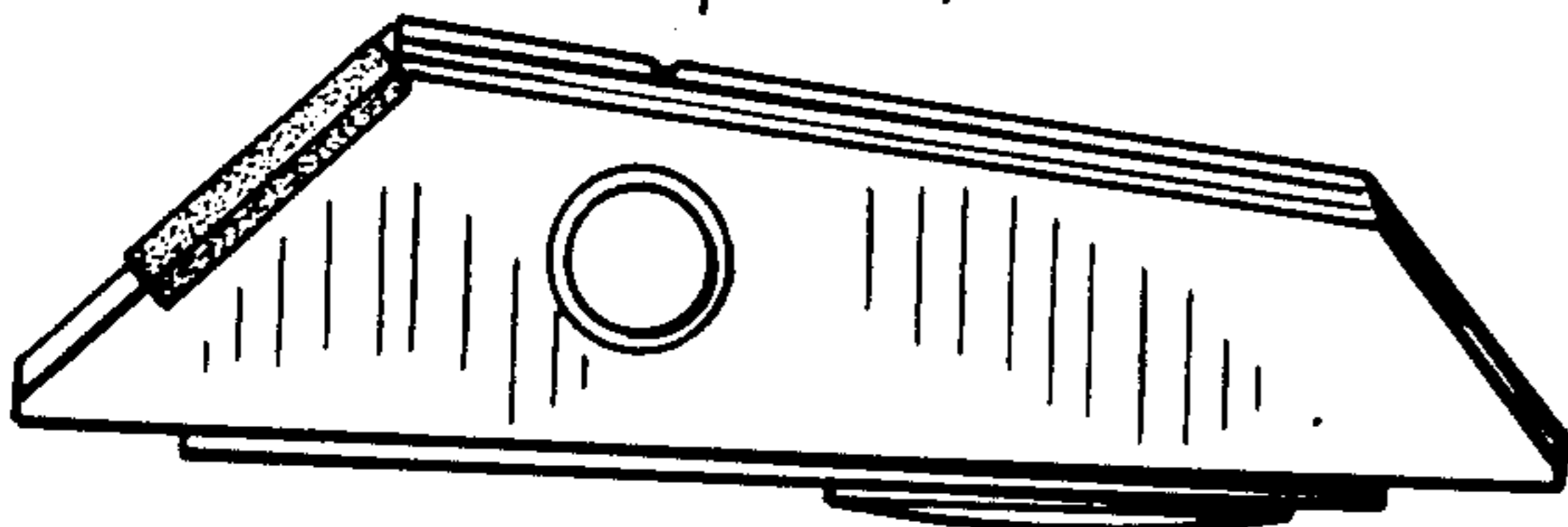


Fig. 6.

