

[54] **COMBINED COLLAPSIBLE TUBE AND CAP ASSEMBLY**

2,792,149 5/1957 Lutz 222/107
3,381,857 5/1968 Francis D9/194 X
3,486,666 12/1969 Herzig et al. D9/194 X

[76] Inventor: **David E. Hoy**, 2100 Jefferson St., Paducah, Ky. 42001

Primary Examiner—Robert C. Spangler
Attorney, Agent, or Firm—Allan M. Lowe

[**] Term: **14 Years**

[21] Appl. No.: **636,459**

[57] **CLAIM**

[22] Filed: **Dec. 1, 1975**

The ornamental design for a combined collapsible tube and cap, as shown and described.

[51] Int. Cl. **D9-99**

DESCRIPTION

[52] U.S. Cl. **D9/194**

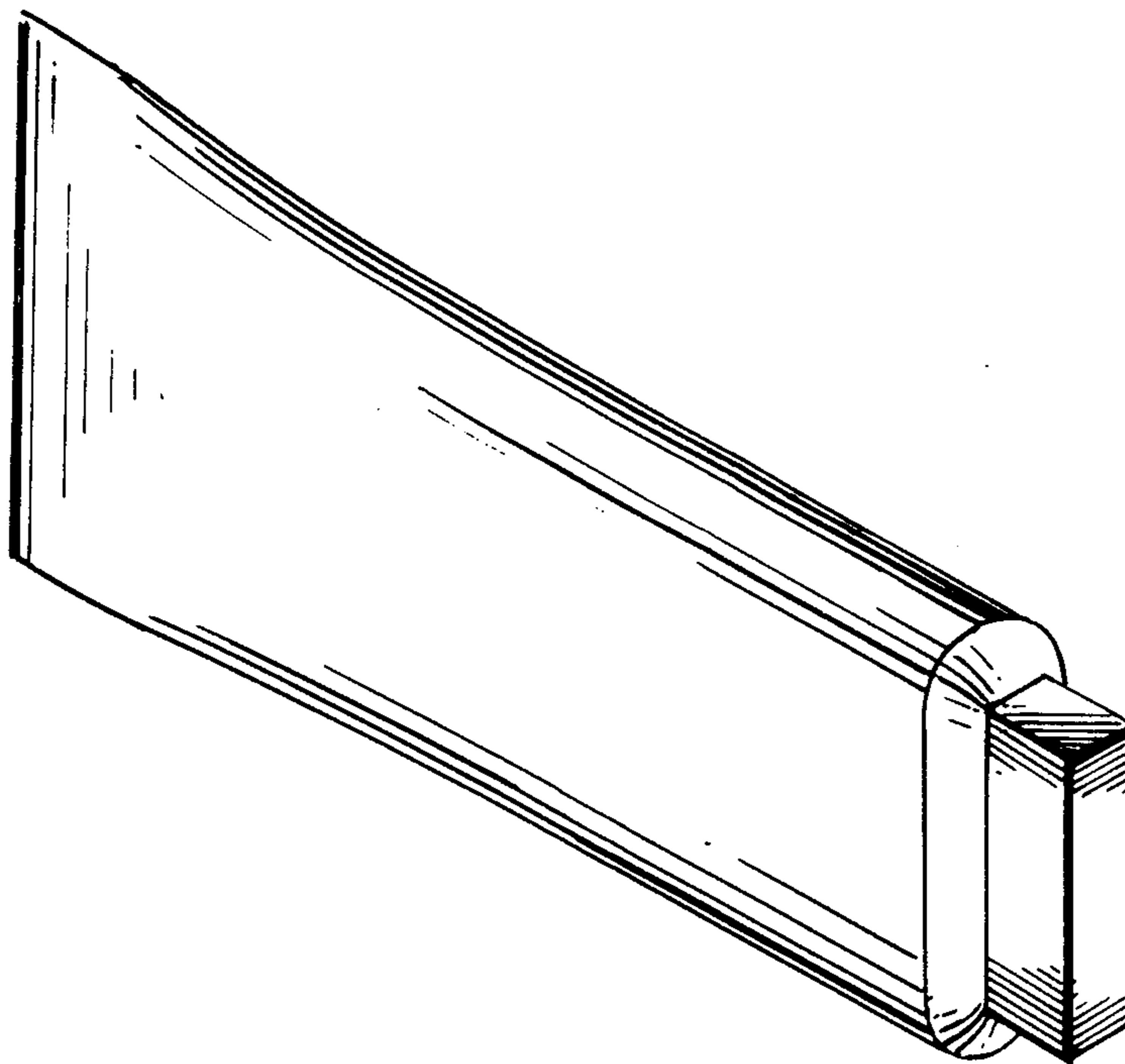
[58] Field of Search 222/92-107;
D9/194

FIG. 1 is a perspective view of a combined collapsible tube and cap showing my new design;
FIG. 2 is a front elevational view, the rear being the same in appearance;
FIG. 3 is a side elevational view;
FIG. 4 is a top plan view; and
FIG. 5 is a bottom plan view.

[56] **References Cited**

U.S. PATENT DOCUMENTS

878,182 2/1908 Blake 222/92



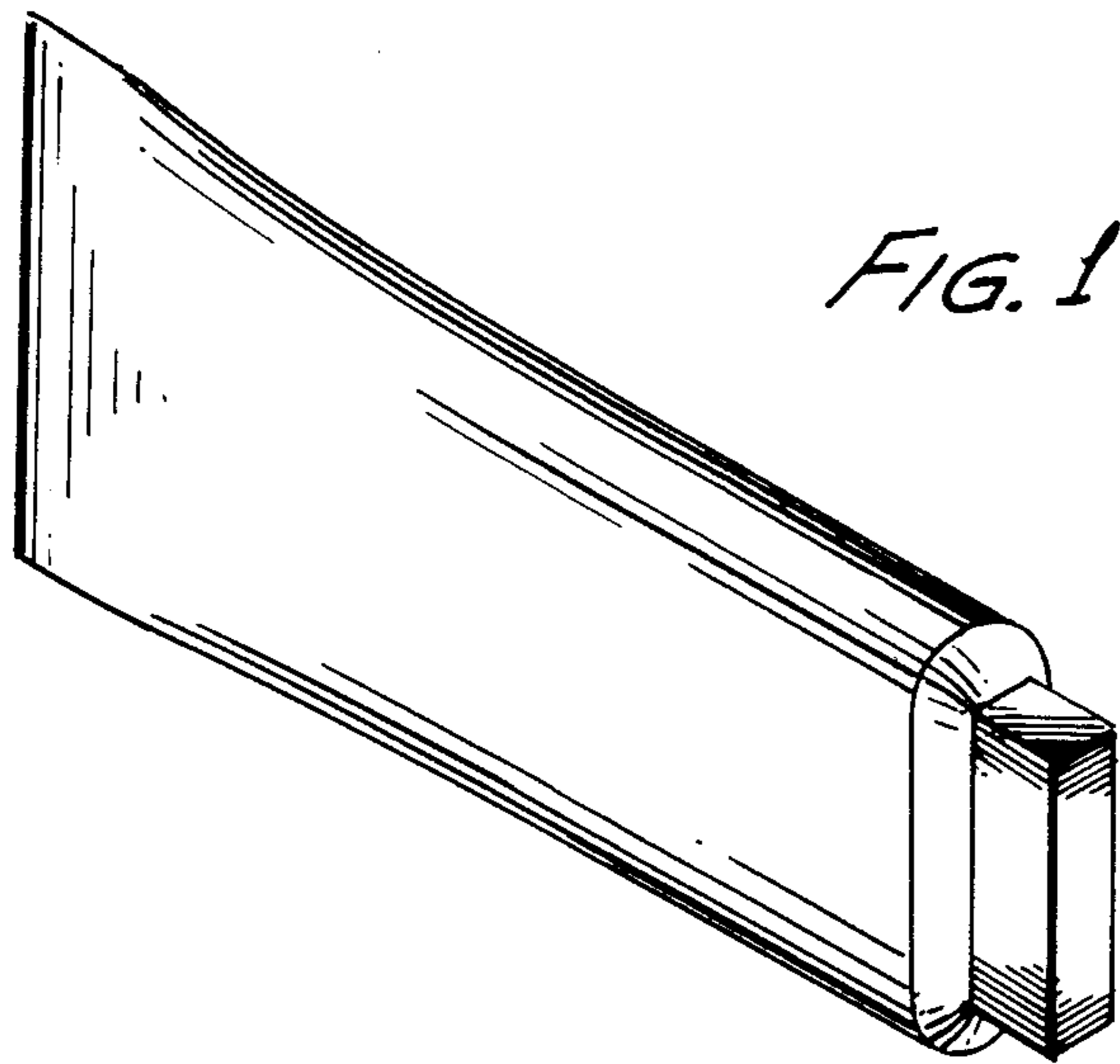


FIG. 1

FIG. 2

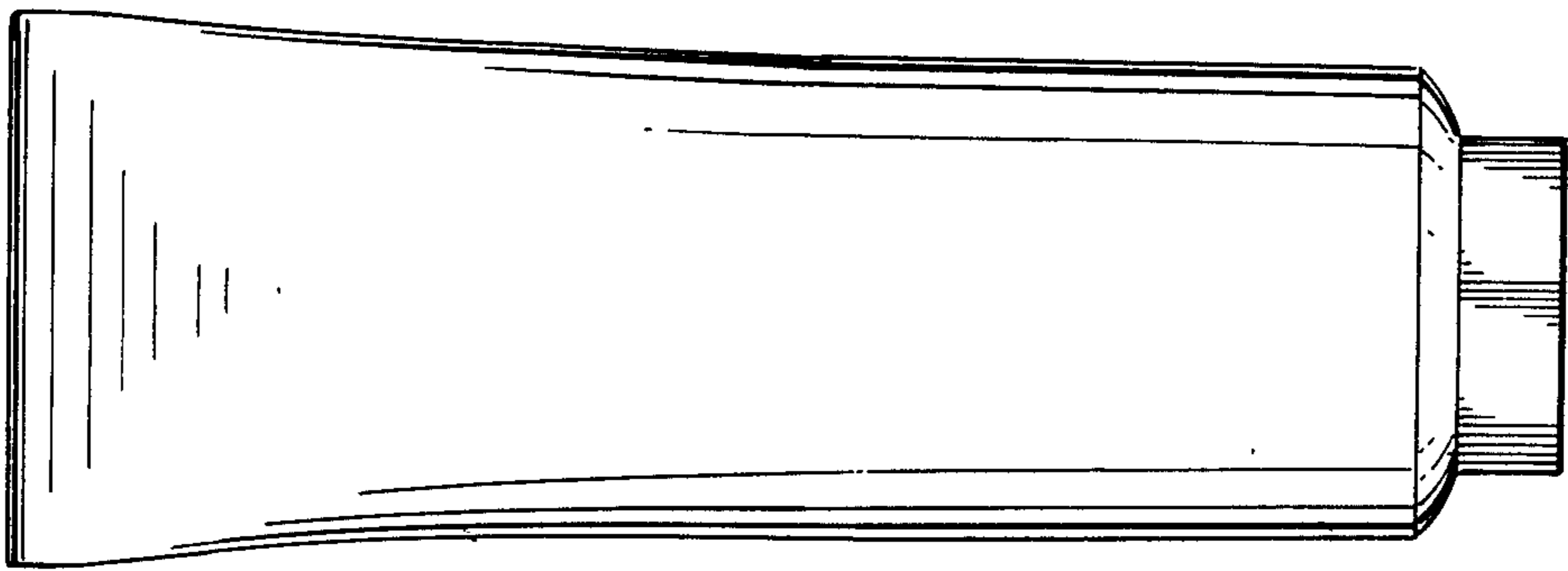


FIG. 3

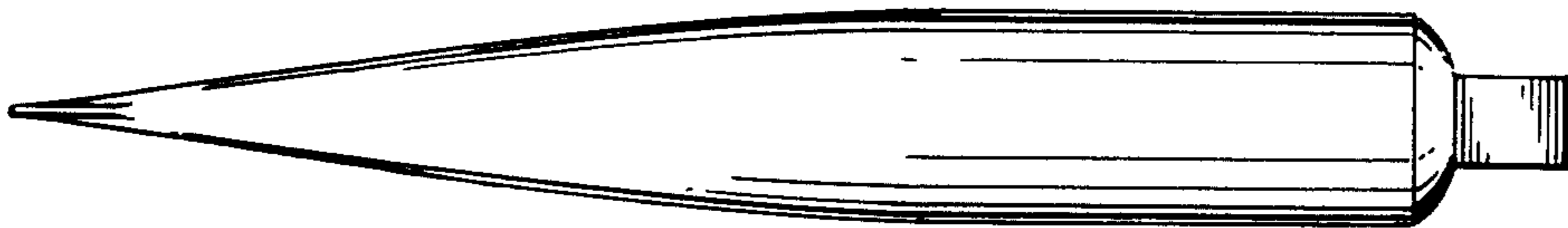


FIG. 4

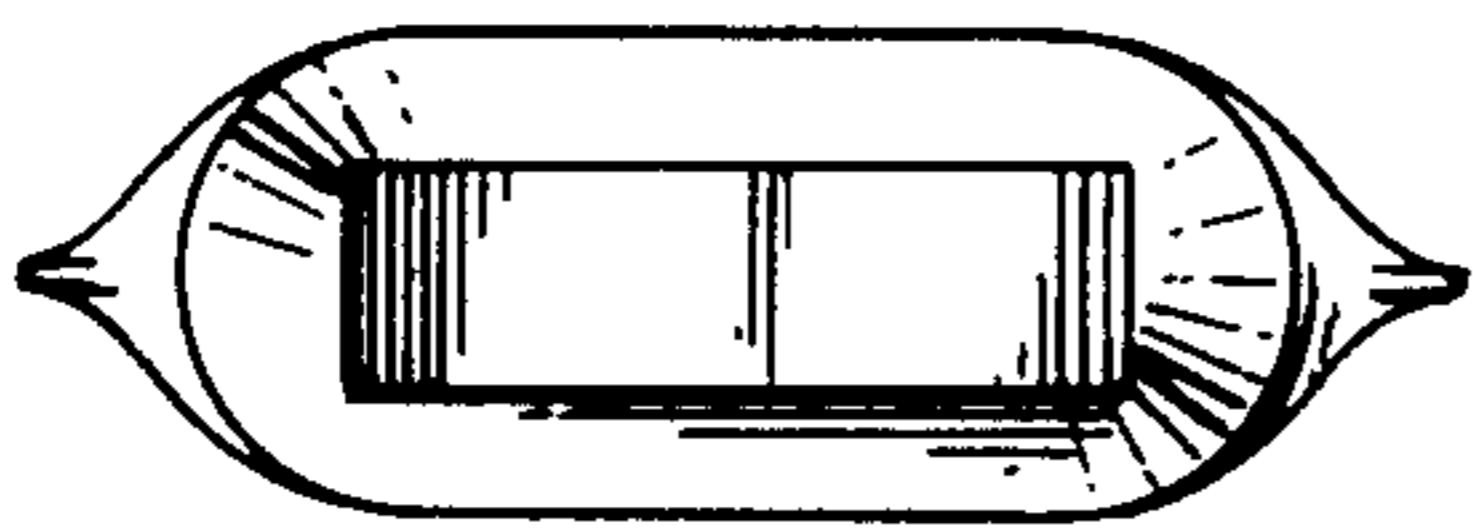


FIG. 5

