

[54] **SHIPPING DRUM OR THE LIKE**
 [75] Inventor: **Thomas E. Douglas**, Statesville, N.C.
 [73] Assignee: **Rubbermaid Industrial Products Corporation**, Statesville, N.C.
 [**] Term: **3½ Years**
 [21] Appl. No.: **608,824**
 [22] Filed: **Aug. 29, 1975**

[51] Int. Cl. **D9-02**
 [52] U.S. Cl. **D9/170**
 [58] Field of Search 220/9 E; 229/1.5, 1.5 B, 229/2.5, 3.5; D9/170, 175, 242, 216, 220; D7/187

[56] **References Cited**
U.S. PATENT DOCUMENTS

D. 211,855 8/1968 Ullman D9/170
 D. 214,997 8/1969 Churan D9/216

D. 217,019 3/1970 Churan D7/187
 D. 220,316 3/1971 Bardell et al. D9/216
 D. 223,999 6/1972 Klose D9/220
 D. 241,017 8/1976 Baker D9/216

Primary Examiner—Robert C. Spangler
Attorney, Agent, or Firm—E. R. Hamilton

[57] **CLAIM**

The ornamental design for a shipping drum or the like, as shown.

DESCRIPTION

FIG. 1 is top plan view of a shipping drum or the like embodying my new design.
 FIG. 2 is a side elevational view thereof.
 FIG. 3 is a bottom plan view thereof.
 FIG. 4 is an enlarged partial sectional view on line 4—4 of FIG. 3.
 FIG. 5 is a partial sectional view on line 5—5 of FIG. 4.
 FIG. 6 is an enlarged partial sectional view on line 6—6 of FIG. 3.

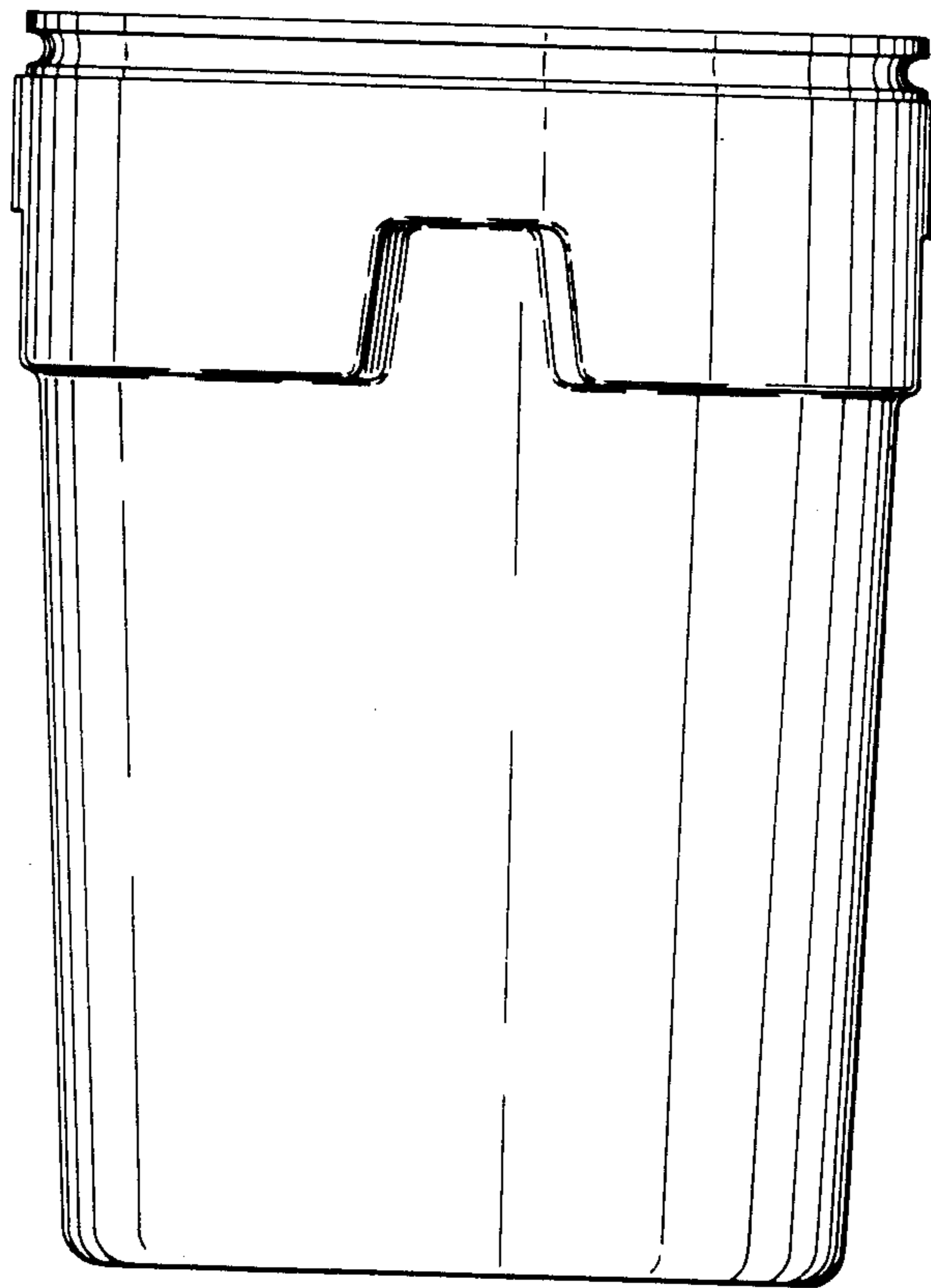


FIG. 1

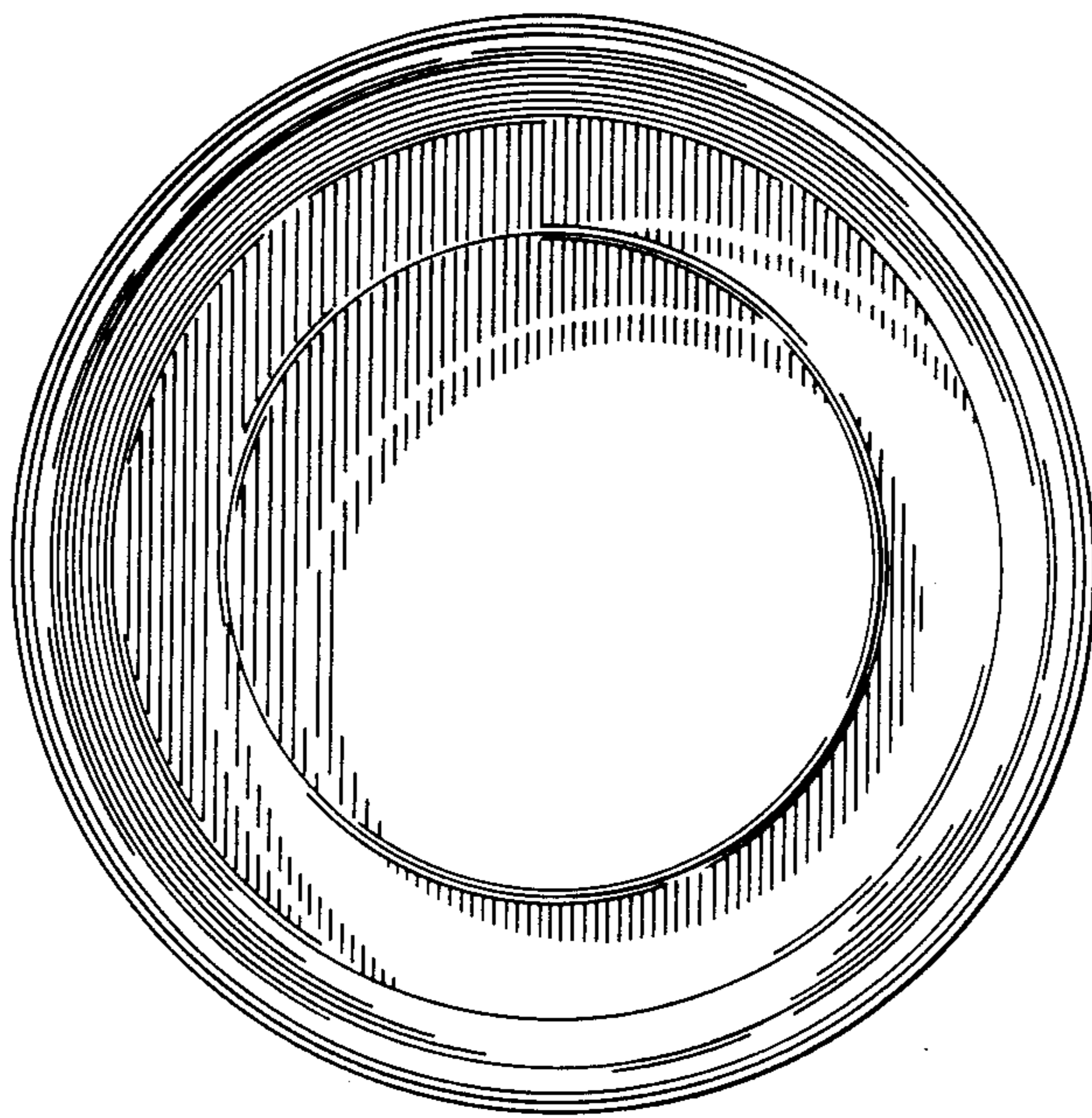


FIG. 2

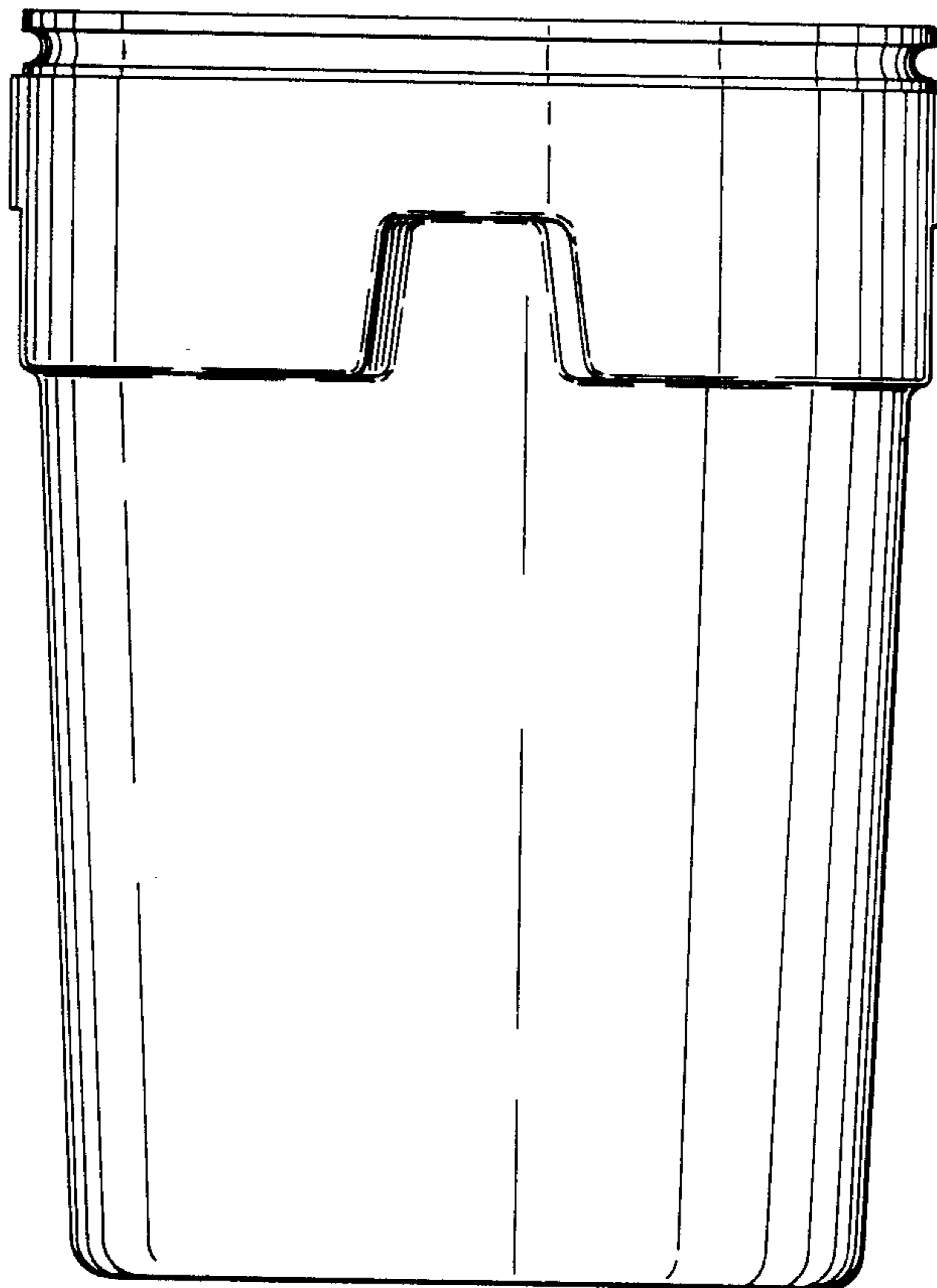


FIG. 3

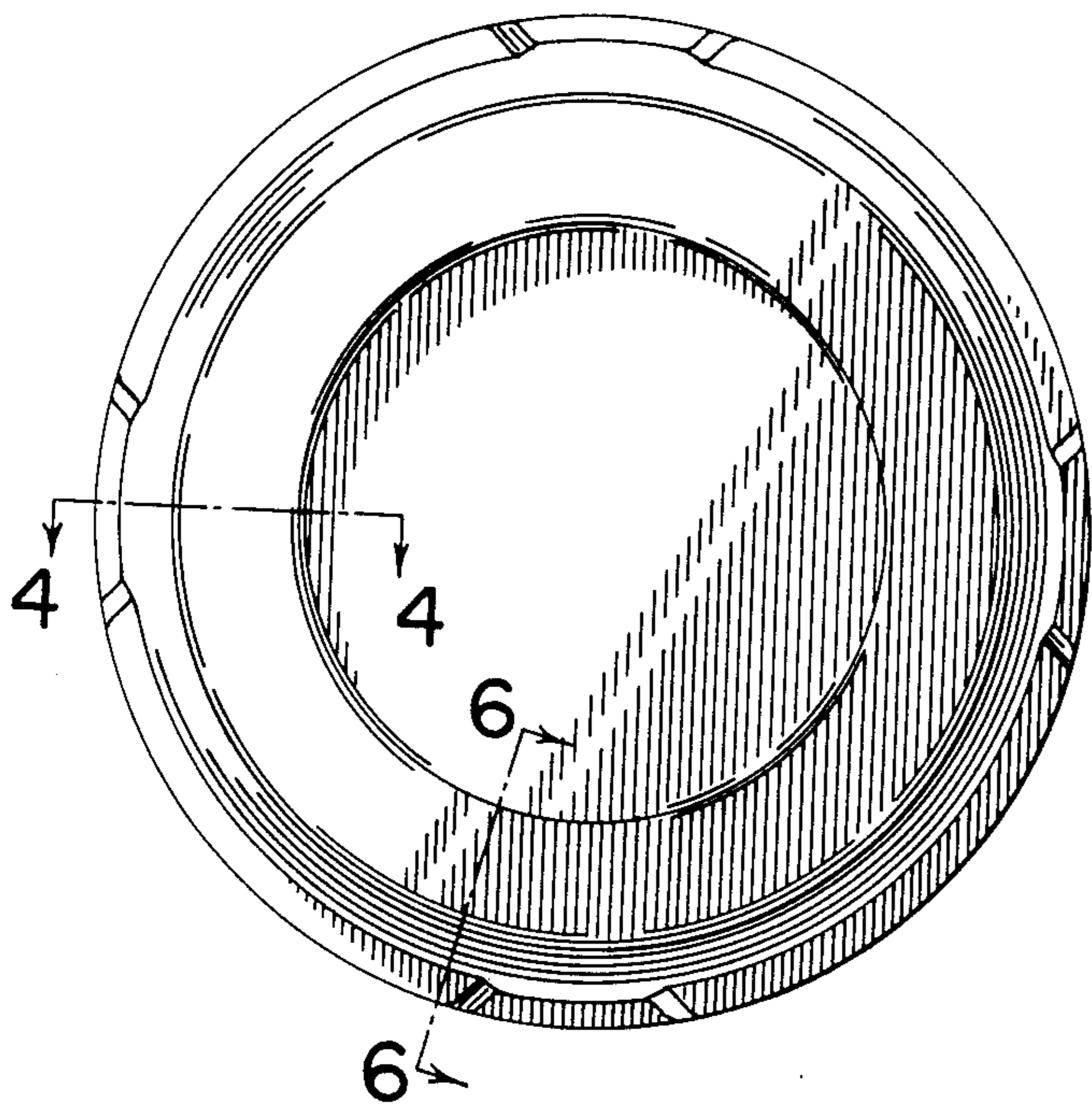


FIG. 4

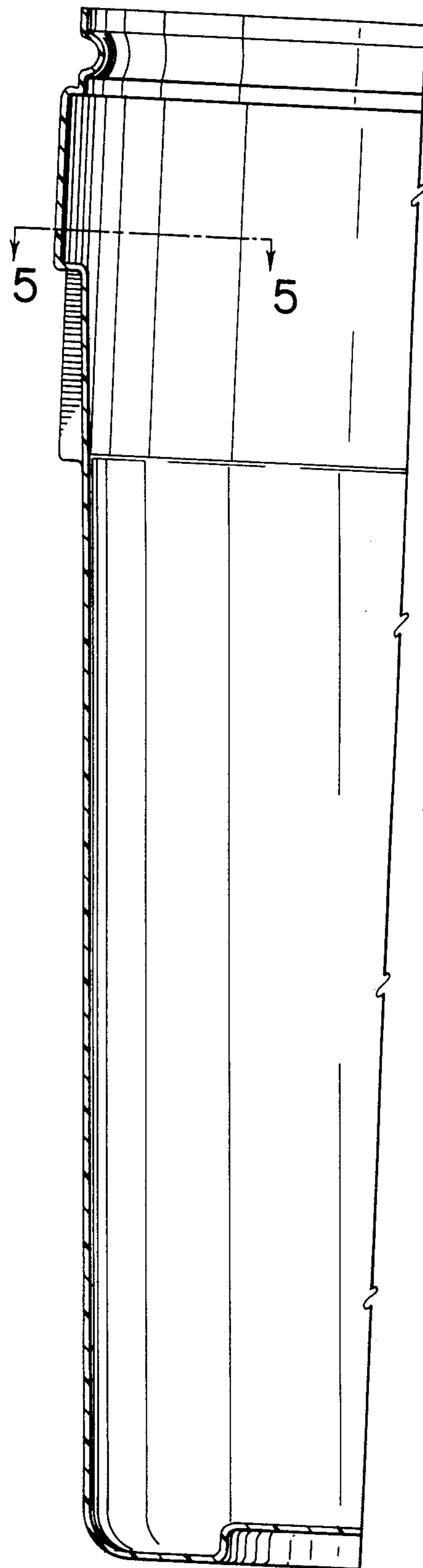


FIG. 5

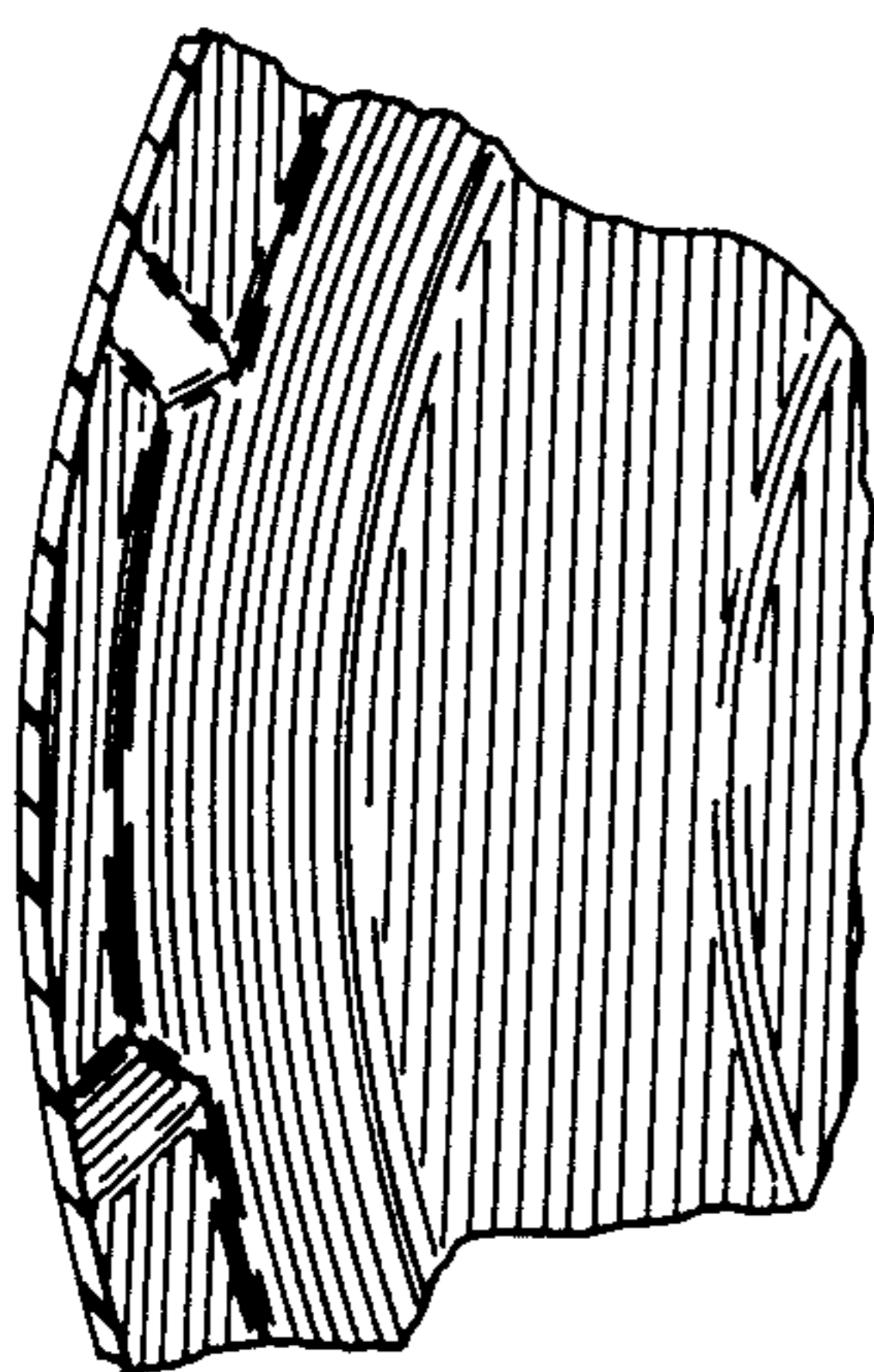


FIG. 6

