

[54] **CHAIR CONTROL UNIT**

[76] Inventor: **Frank Doerner**, 138 Aberdeen Road,  
Kitchener, Ontario, Canada

[\*\*] Term: **14 Years**

[21] Appl. No.: **655,409**

[22] Filed: **Feb. 5, 1976**

[51] Int. Cl. .... **D6-06**

[52] U.S. Cl. .... **D6/191**

[58] Field of Search ..... D6/26, 30, 31, 22, 194,  
D6/191, 197; D248/378, 381

3,675,887 7/1972 Meinhardt ..... 248/378

**FOREIGN PATENT DOCUMENTS**

774,926 1/1968 Canada ..... 248/381

*Primary Examiner*—Bruce W. Dunkins  
*Attorney, Agent, or Firm*—Georges H. Riches

[57] **CLAIM**

The ornamental design for a chair control unit, substantially as shown.

**DESCRIPTION**

FIG. 1 is a top plan view of a chair control unit showing my design.

FIG. 2 is a side view thereof.

FIG. 3 is an underneath view thereof.

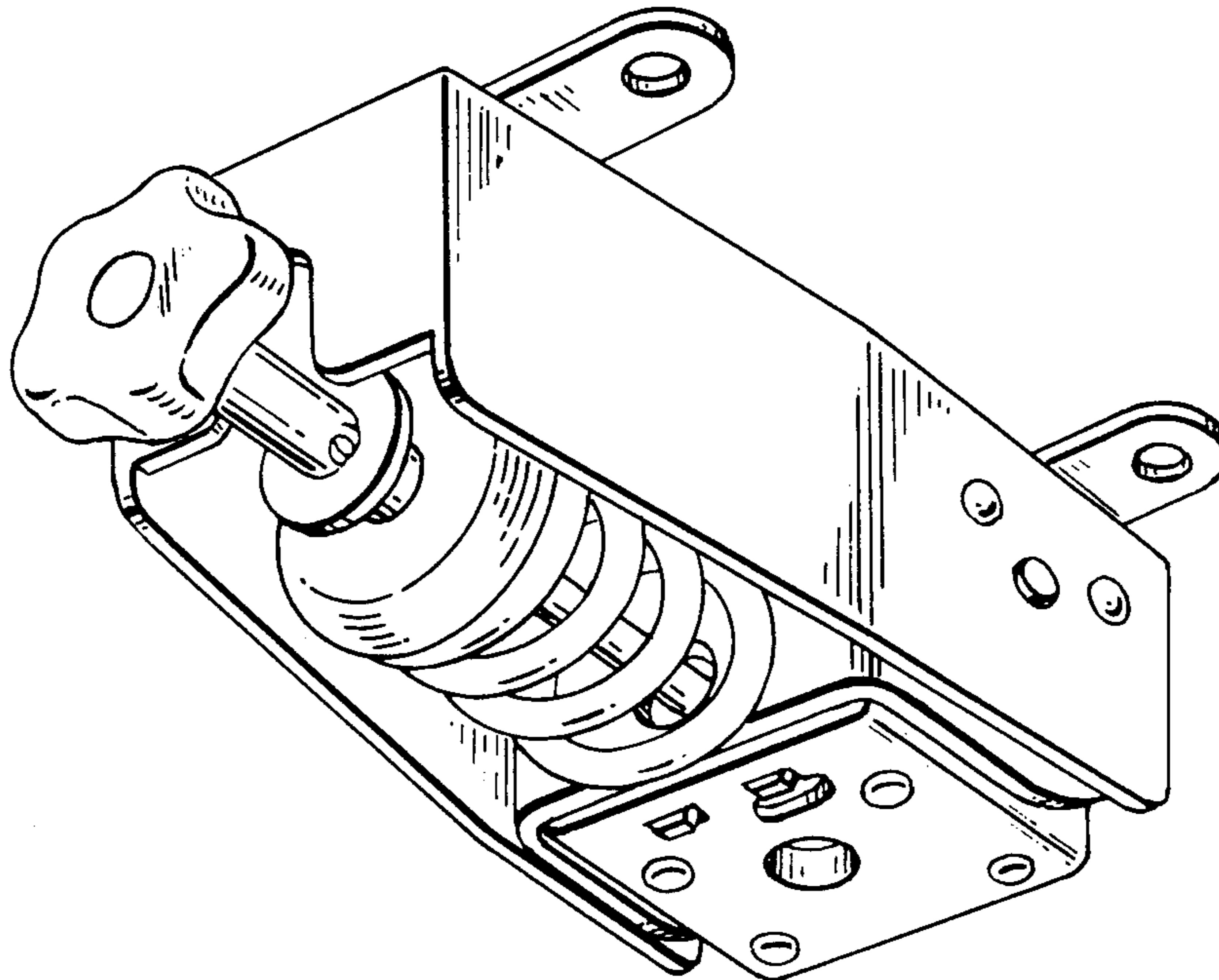
FIG. 4 is a back end view thereof.

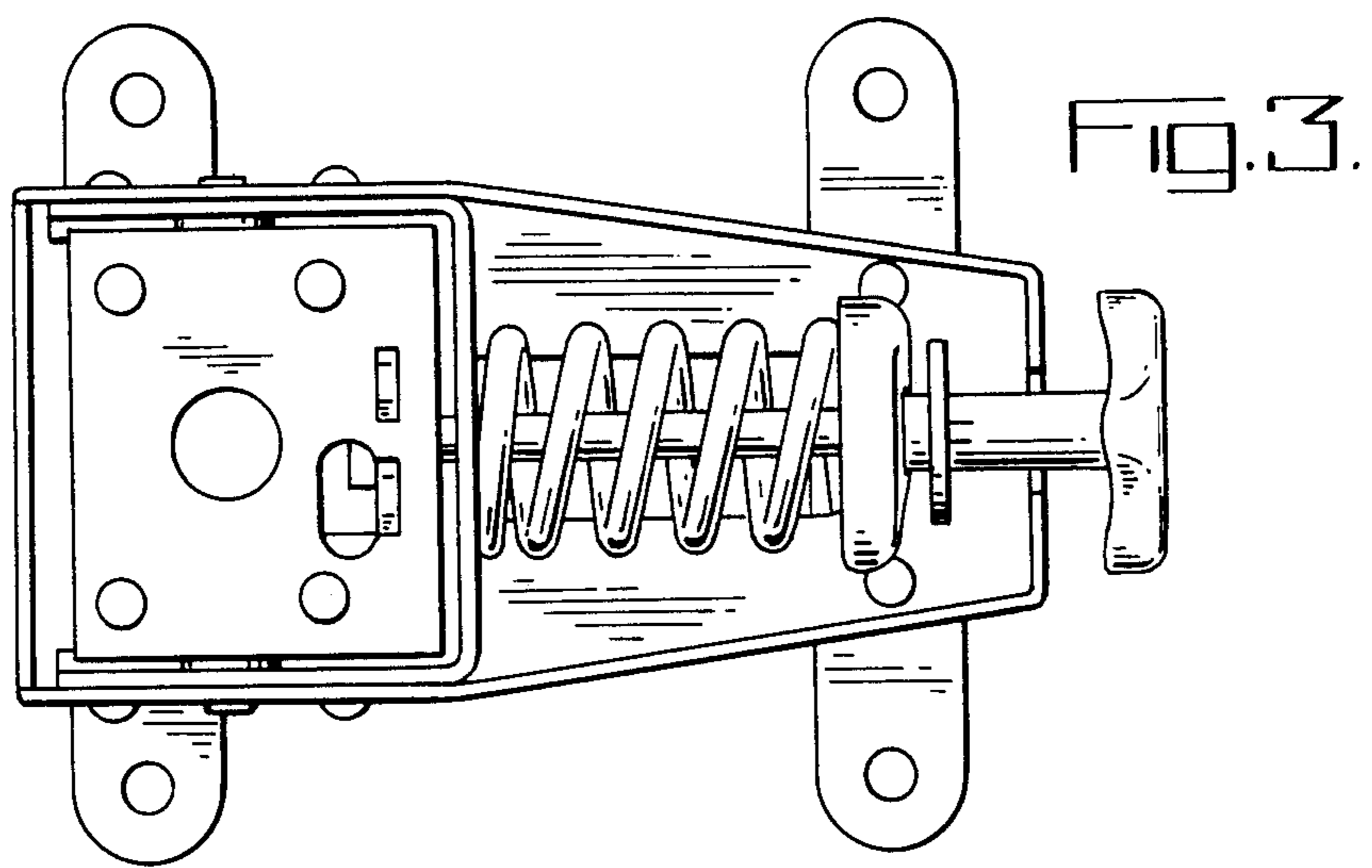
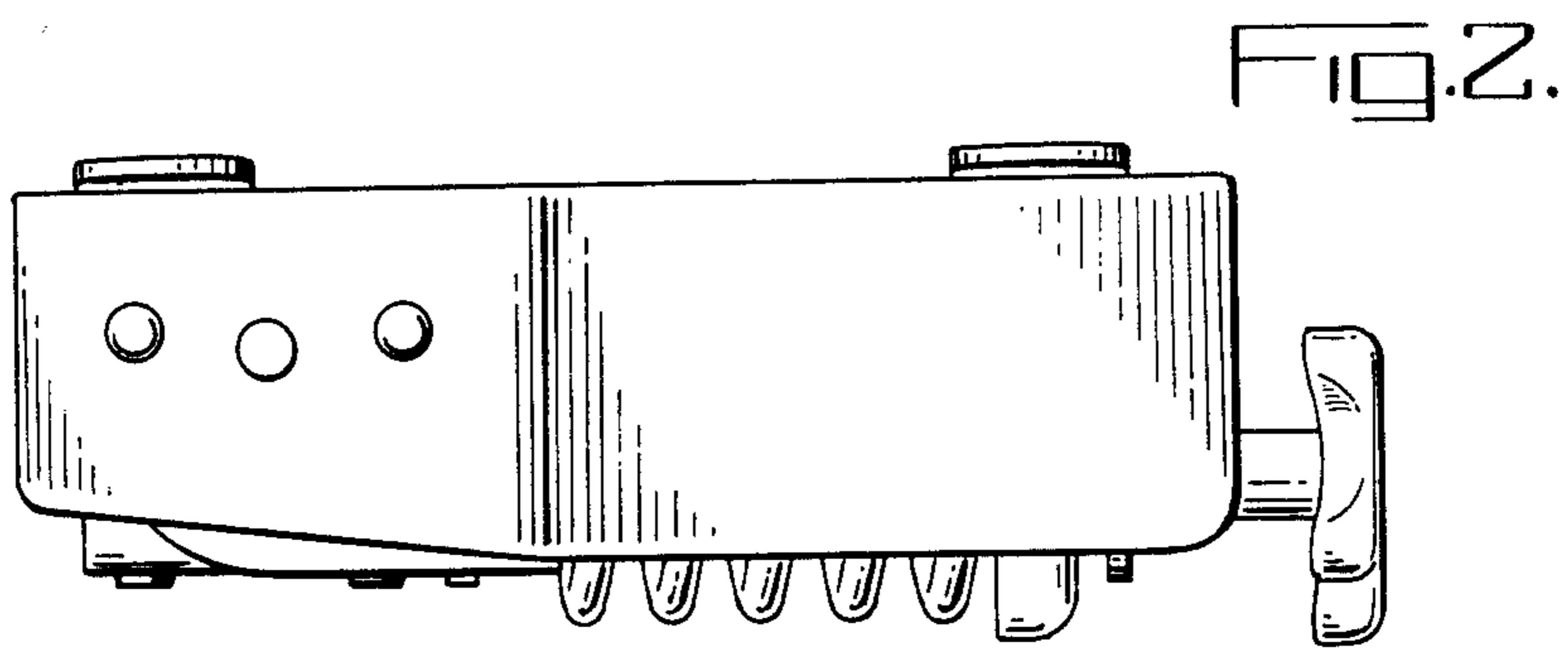
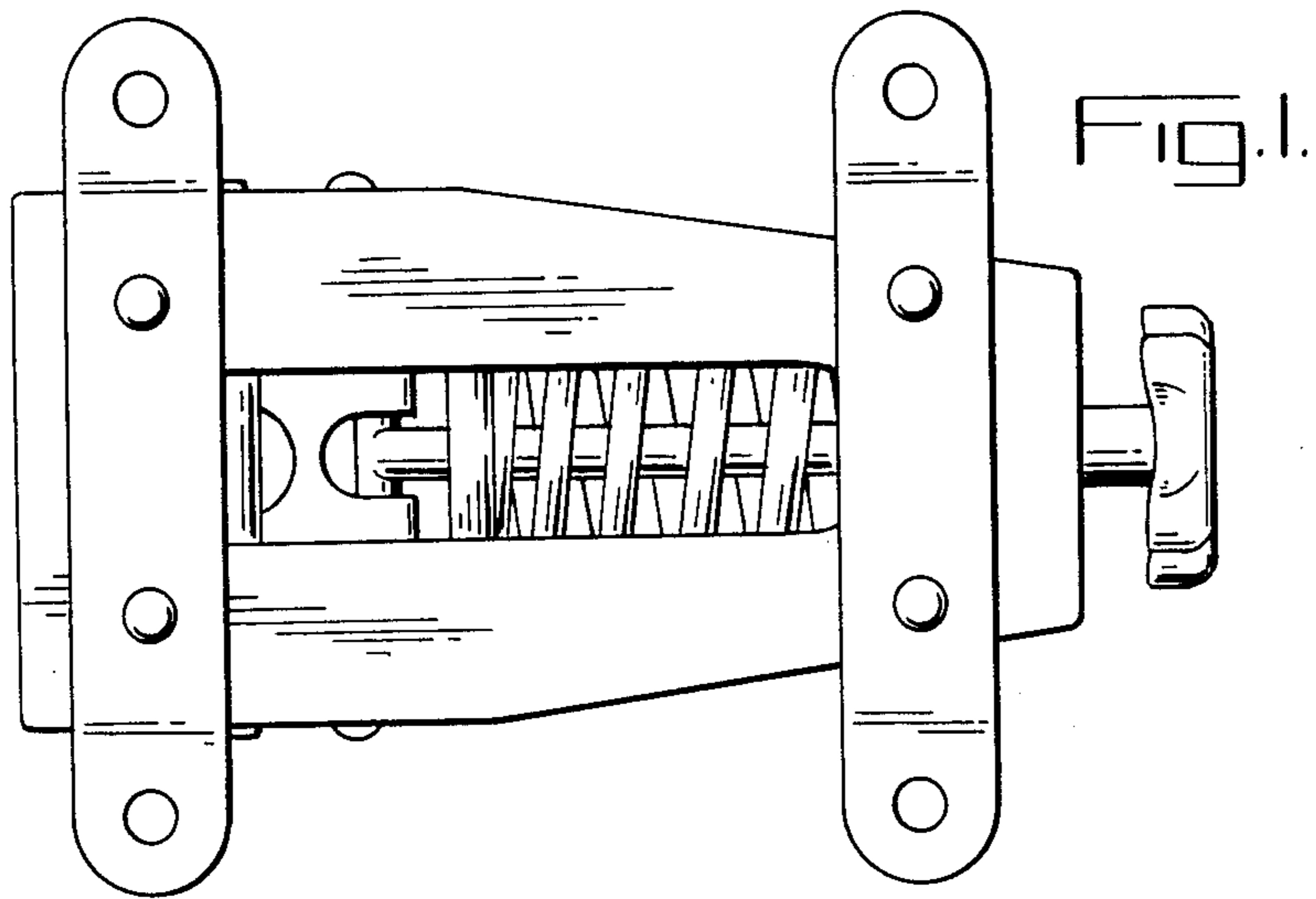
FIG. 5 is an underneath perspective view thereof.

FIG. 6 is a top perspective view thereof.

[56] **References Cited**  
**U.S. PATENT DOCUMENTS**

2,008,209 7/1935 Herold ..... 248/378 X  
3,656,805 4/1972 Engstrom ..... 248/381 X





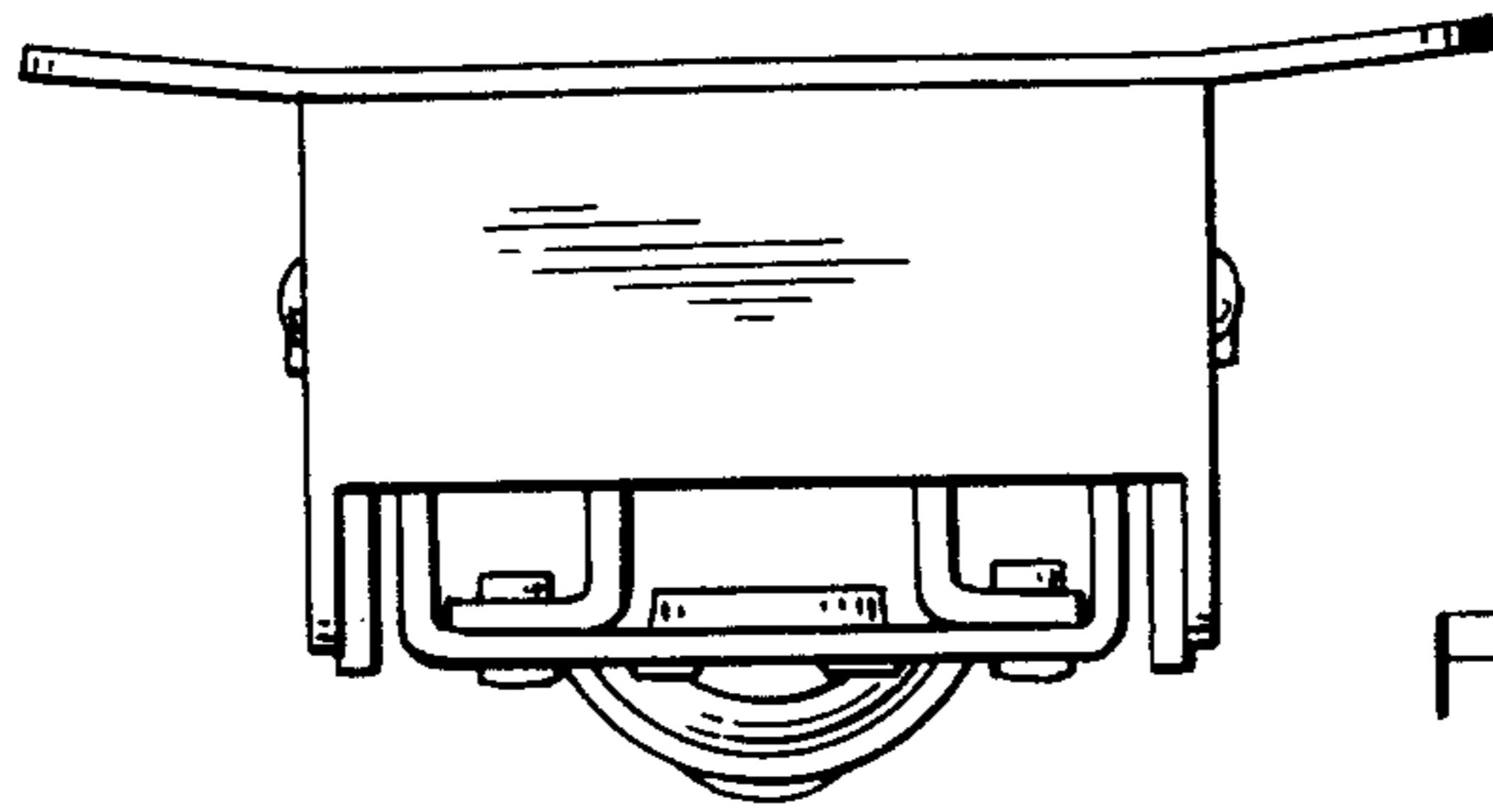


FIG. 4.

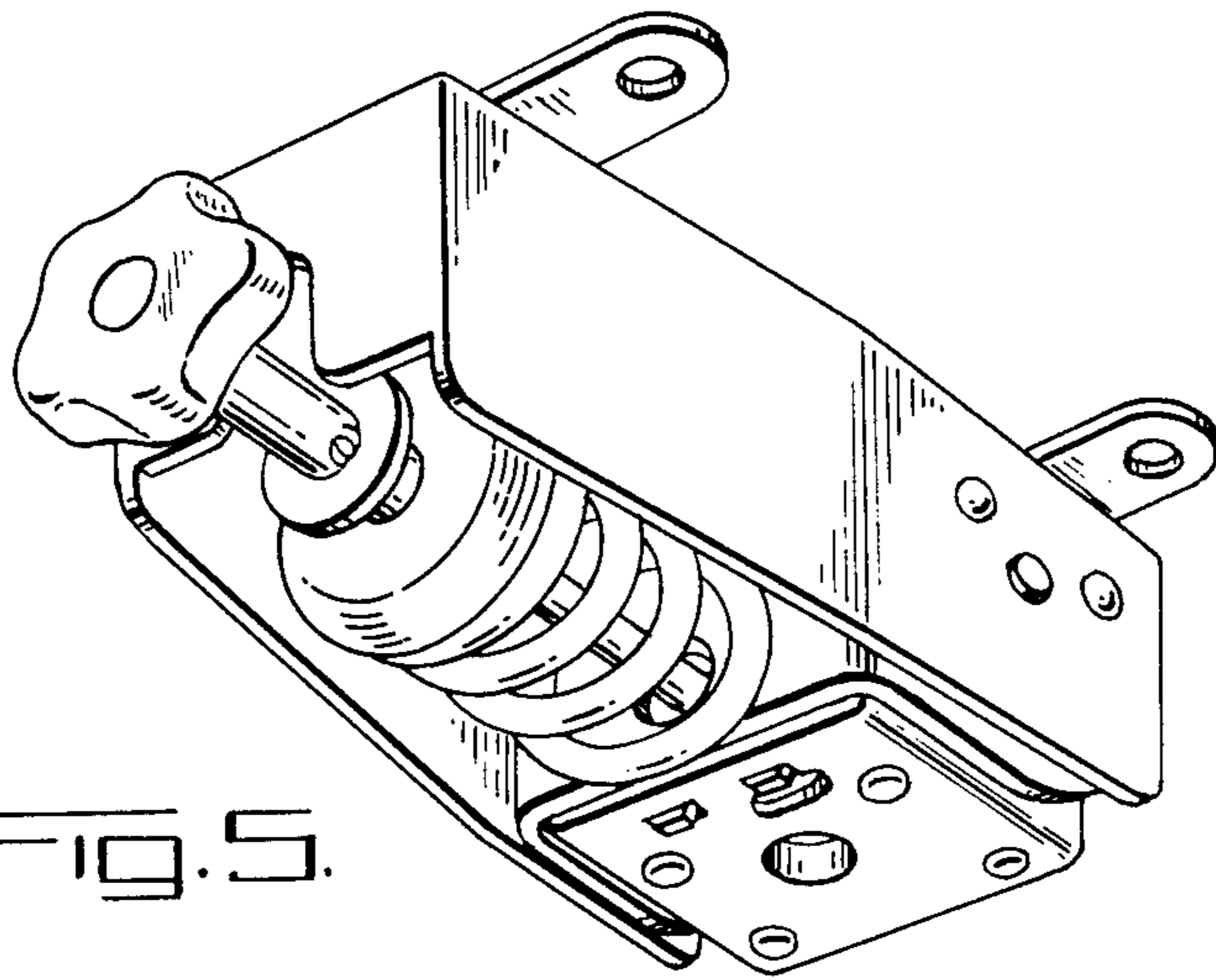


FIG. 5.

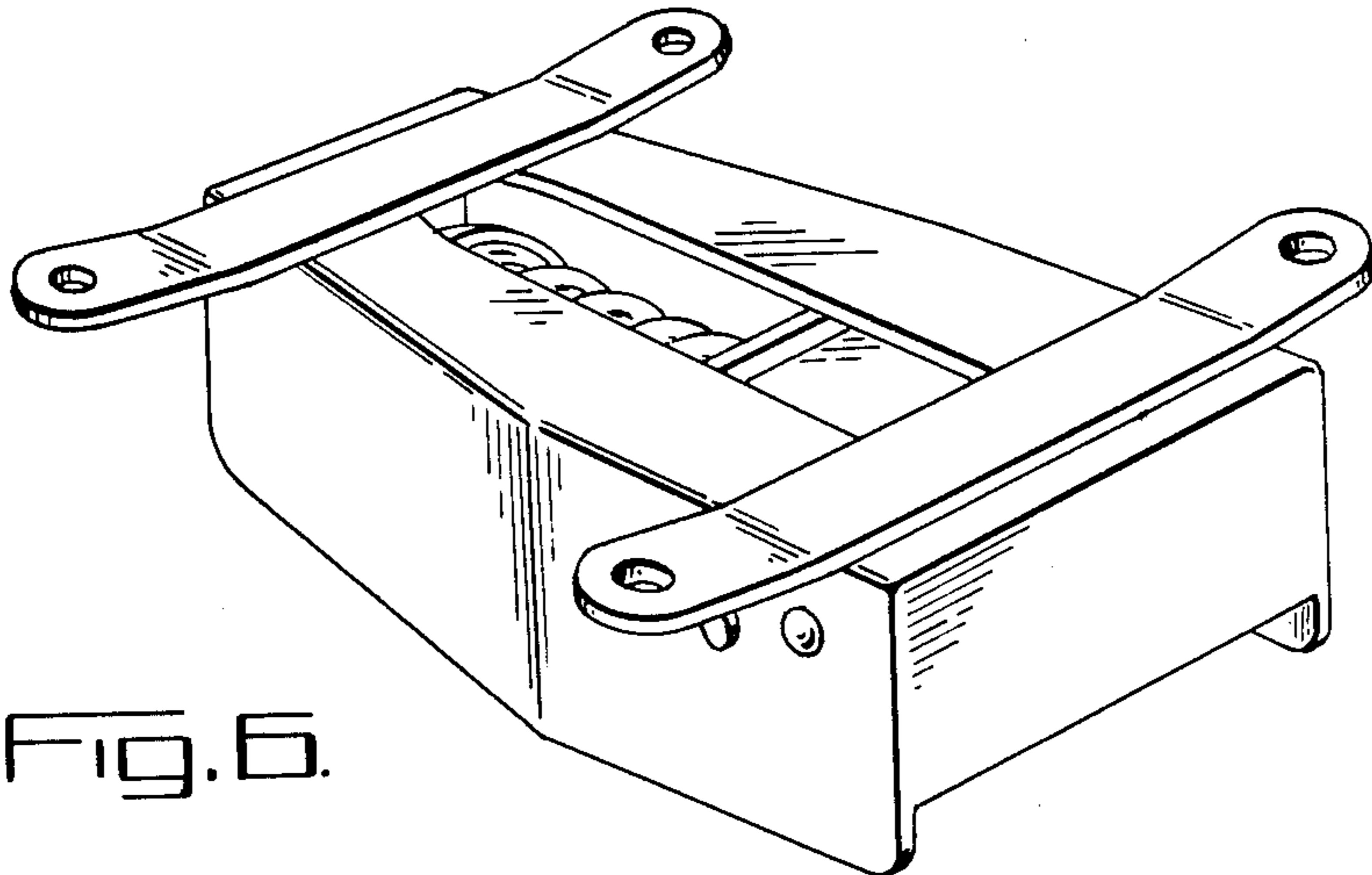


FIG. 6.