

[54] SEAT

[76] Inventors: **Aubrey Amey**, deceased, late of New York, N.Y. by **Greta A. Beckner**, administratrix, 2703 Case Road, Columbus, Ohio 43220

[**] Term: **14 Years**

[21] Appl. No.: **574,109**

[22] Filed: **May 2, 1975**

[51] Int. Cl. **D6-01**

[52] U.S. Cl. **D6/63**

[58] Field of Search **D6/37-39, D6/47-78; 297/285, 353**

[56]

References Cited

U.S. PATENT DOCUMENTS

D. 94,228	1/1935	Lipps	D6/63
D. 126,593	4/1941	Rohde	D6/67
D. 238,836	2/1976	Costabile	D6/63

Primary Examiner—Bruce W. Dunkins
Attorney, Agent, or Firm—George B. Finnegan, Jr.

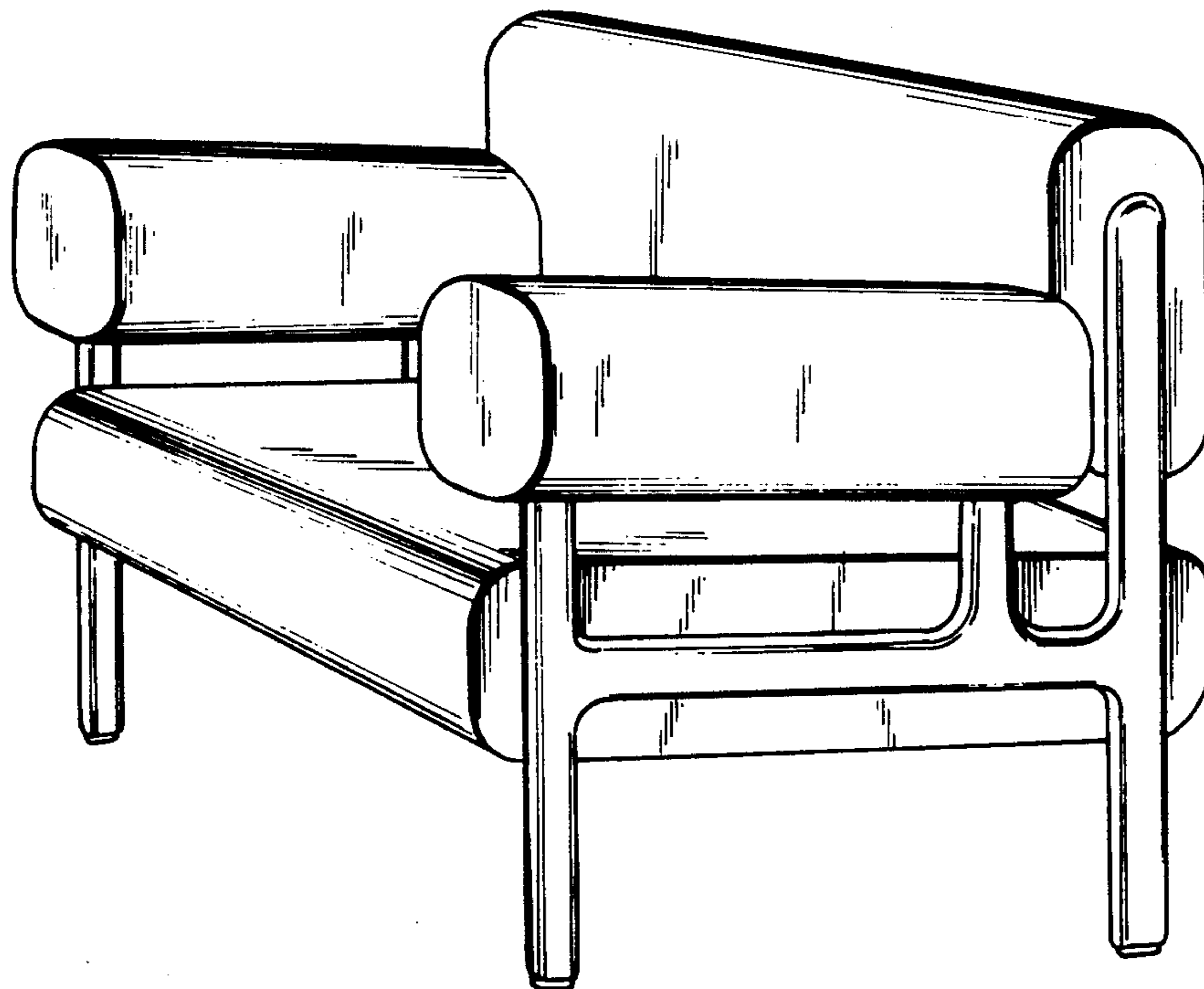
[57]

CLAIM

The ornamental design for a seat, substantially as shown and described.

DESCRIPTION

FIG. 1 is a side perspective view of a seat showing the design in the form of a chair; and FIG. 2 is a side perspective view of the seat shown in the form of a loveseat. The end of the seat not shown is a mirror image of the end shown while the back is the same as the front.



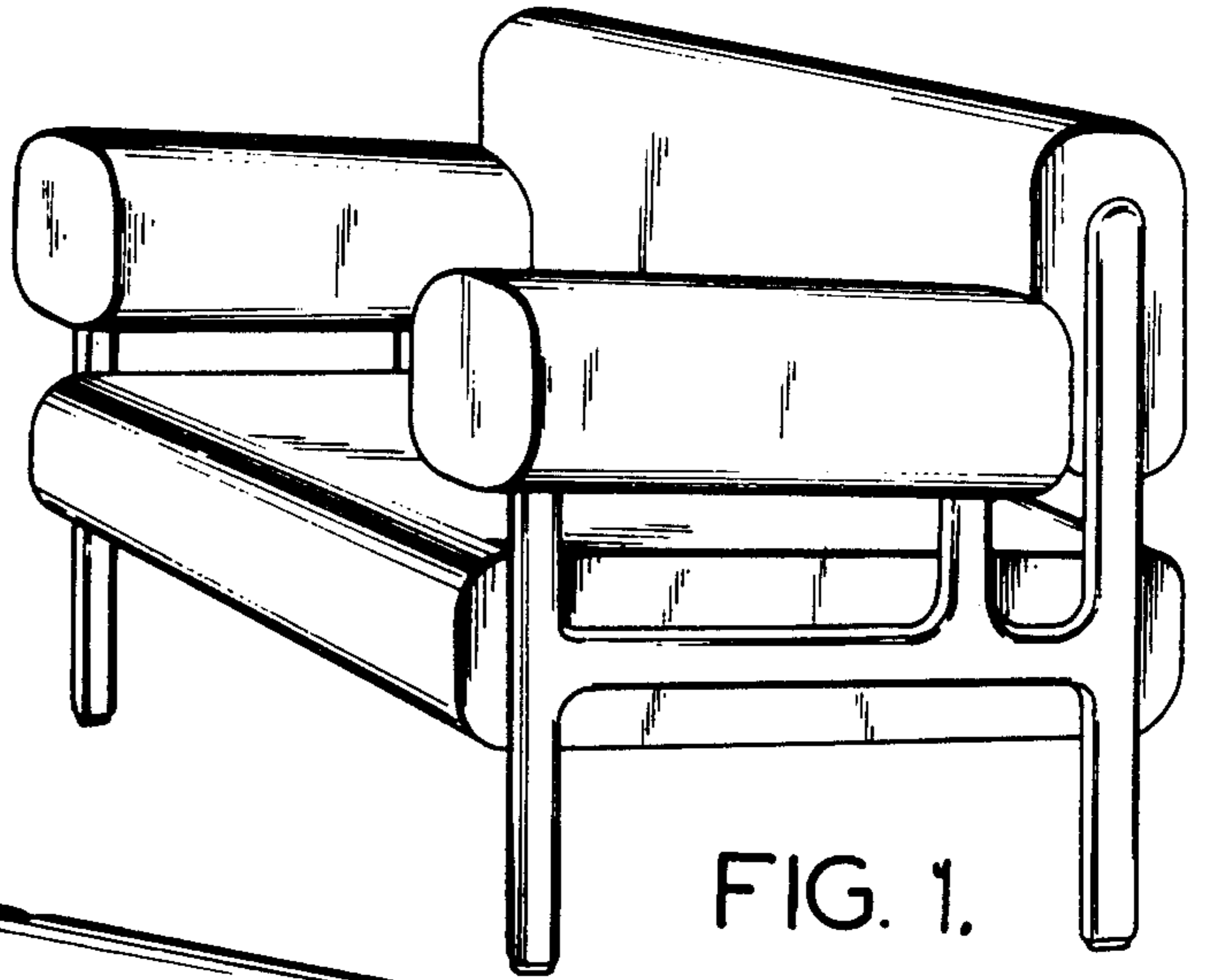


FIG. 1.

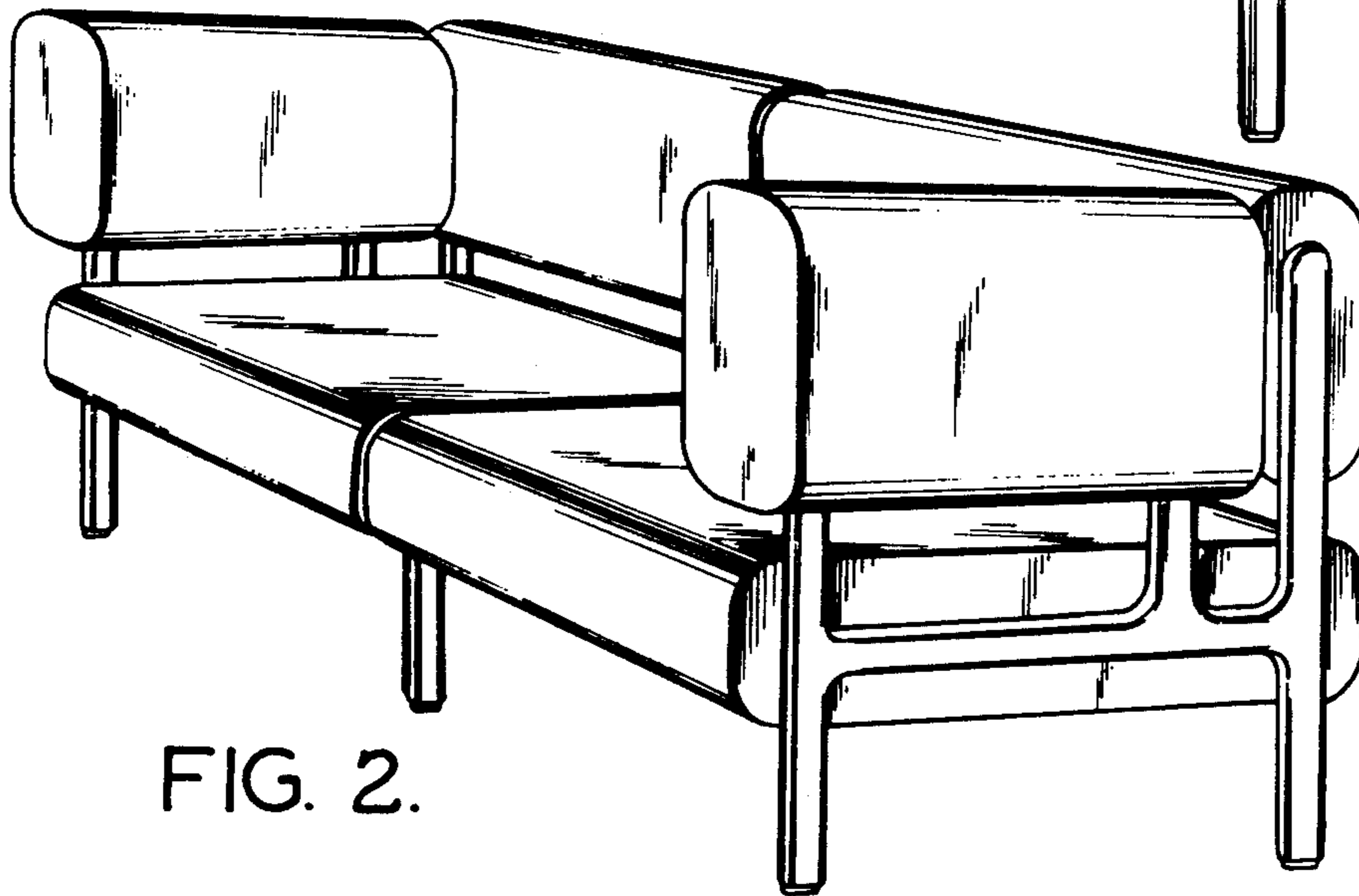


FIG. 2.