

[54] **STYLIZED BOXING GAME APPARATUS,
OR SIMILAR ARTICLE**

[75] Inventor: Tetsuo Iwanami, Matsudo, Japan
[73] Assignee: Sanyei Corporation, Nagoya, Japan
[**] Term: 14 Years
[21] Appl. No.: 598,776
[22] Filed: July 24, 1975

[51] Int. Cl. D21-01
[52] U.S. Cl. D34/15 AD
[58] Field of Search D34/15 AD, 5 J, 15 BB;
46/142, 64, 65, 67; 273/108

[56] **References Cited**
U.S. PATENT DOCUMENTS

1,552,530	9/1925	Woods	273/108
3,672,095	6/1972	Goldfarb et al.	46/70
3,815,911	6/1974	Cooper	46/67

OTHER PUBLICATIONS

Sears Toys Cat., 1972, p. 110, lower left, Battling Tops.

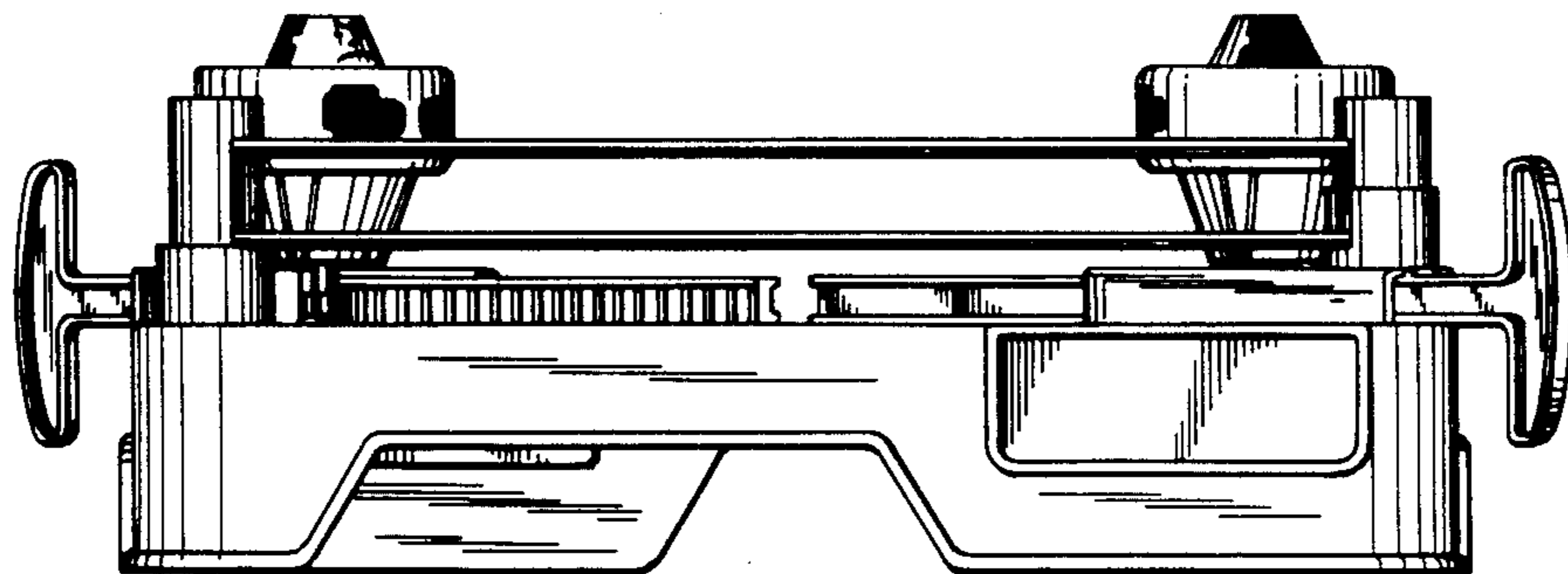
Primary Examiner—Melvin B. Feifer
Attorney, Agent, or Firm—Ernest F. Marmorek

[57] **CLAIM**

The ornamental design for stylized boxing game apparatus, or similar article, substantially as shown and described.

DESCRIPTION

FIG. 1 is a plan view of a stylized boxing game apparatus, or similar article, showing my new design, FIG. 2 is a side elevational view thereof; FIG. 3 is an exploded side elevational view of a corner portion thereof; FIG. 4 is an exploded perspective view of one top and spinner; FIG. 5 is a vertical sectional view of the arena, taken on the line 5-5 of FIG. 1.



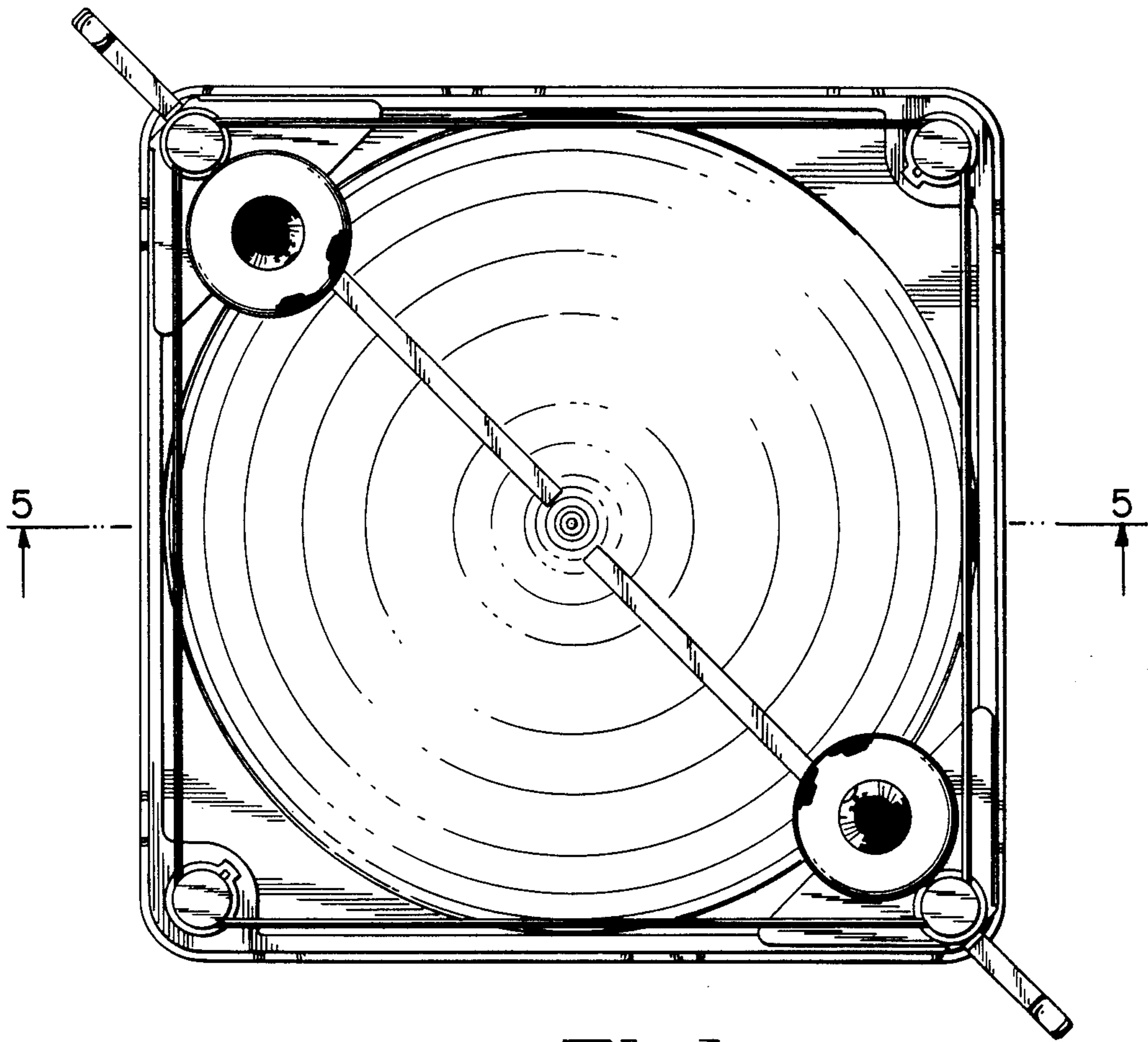


Fig 1

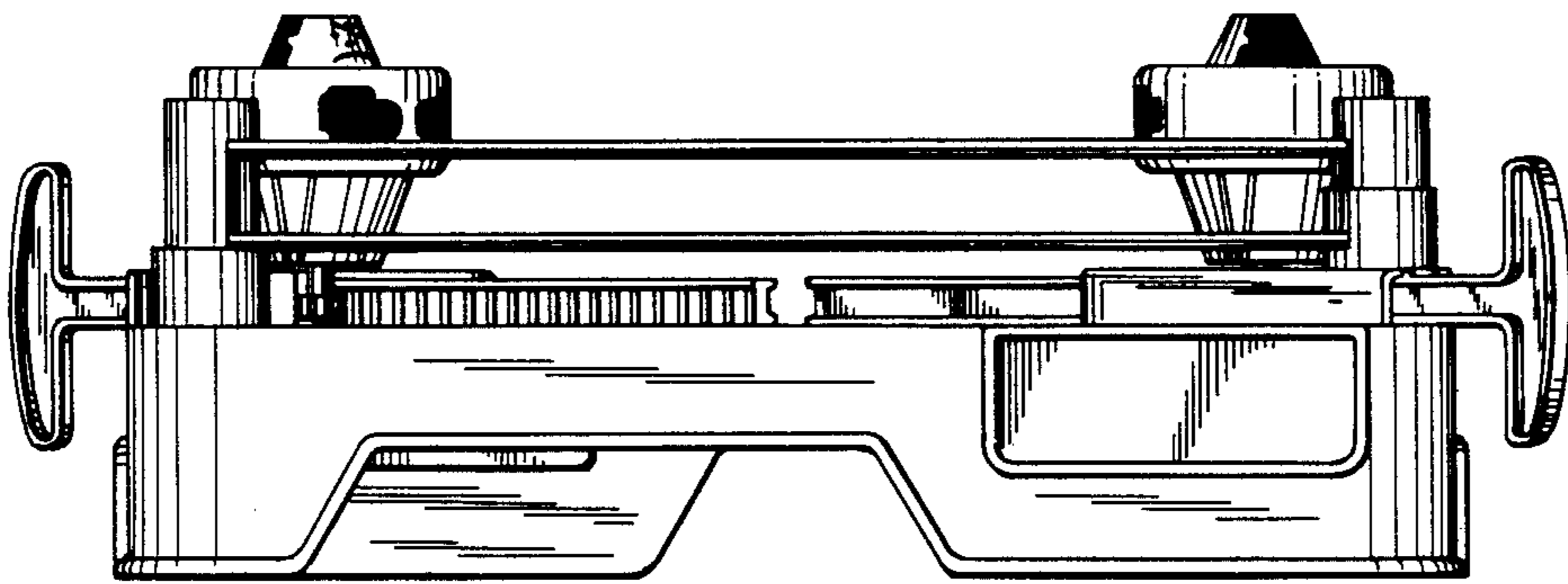
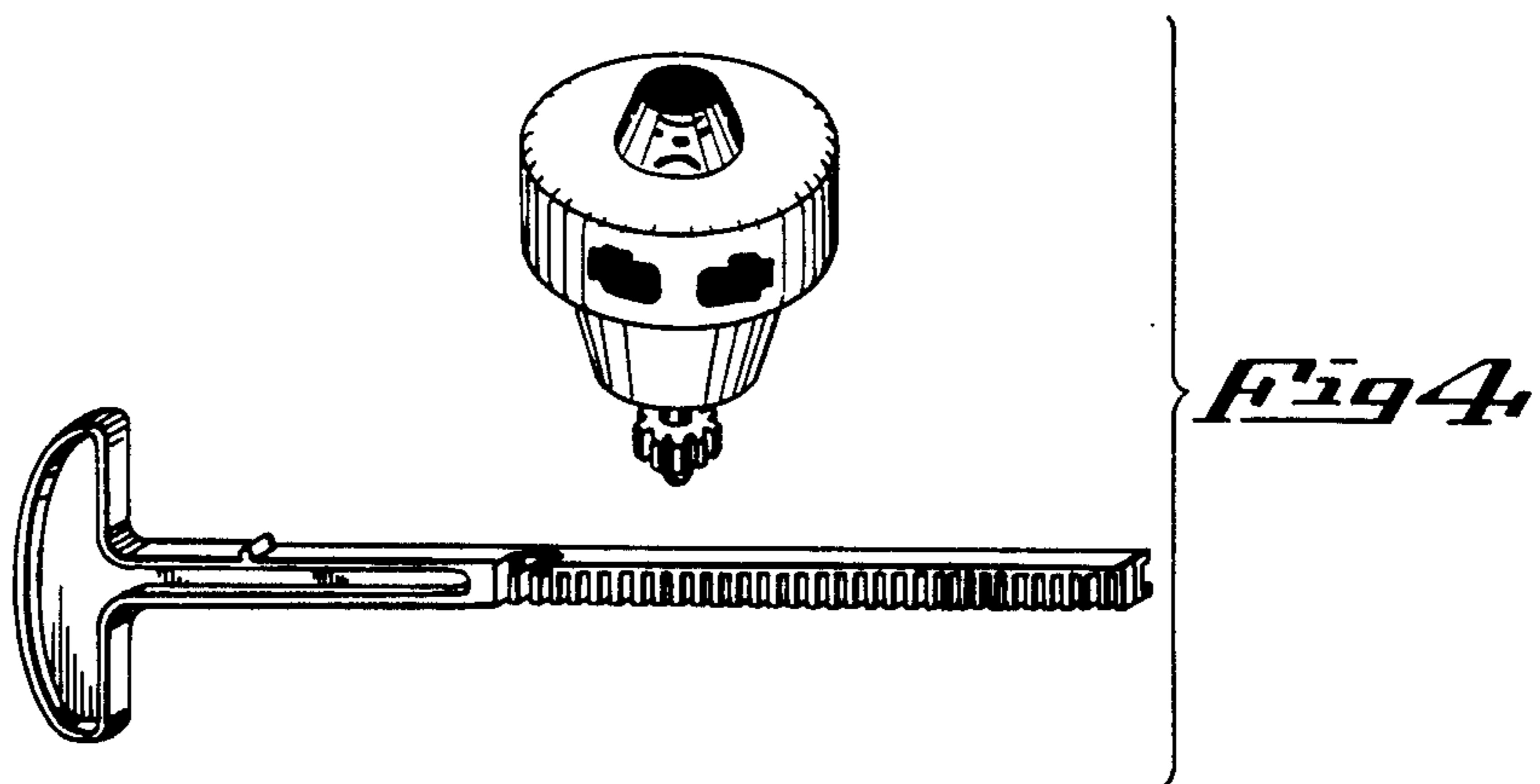
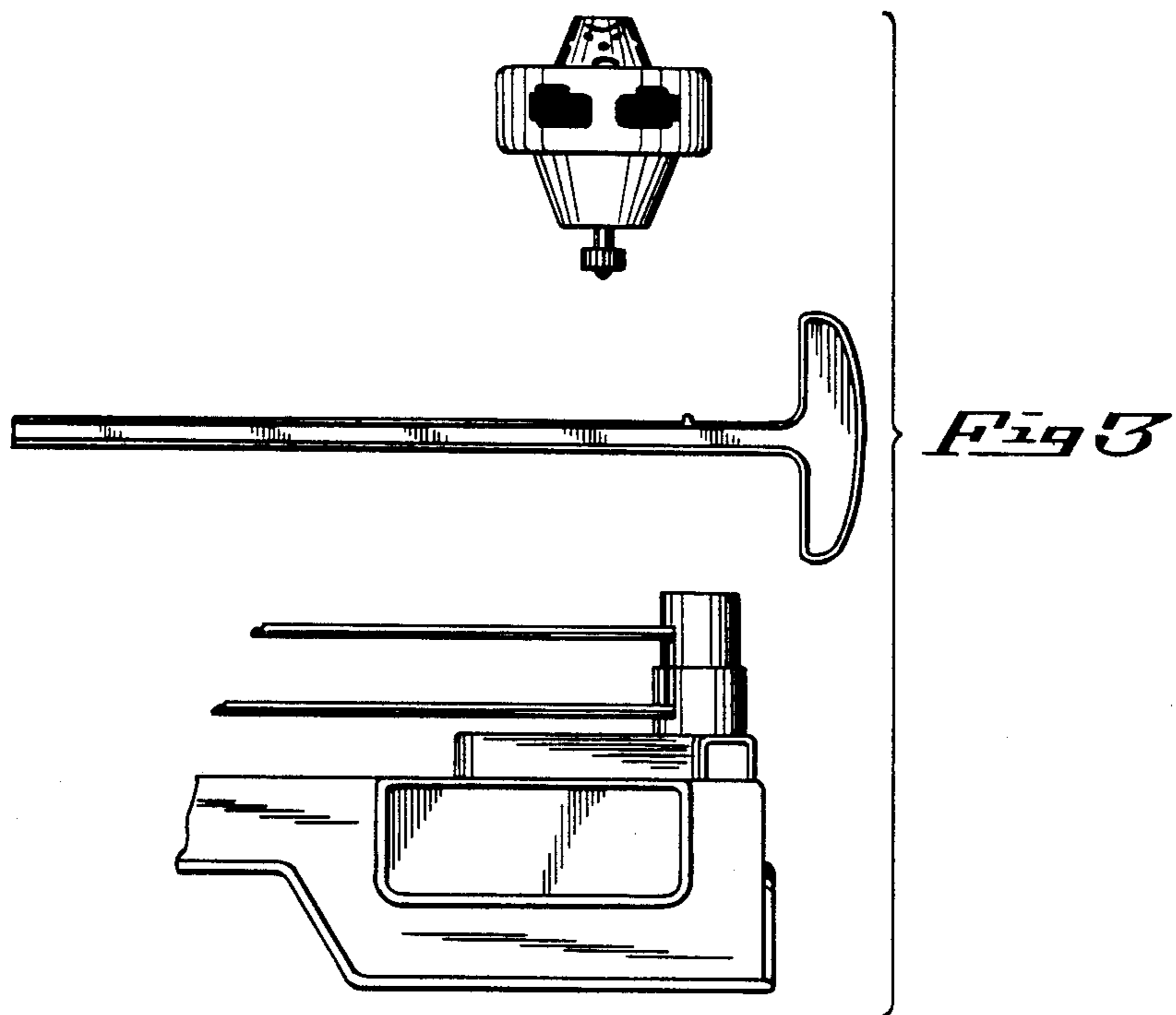


Fig 2



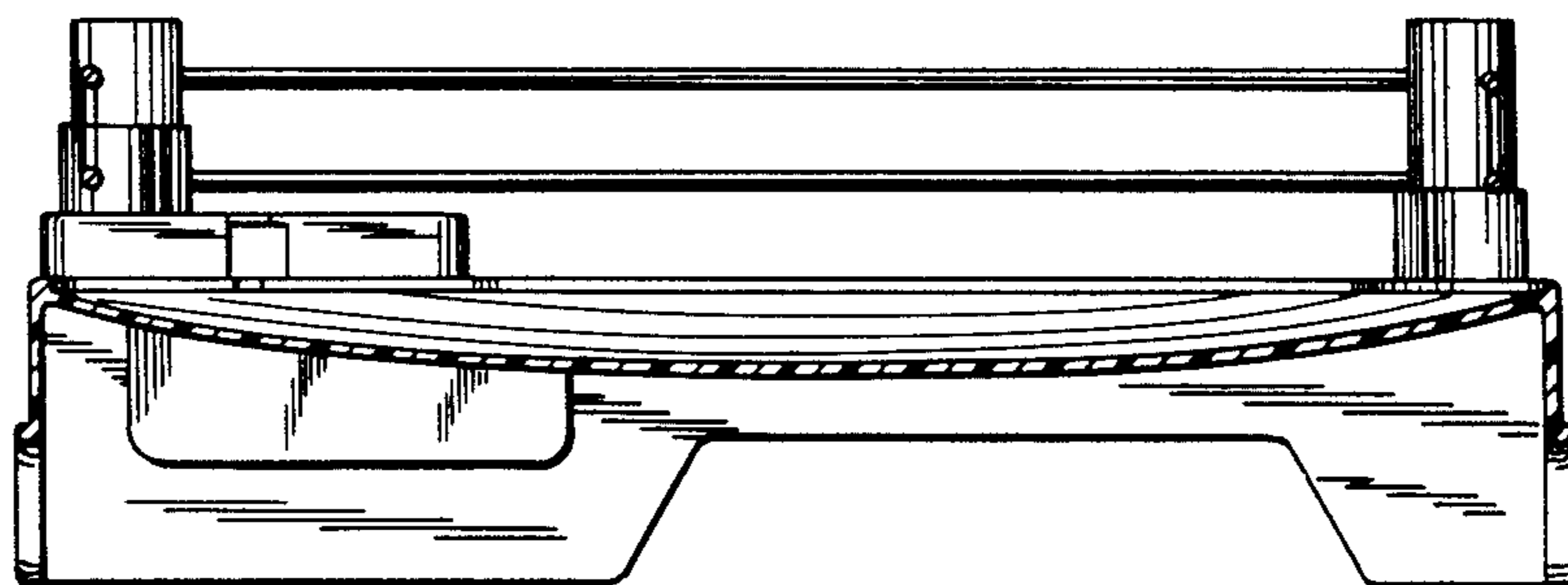


Fig 5