

[54] TOY RACING TRACKWAY

[75] Inventor: Toshio Suzuki, Tokyo, Japan

[73] Assignee: Tomy Kogyo Co., Inc., Tokyo, Japan

[\*\*] Term: 14 Years

[21] Appl. No.: 628,946

[22] Filed: Nov. 5, 1975

[30] Foreign Application Priority Data

June 3, 1975 Japan ..... 50-22156

[51] Int. Cl. .... D21-01

[52] U.S. Cl. .... D34/5 CC

[58] Field of Search ..... D34/15 MM, 15 K, 5 CC;  
273/86 R, 86 B, 86 C; 46/202, 1 K

[56] References Cited

U.S. PATENT DOCUMENTS

1,493,649	5/1924	Schulz .....	D34/5 JJ
2,992,598	7/1961	Einfalt .....	46/202
D. 203,937	3/1966	Dunbar .....	D34/15 K
D. 233,620	11/1974	Seki .....	D34/15 MM

Primary Examiner—Melvin B. Feifer

Attorney, Agent, or Firm—James D. Halsey, Jr.

[57] CLAIM

The ornamental design for a toy racing trackway, as shown.

DESCRIPTION

FIG. 1 is a top plan view of my new toy racing trackway;

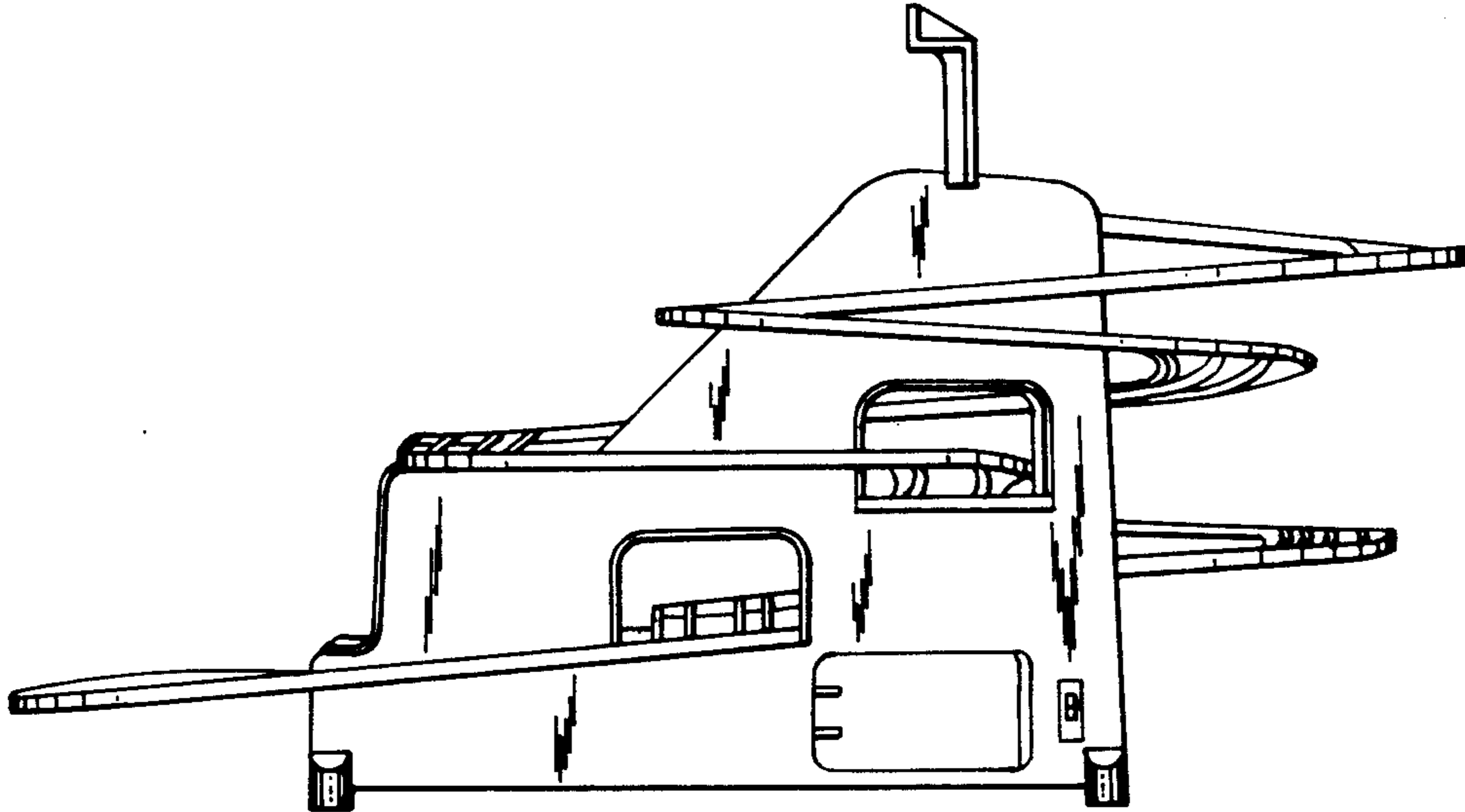
FIG. 2 is a bottom plan view thereof;

FIG. 3 is a rear elevational view thereof;

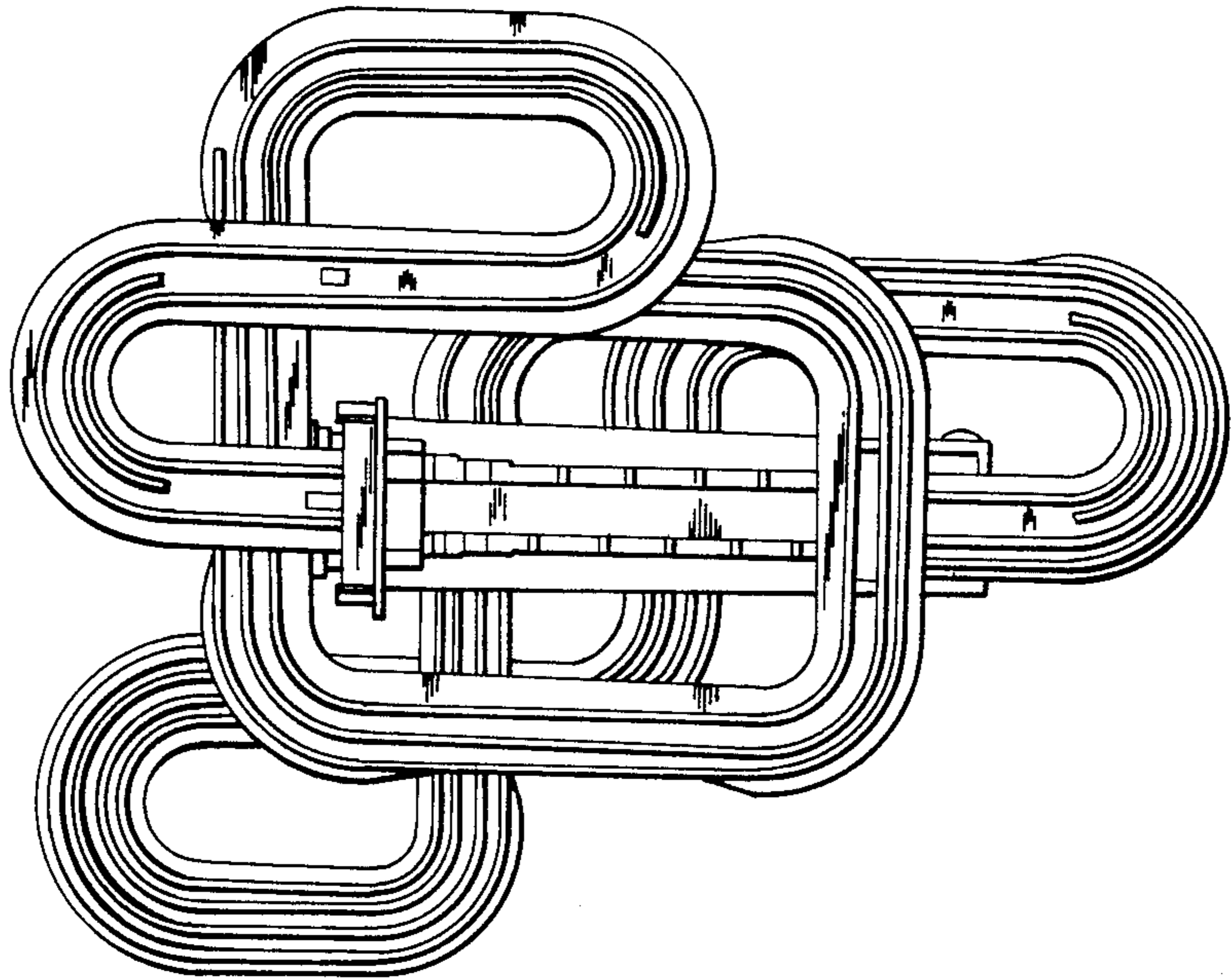
FIG. 4 is a right side elevational view thereof;

FIG. 5 is a front elevational view thereof; and

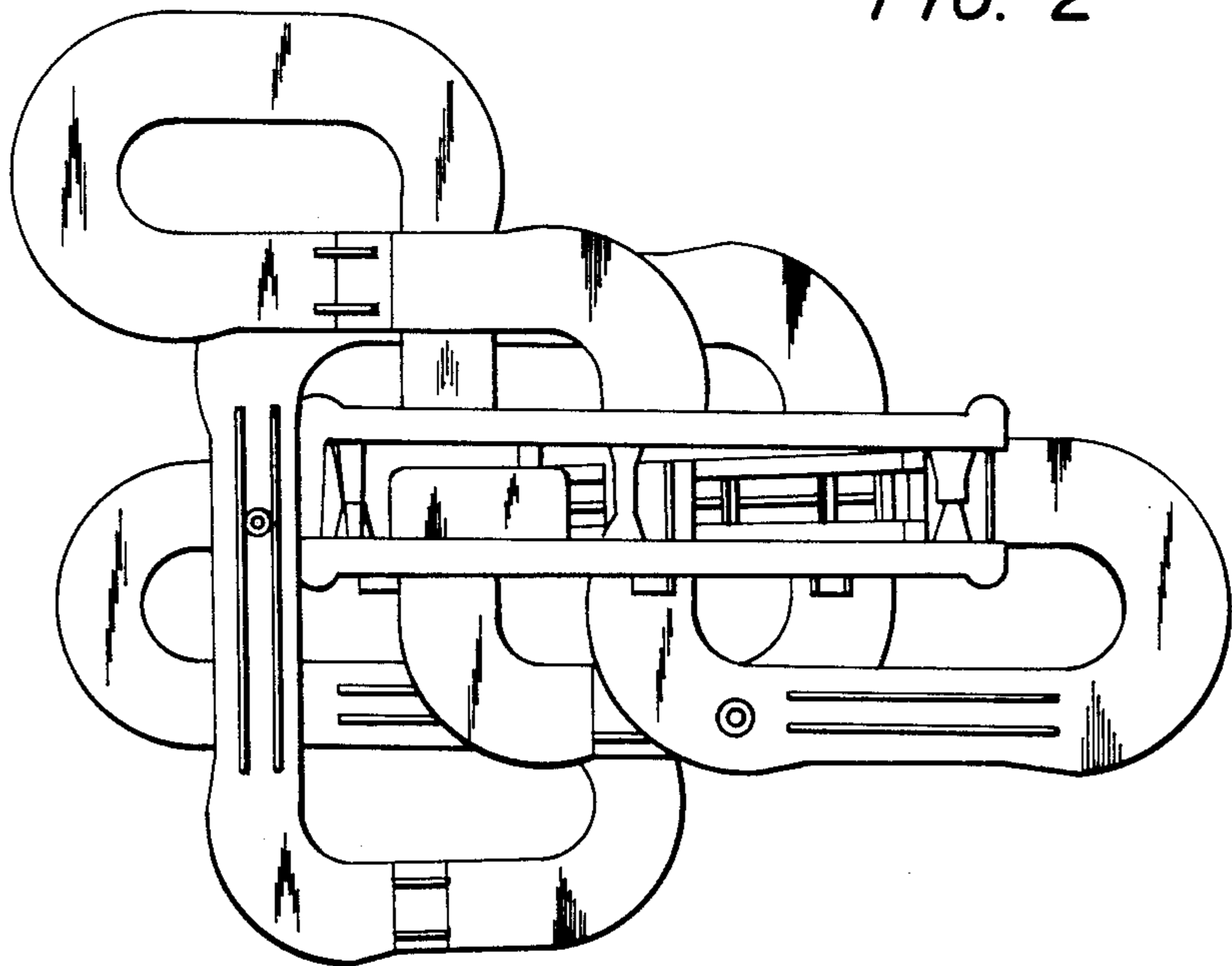
FIG. 6 is a left side elevational view.



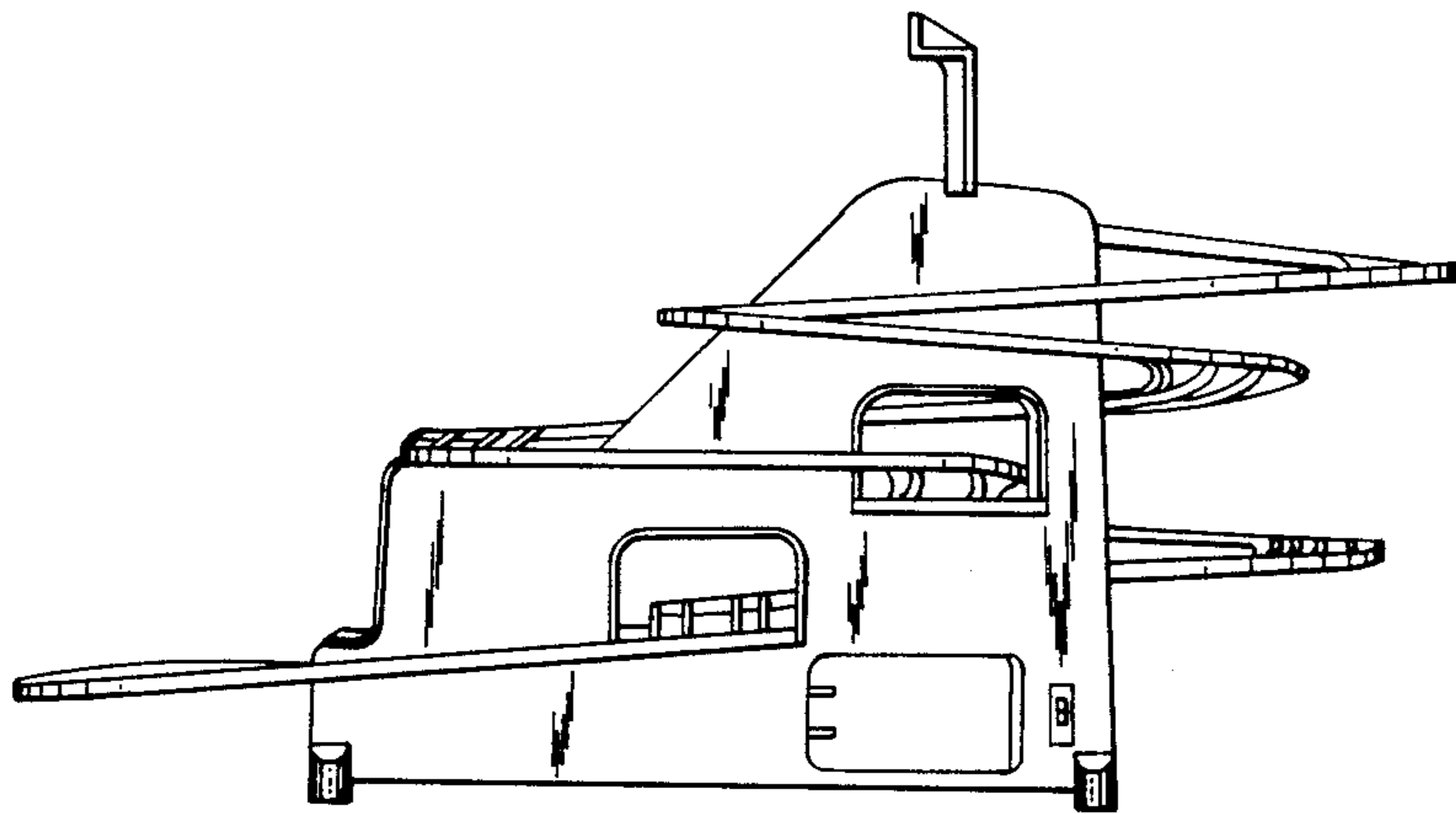
*FIG. 1*



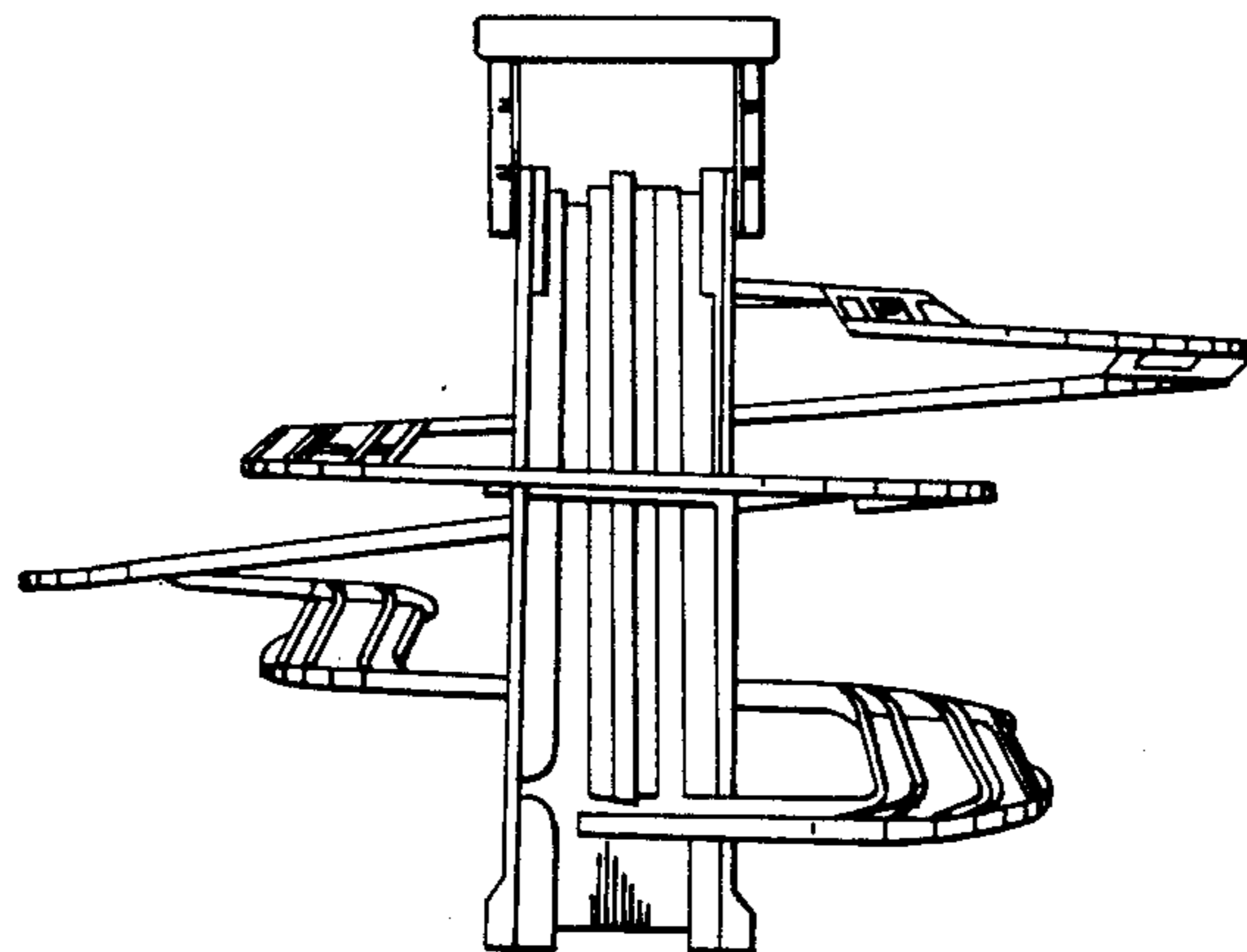
*FIG. 2*



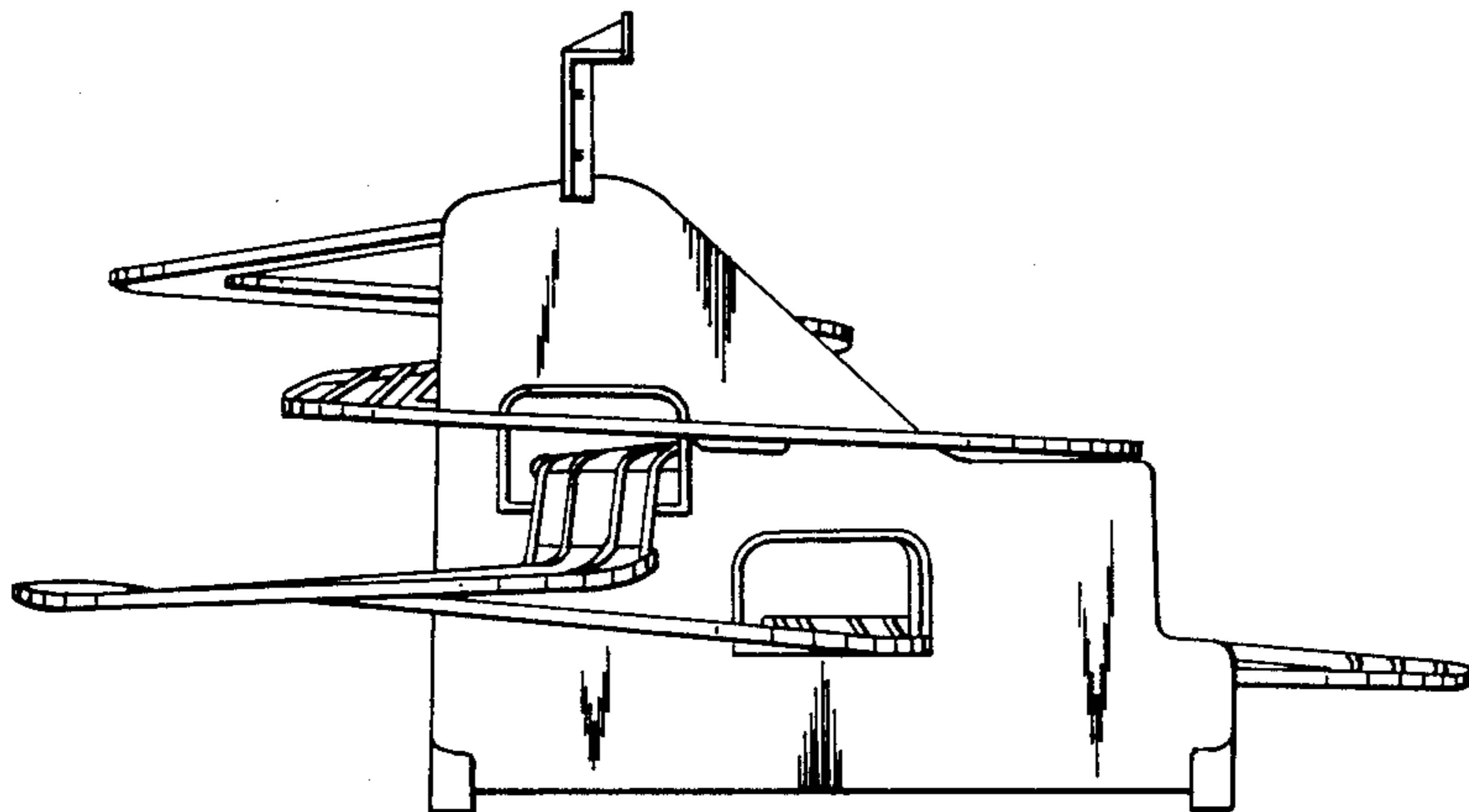
*FIG. 3*



*FIG. 4*



*FIG. 5*



*FIG. 6*

