

[54] OPTHALMOMETER OR SIMILAR ARTICLE

[75] Inventor: Paul A. Jordan, Fairport, N.Y.

[73] Assignee: Bausch & Lomb Incorporated, Rochester, N.Y.

[**] Term: 14 Years

[21] Appl. No.: 722,984

[22] Filed: Sept. 13, 1976

[51] Int. Cl. D24-02

[52] U.S. Cl. D24/17

[58] Field of Search 351/1, 7, 6, 39, 24, 351/23; D14/43, 45; D24/17

[56]

References Cited

U.S. PATENT DOCUMENTS

3,436,146	4/1969	Minas	351/1
3,583,794	6/1971	Newman	351/6
3,776,620	12/1973	Dianetti et al.	351/6
3,791,720	2/1974	Walker et al.	351/6
3,827,789	8/1974	Molner et al.	351/7
3,883,233	5/1975	Guilino	351/6
3,984,156	10/1976	Jernigan	351/6

Primary Examiner—Bernard Ansher
Attorney, Agent, or Firm—Frank C. Parker

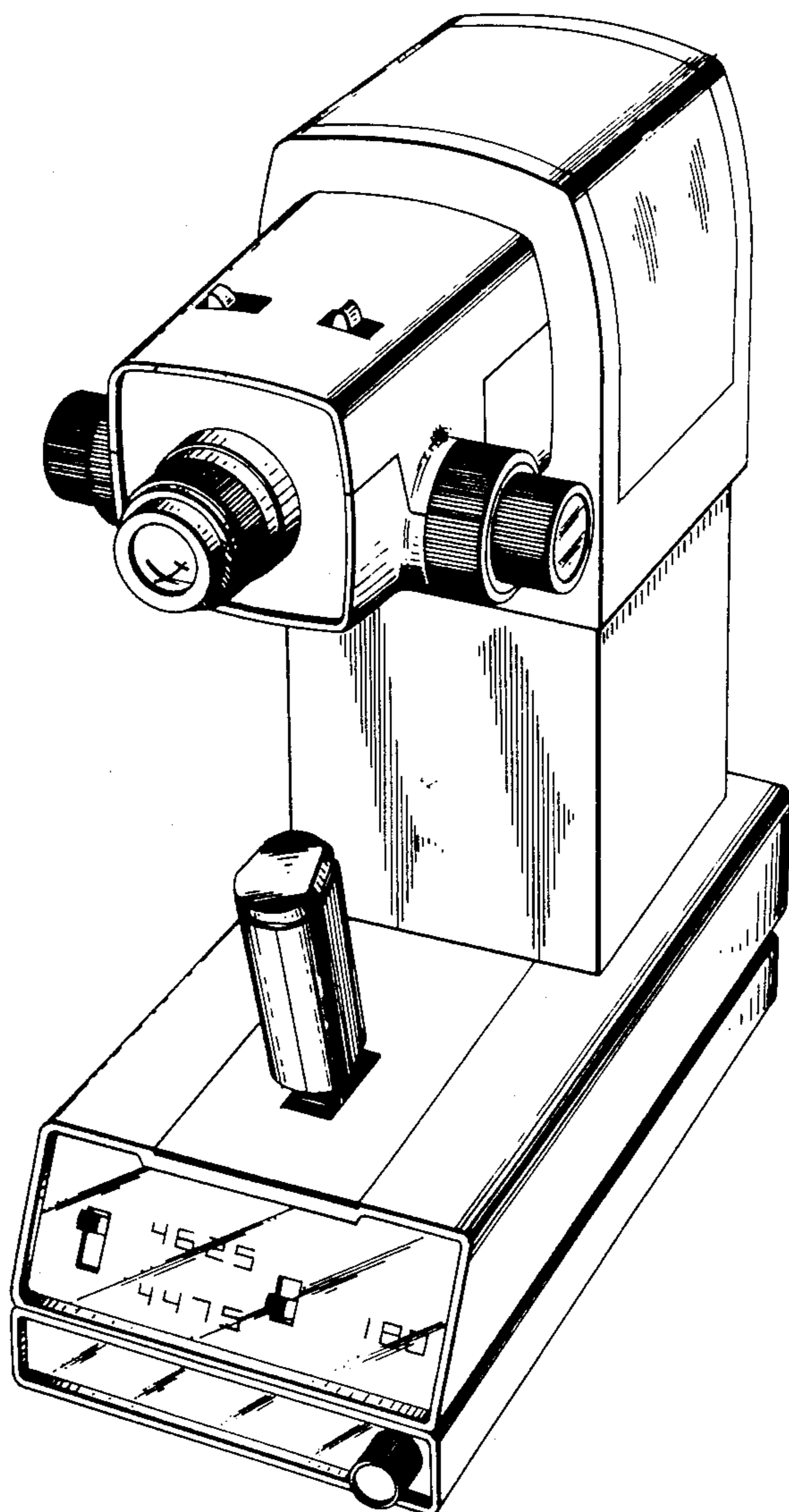
[57]

CLAIM

The ornamental design for an ophthalmometer or similar article, substantially as illustrated and described.

DESCRIPTION

FIG. 1 is a right front perspective view of an ophthalmometer or similar article embodying my new design; FIG. 2 is a left front perspective view thereof; and FIG. 3 is a right rear perspective view thereof.



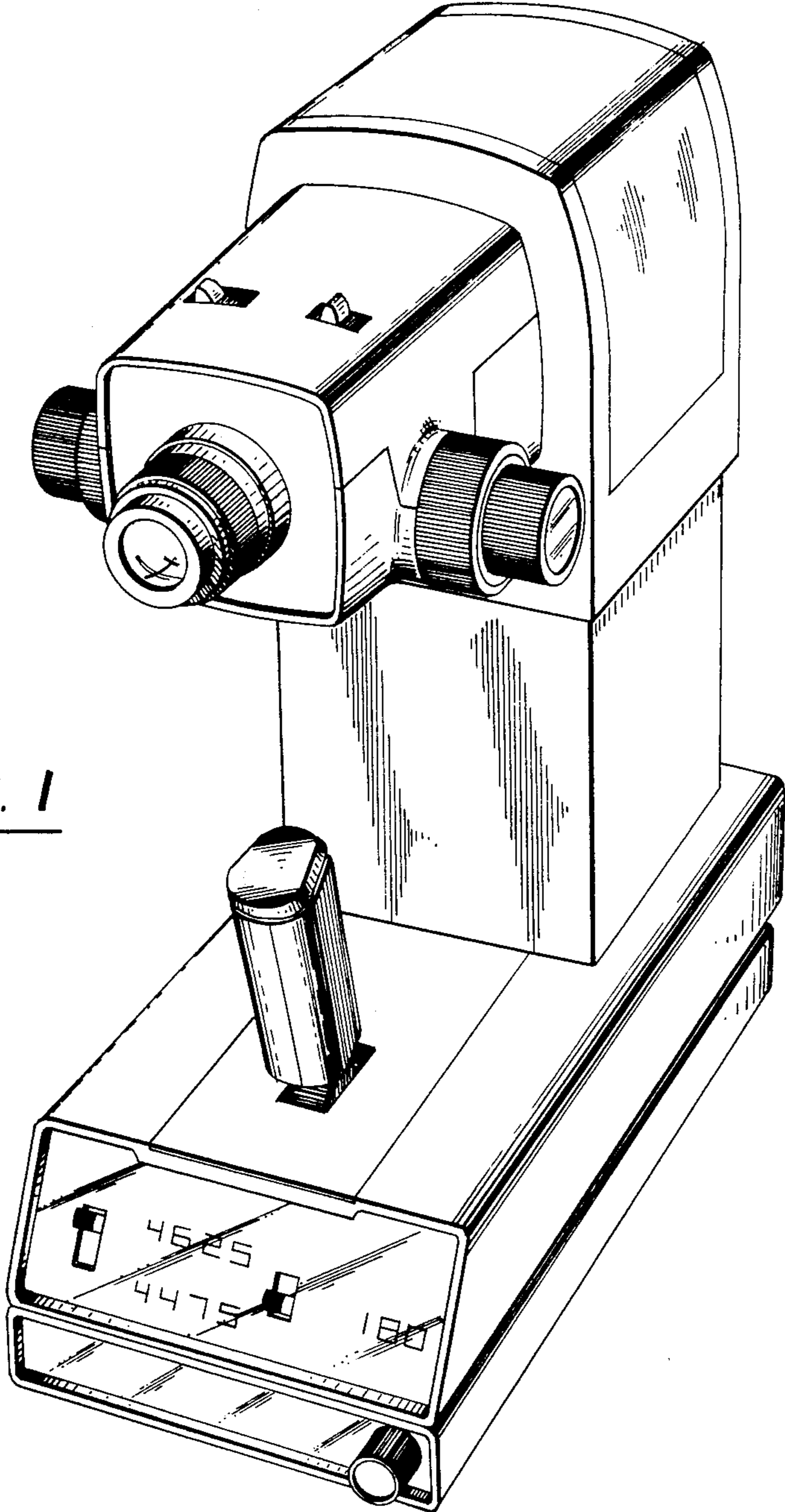


FIG. 1

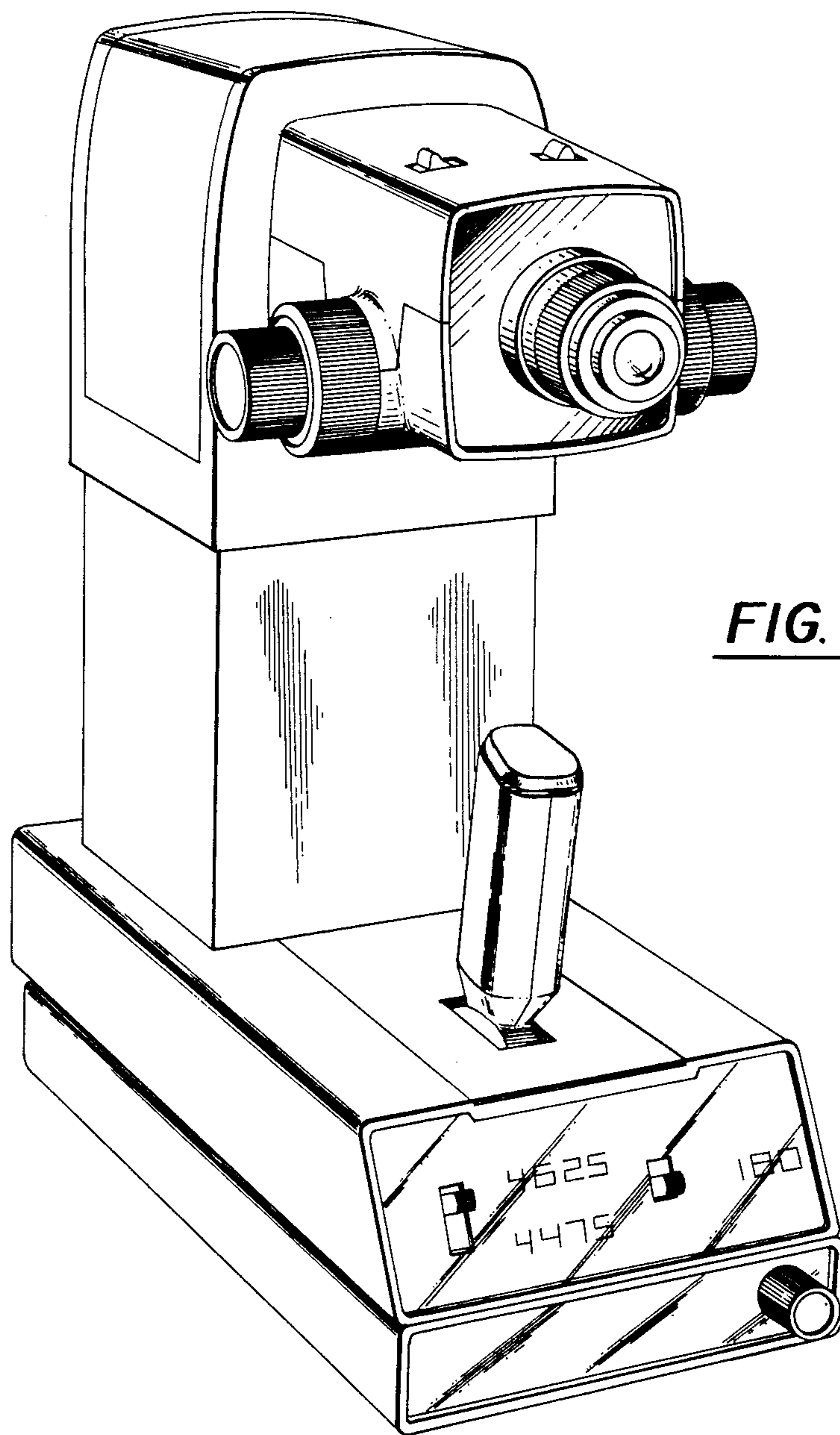


FIG. 2

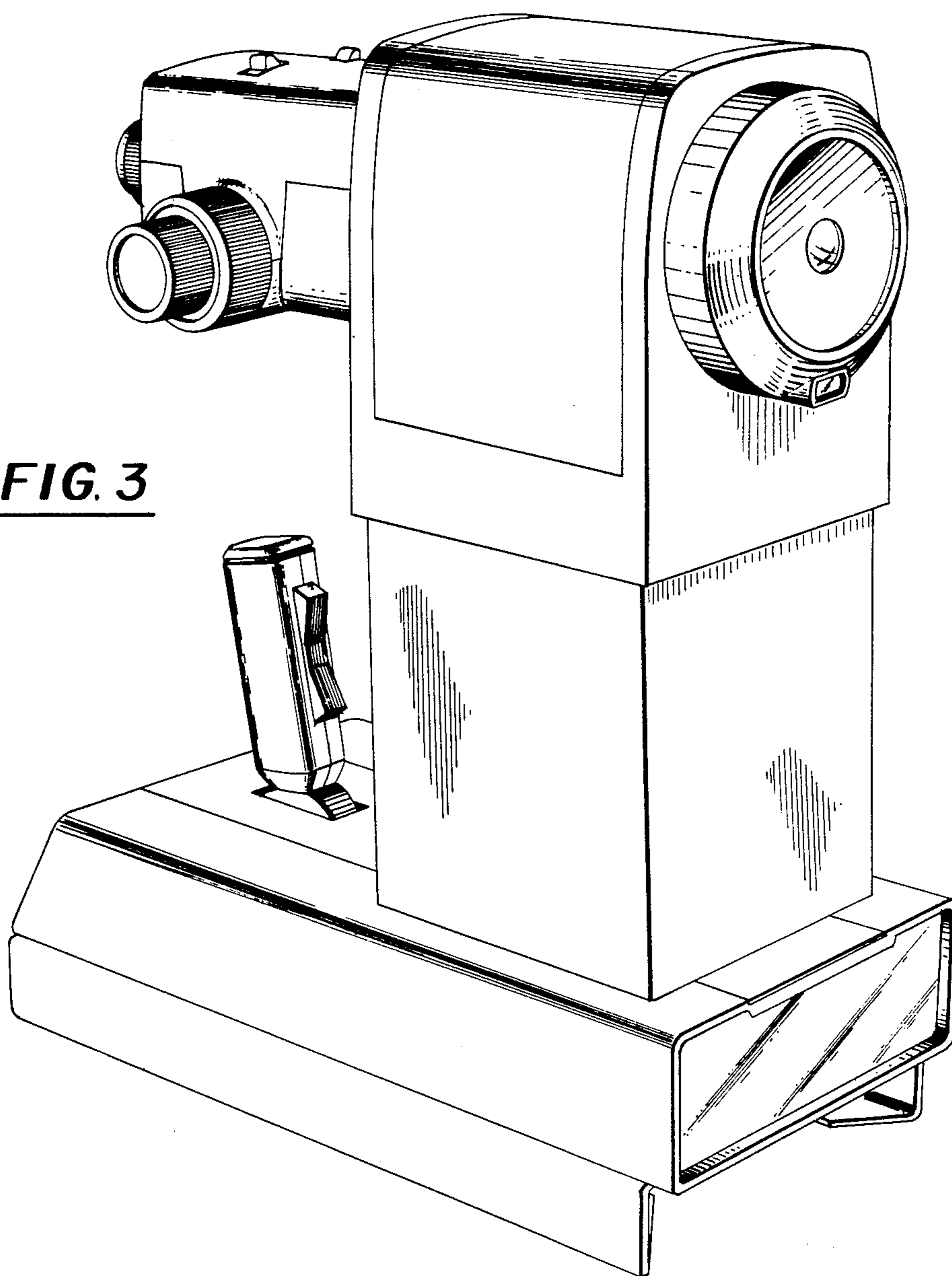


FIG. 3