

[54] OPTHALMIC SUPPORT STAND
[75] Inventor: Dale A. Rorabaugh, San Diego, Calif.
[73] Assignee: Surgical Mechanical Research, Inc.,
Newport Beach, Calif.
[**] Term: 14 Years
[21] Appl. No.: 719,792
[22] Filed: Sept. 2, 1976
[51] Int. Cl. D24—01
[52] U.S. Cl. D24/1.1
[58] Field of Search 351/38; 312/209;
D83/12 R; 128/2 R; D24/1.1, 4; 32/22

[56] References Cited
U.S. PATENT DOCUMENTS
2,510,624 6/1950 Forshey et al. 351/38 X

3,572,913 3/1971 Korb 351/38
3,828,695 8/1974 Skarky 312/209 X
D. 235,580 6/1975 Miller D83/1 F

Primary Examiner—Bernard Ansher
Attorney, Agent, or Firm—Tom Sherrard

[57] CLAIM

The ornamental design for a ophthalmic support stand,
as shown.

DESCRIPTION

FIG. 1 is a perspective view of my new design for a
ophthalmic support stand;
FIG. 2 is a top plan view thereof;
FIG. 3 is a front elevation thereof;
FIG. 4 is a side elevation thereof;
FIG. 5 is a rear elevation thereof; and
FIG. 6 is a side elevation, thereof, opposite that shown
in FIG. 4.

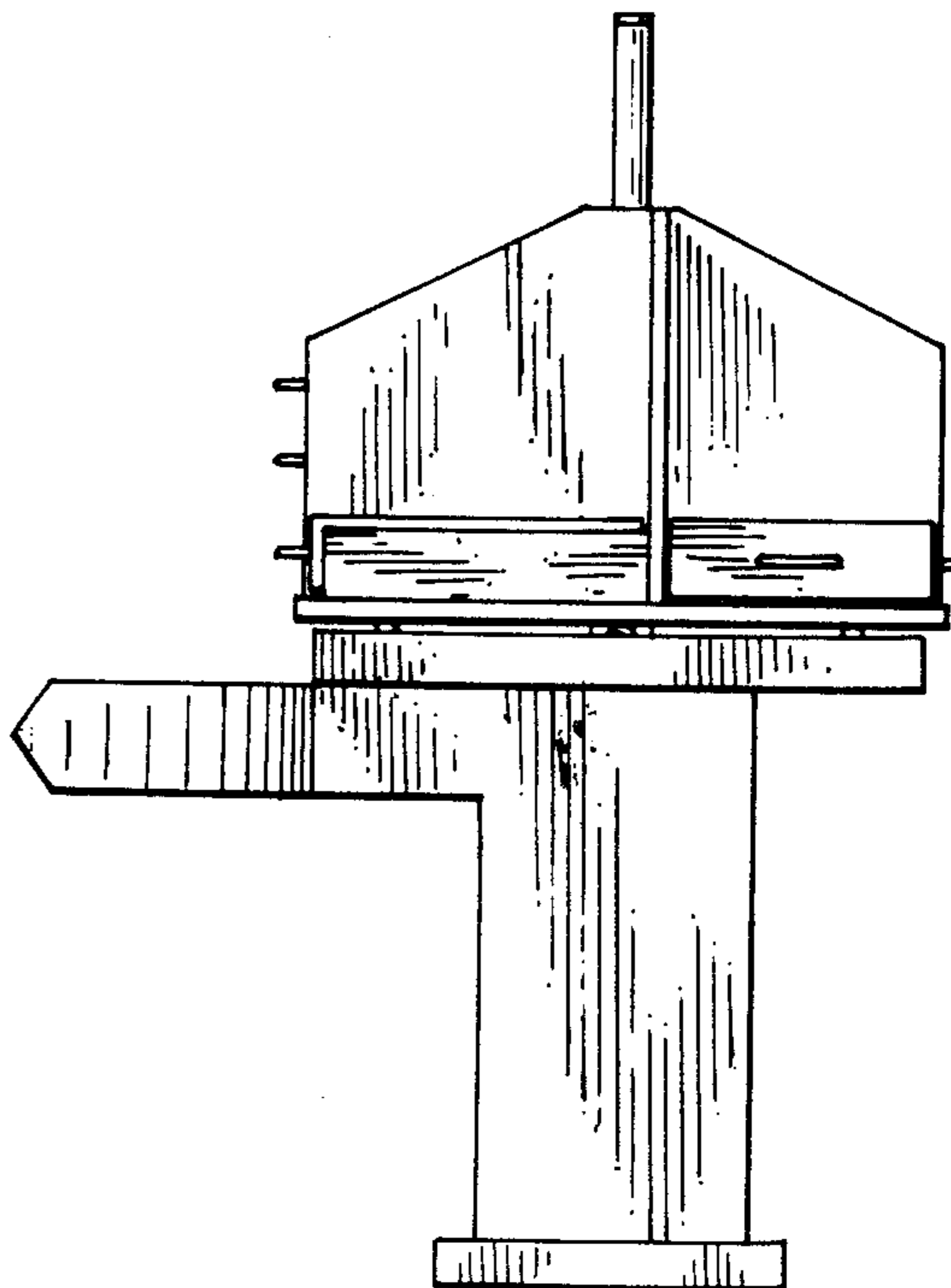
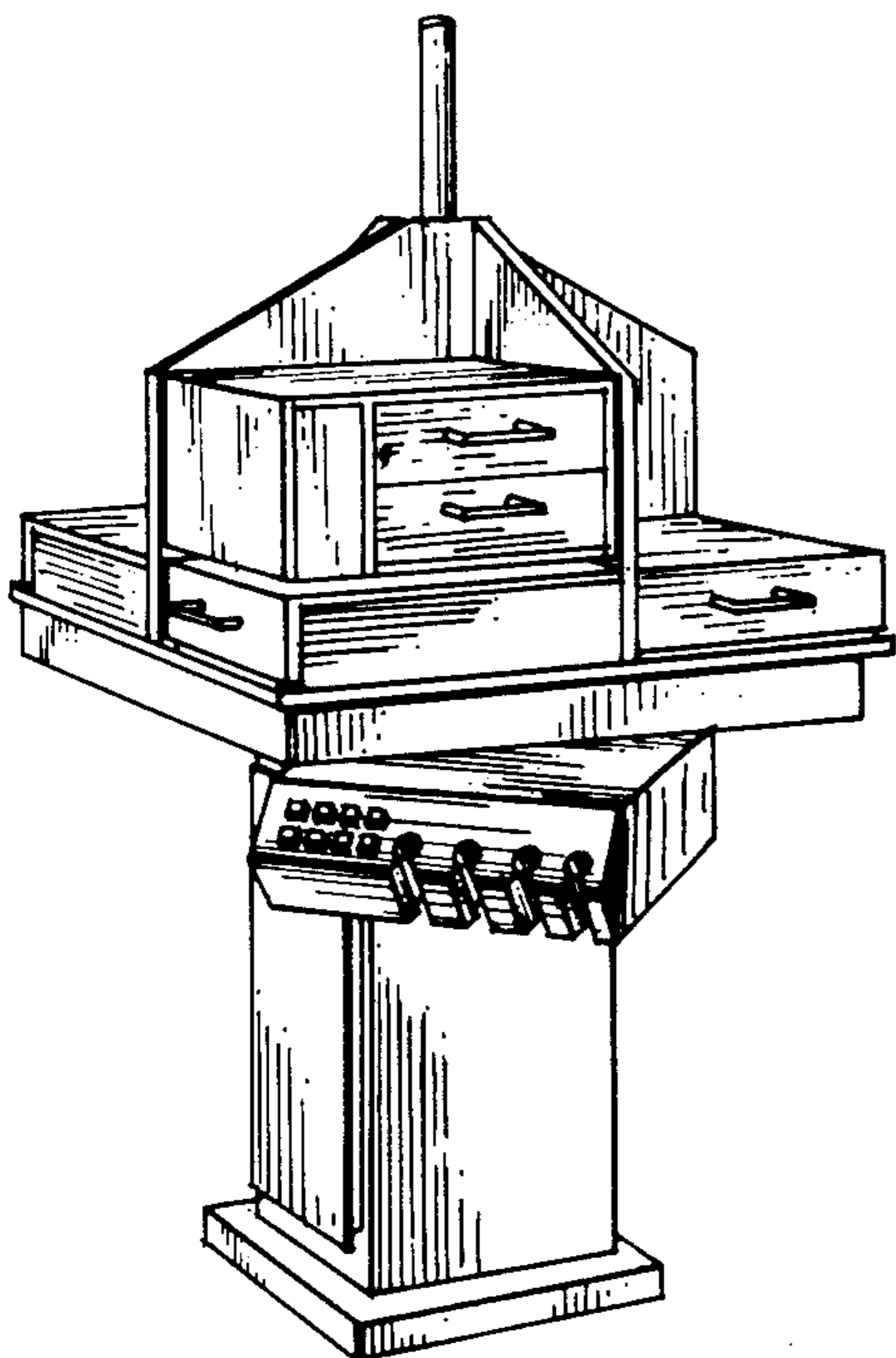


Fig. 1

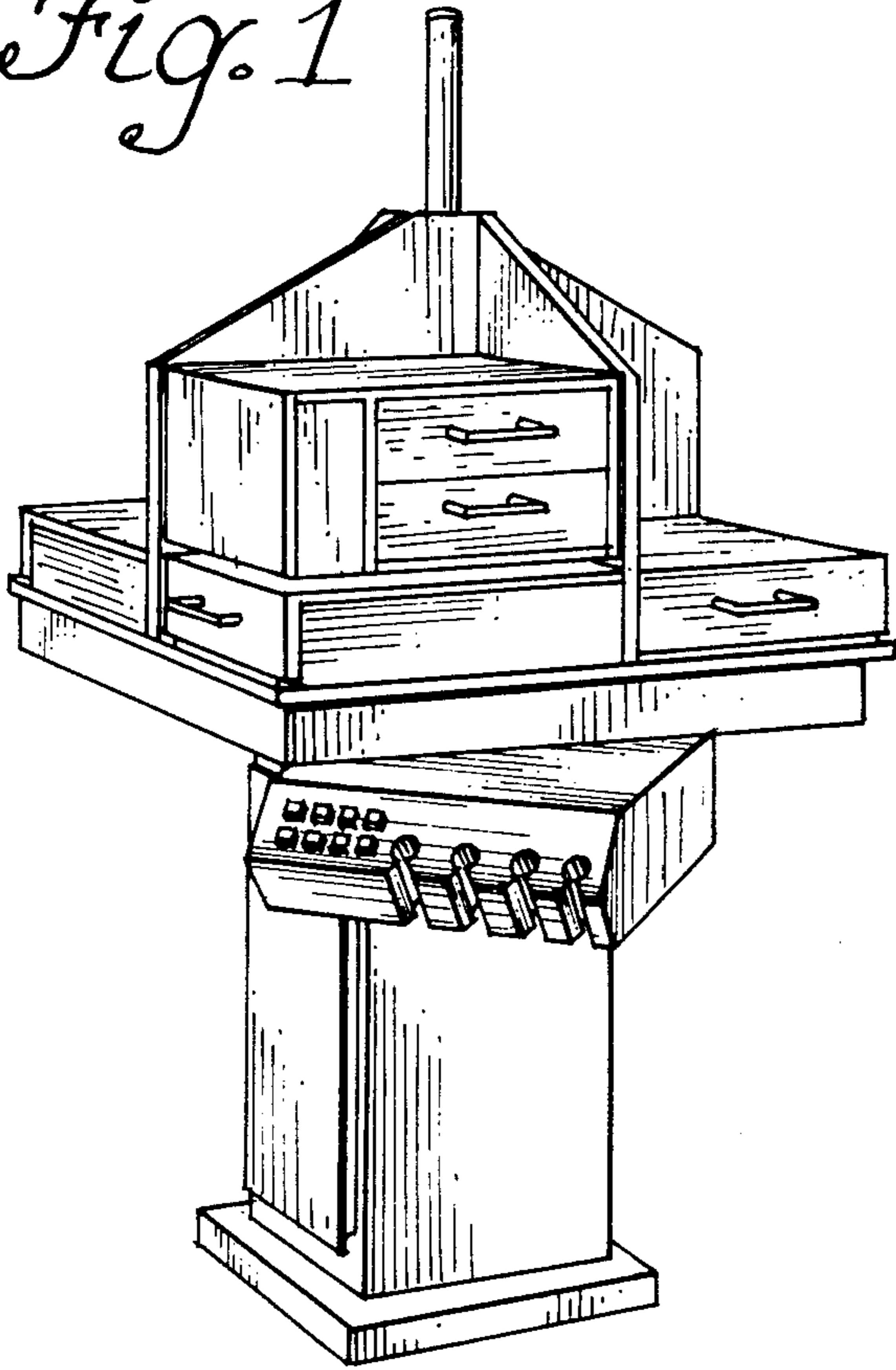


Fig. 2

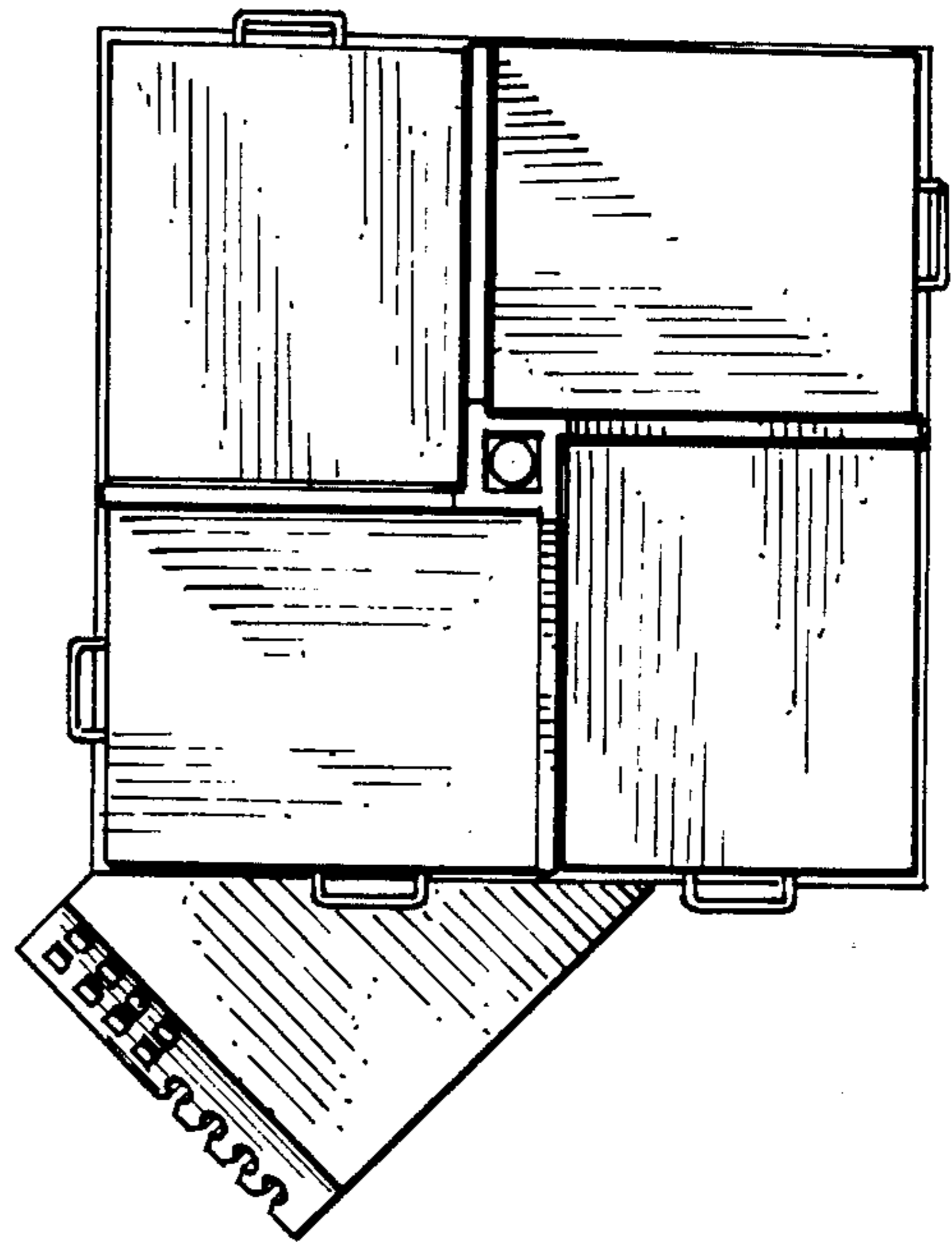


Fig. 3

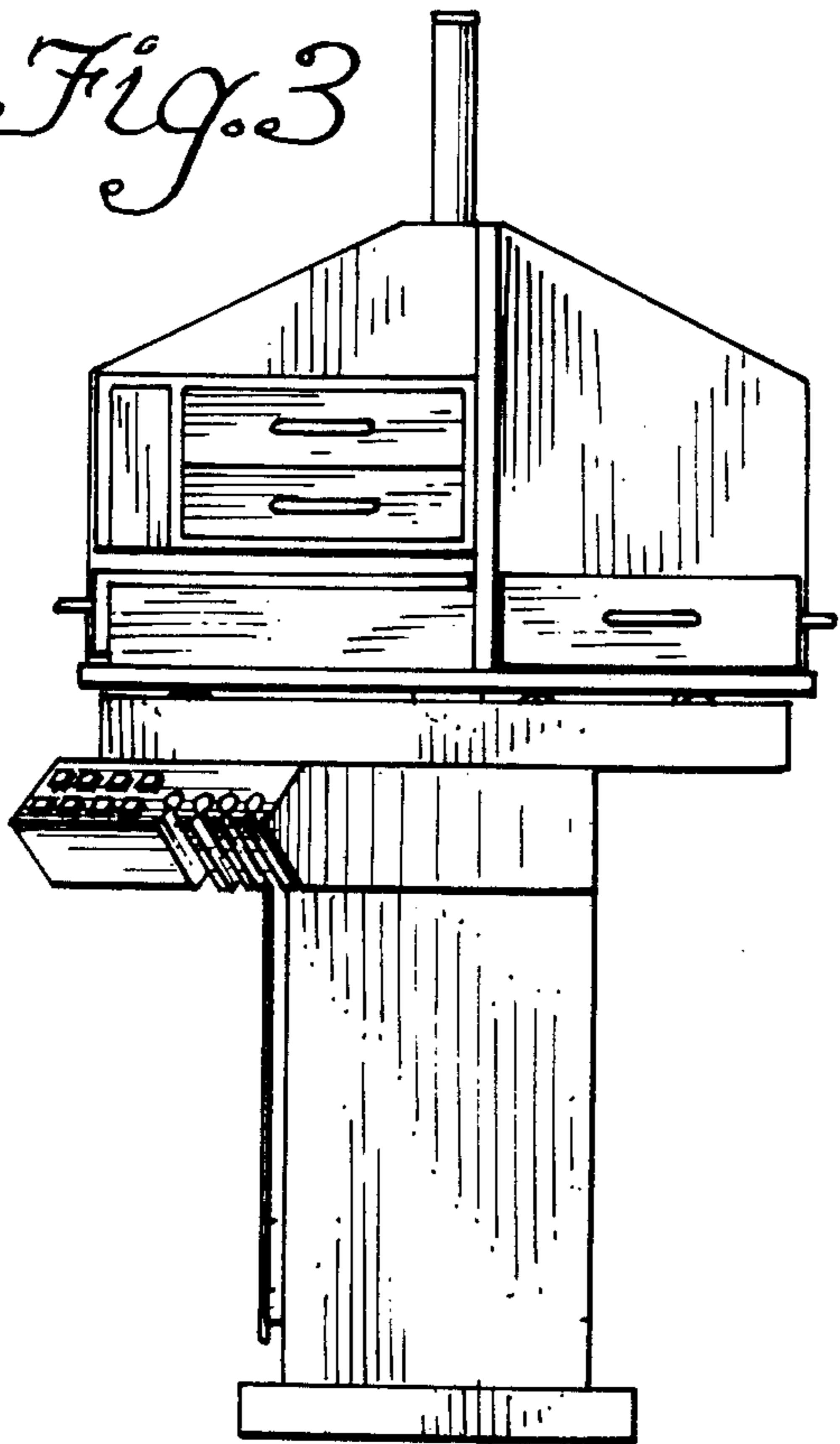


Fig. 4

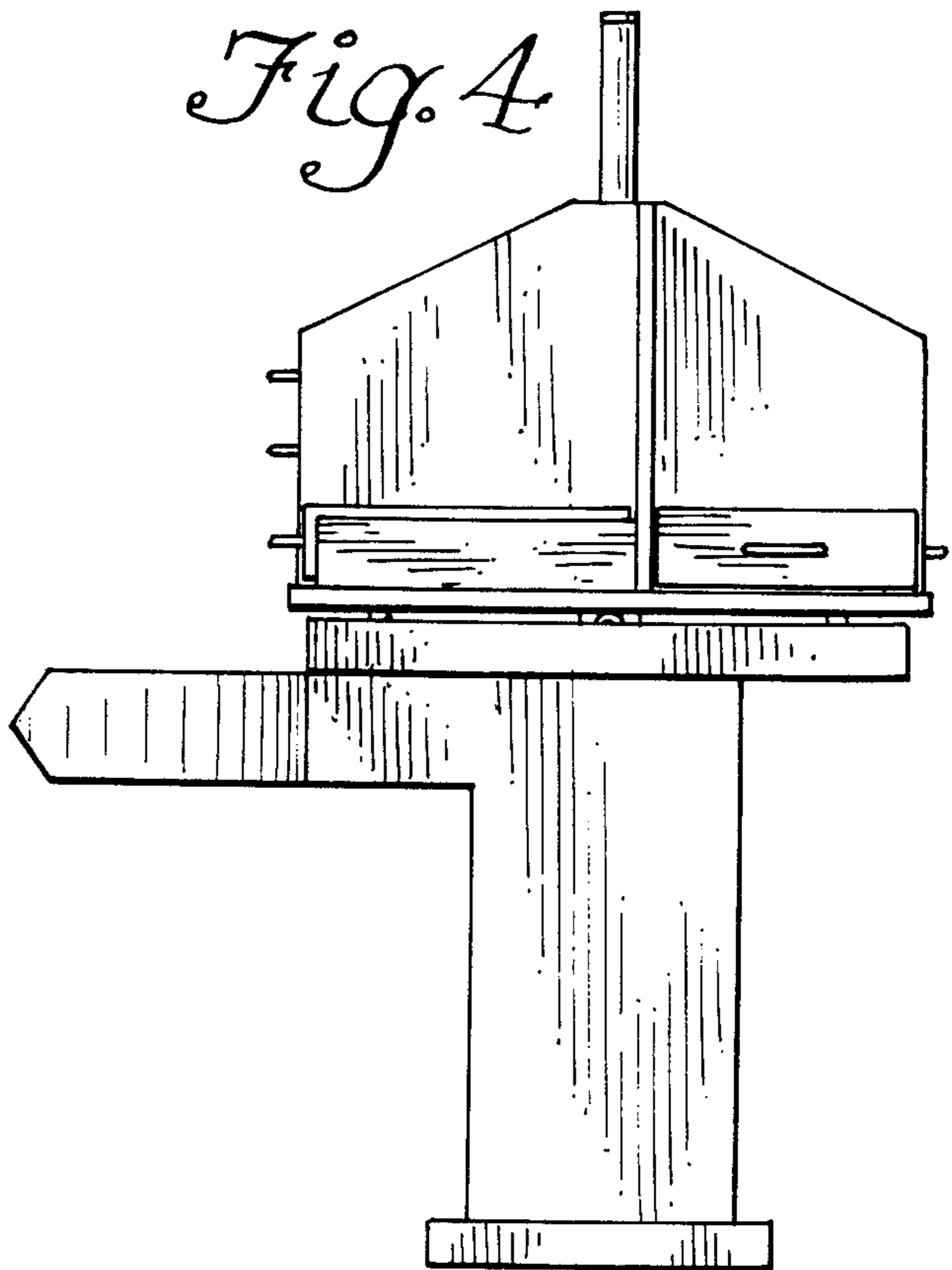


Fig. 5

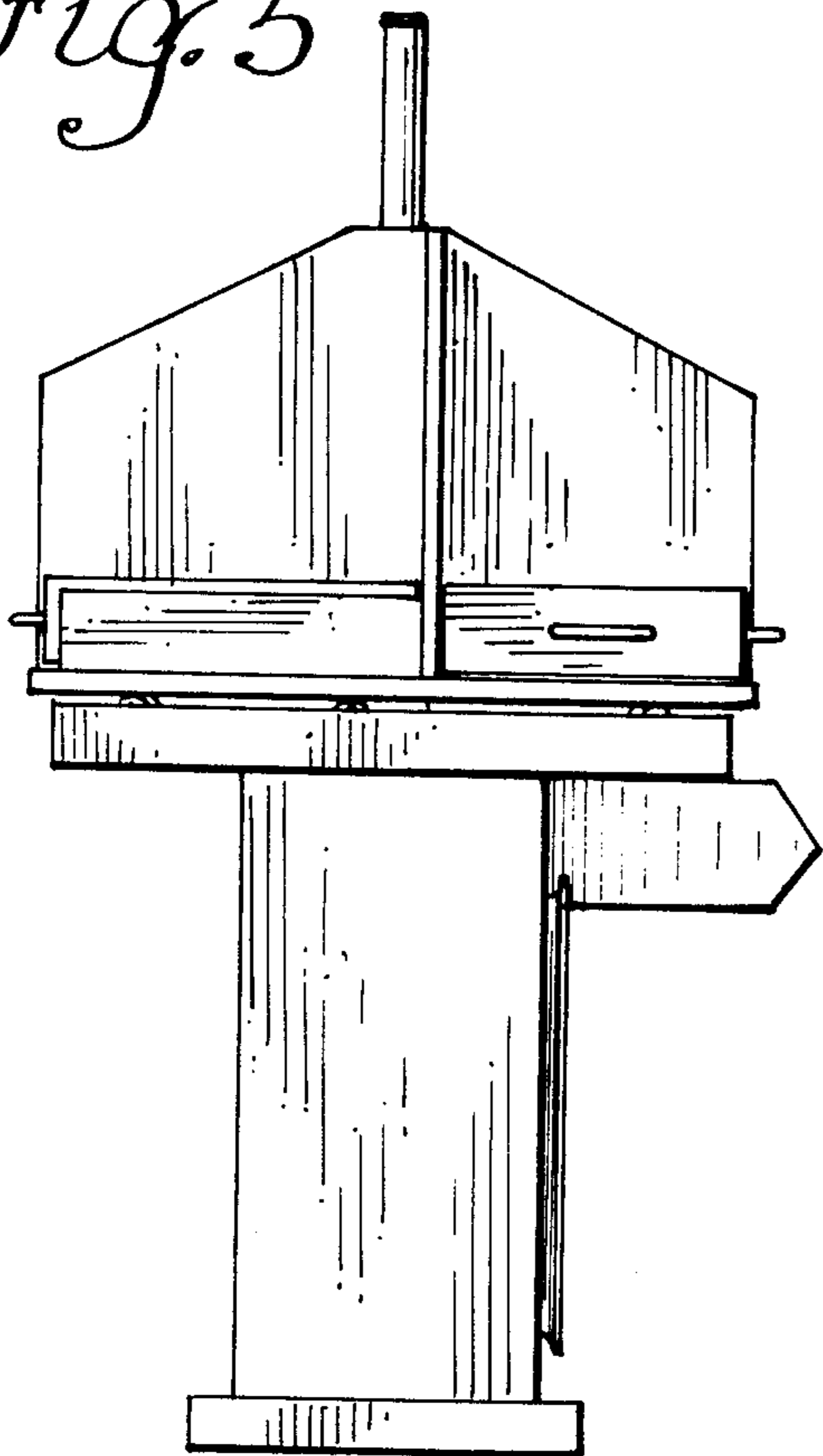


Fig. 6

