

[54] DISK CLAMPING ELEMENT

[75] Inventor: Warren L. Dalziel, Monte Sereno, Calif.

[73] Assignee: Shugart Associates, Sunnyvale, Calif.

[**] Term: 14 Years

[21] Appl. No.: 665,710

[22] Filed: Mar. 10, 1976

[51] Int. Cl. D14-02

[52] U.S. Cl. D14/40

[58] Field of Search D26/1 R, 14 B; D14/11, D14/40; 360/97, 98, 99, 106, 133; 206/303, 444; 220/306; 64/22; 74/206

[56]

References Cited

U.S. PATENT DOCUMENTS

2,636,690	4/1953	Bedford, Jr.	220/306 X
3,609,722	9/1971	Zenzefilis	206/303 X
3,678,481	7/1972	Dalziel et al.	360/97
3,898,814	8/1975	Chou et al.	64/22

Primary Examiner—Wallace R. Burke
Assistant Examiner—Catherine Kemper
Attorney, Agent, or Firm—Thomas E. Schatzel

[57]

CLAIM

The ornamental design for a disk clamping element, substantially as shown and described.

DESCRIPTION

FIG. 1 is a perspective view of a disk clamping element showing my new design;
FIG. 2 is a top plan view thereof;
FIG. 3 is a bottom plan view thereof; and
FIG. 4 is a side elevational view thereof.

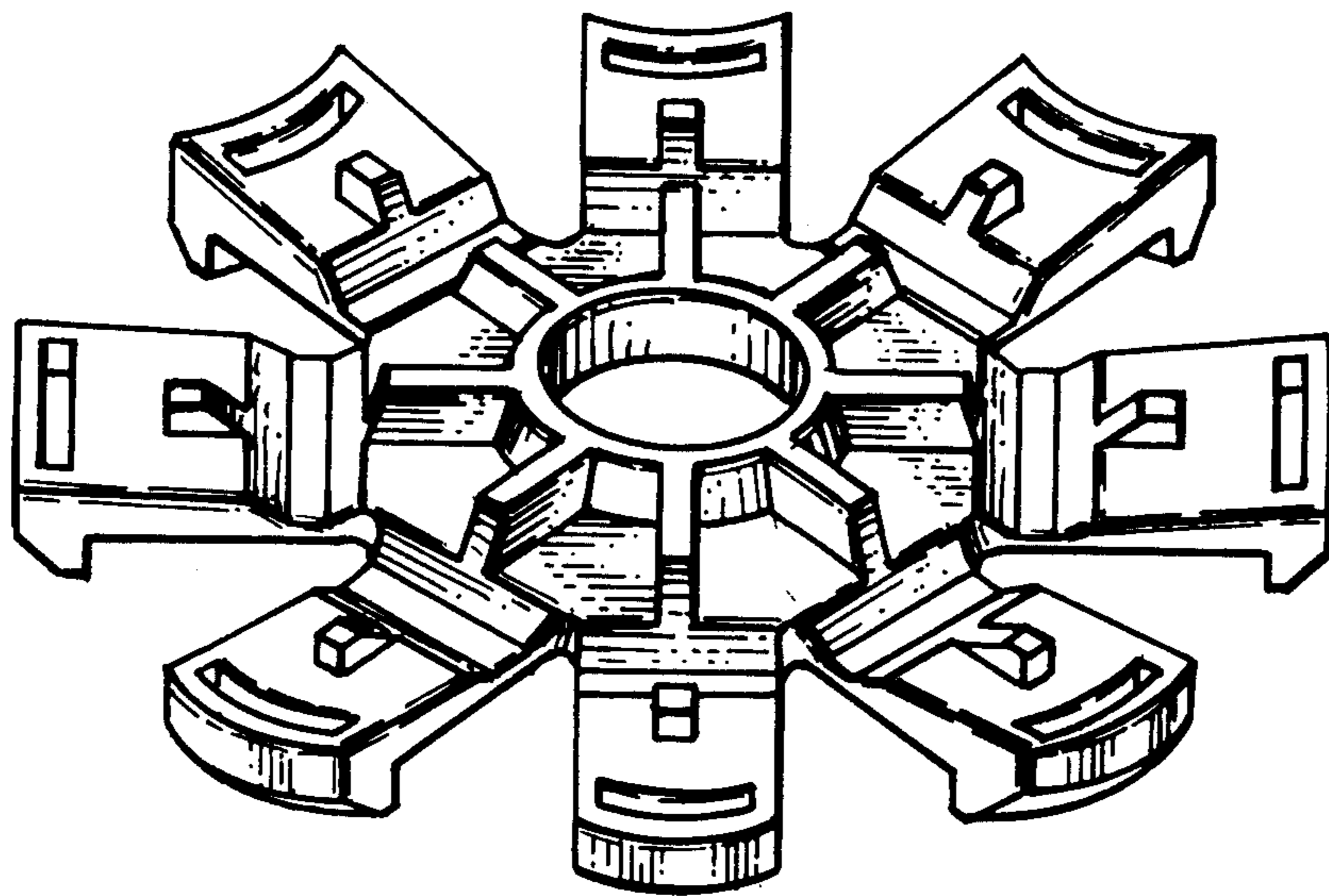


Fig.1

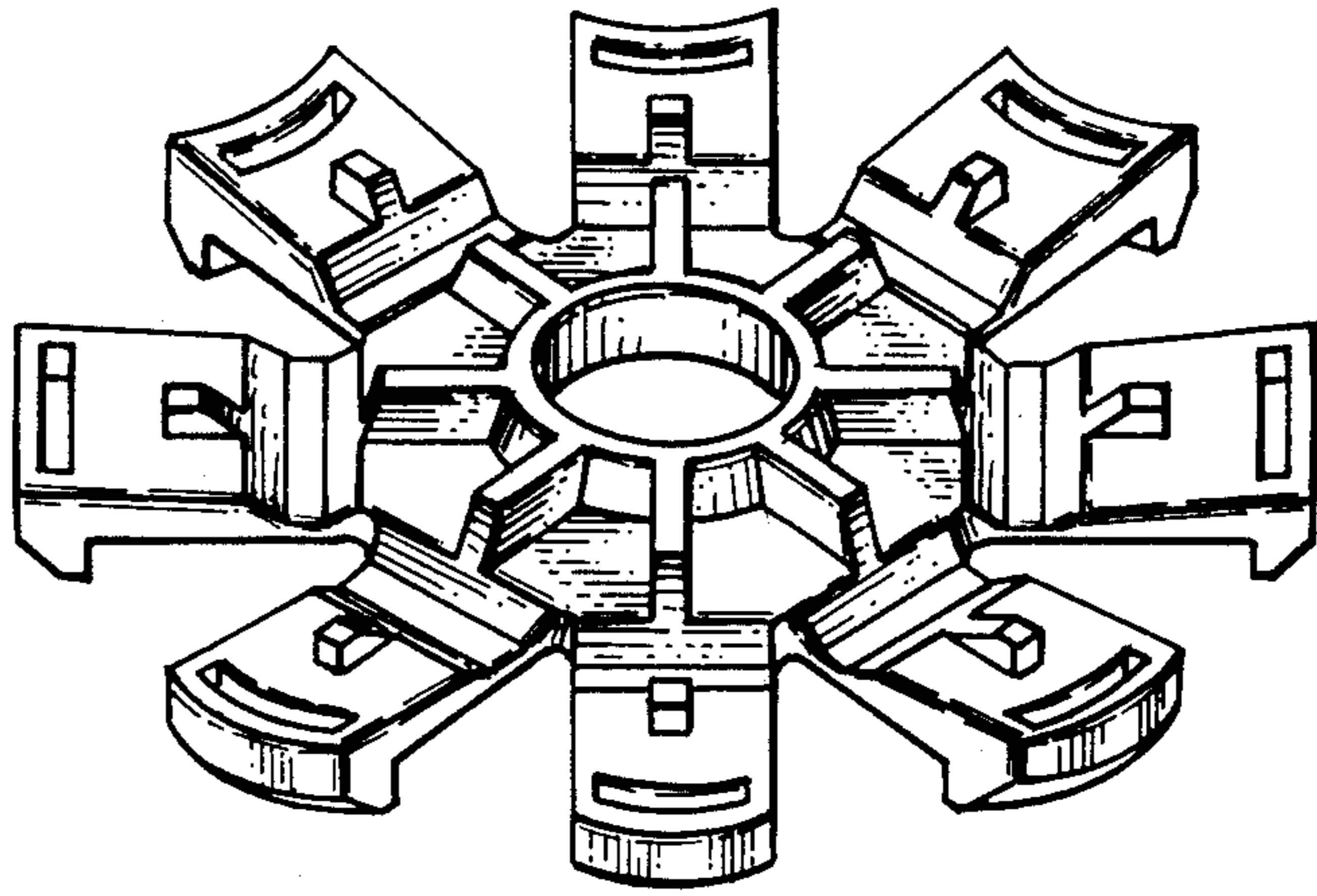


Fig.2

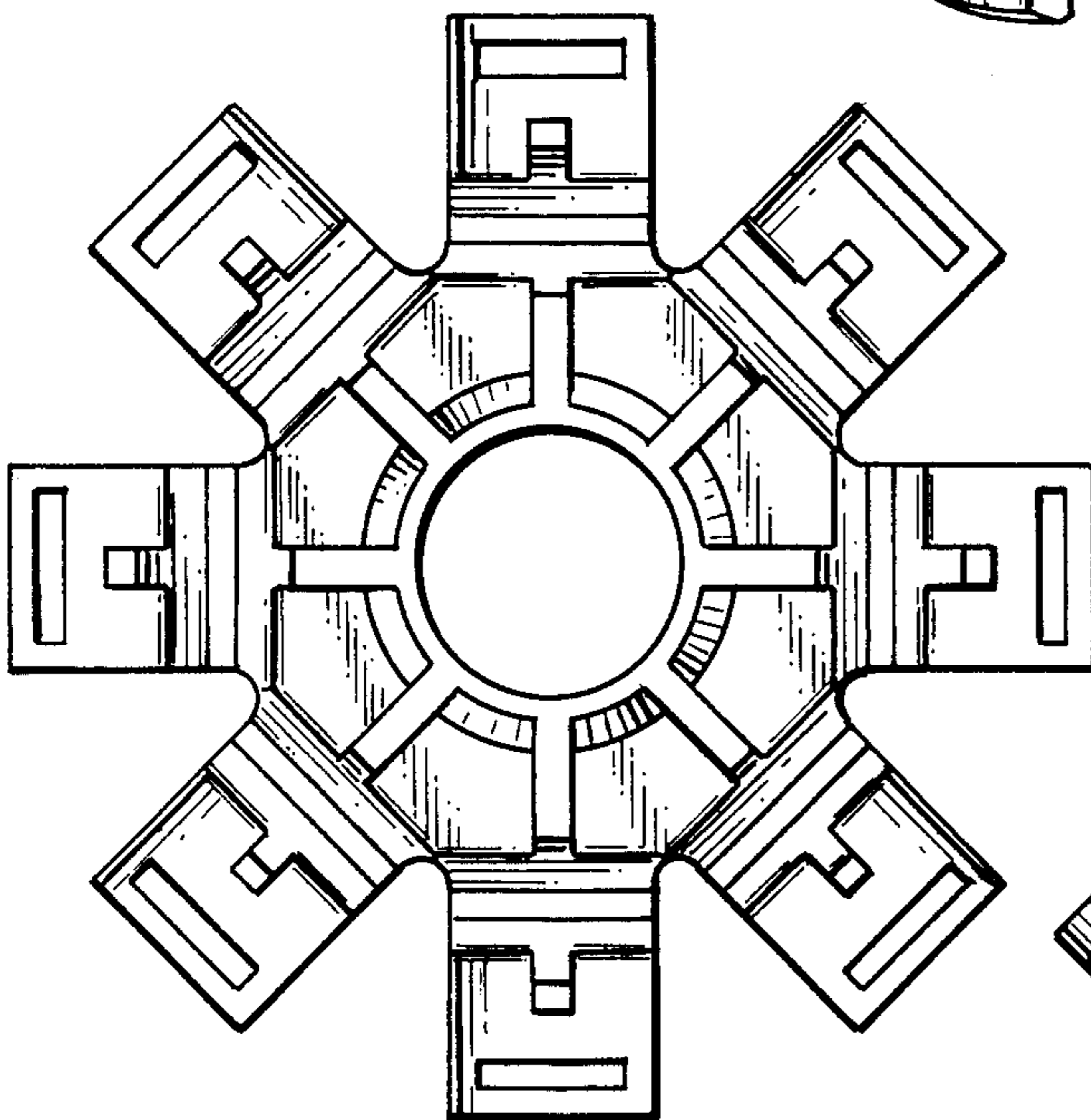


Fig.3

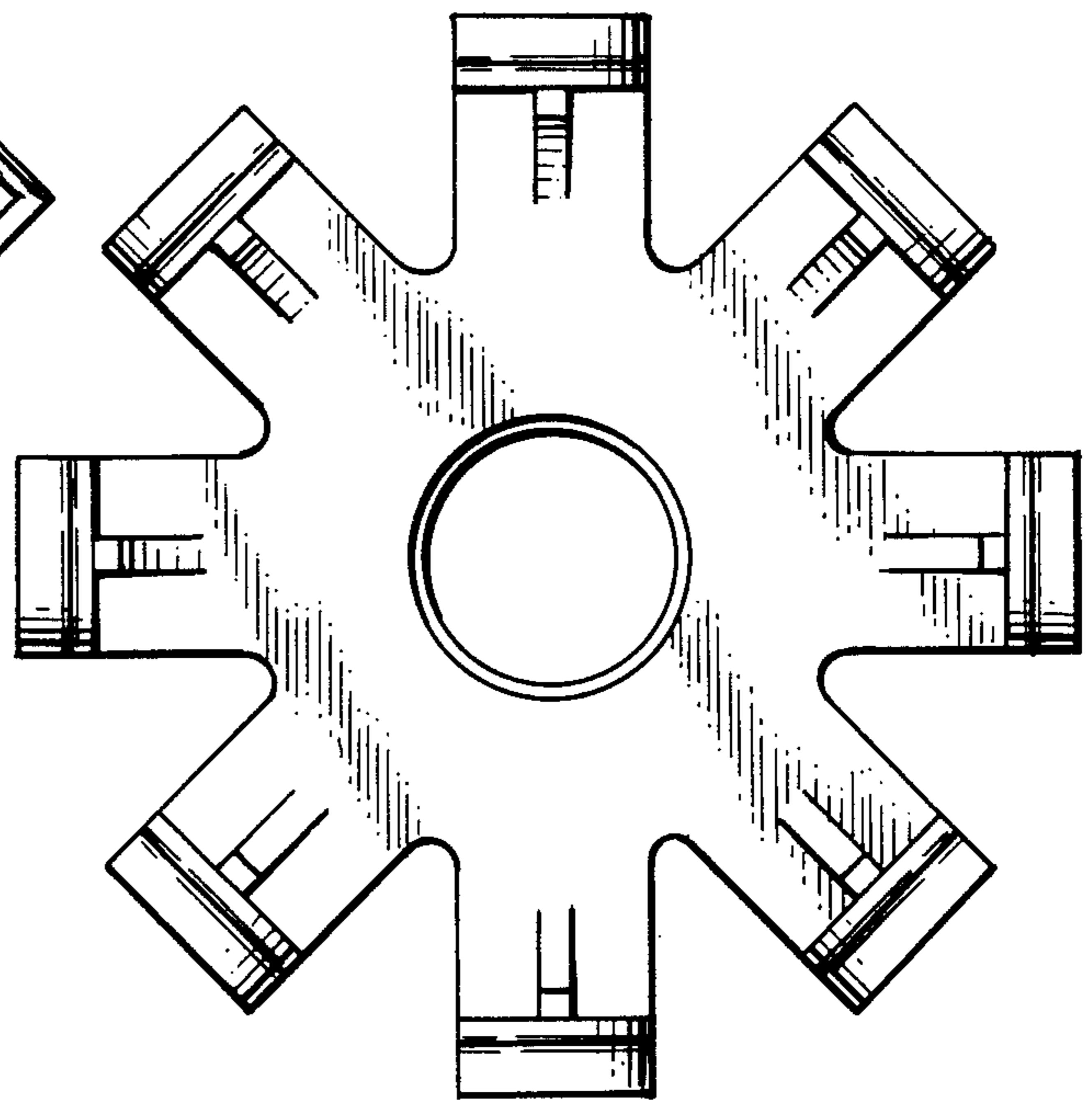


Fig.4

